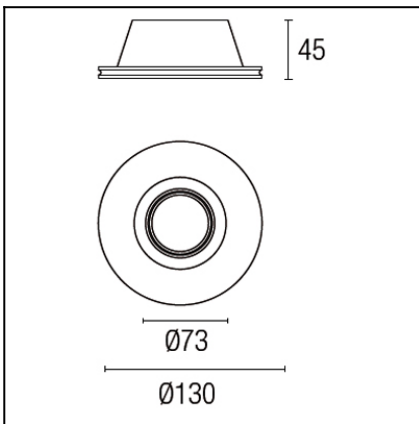




The photograph may not match the reference exactly. Please read the product description to identify the finish.



Download photometric file .ldt / .ies

TECHNICAL CHARACTERISTICS

Type:	Downlight
IP Protection degrees:	IP23
Lampholder:	1 x GU5.3
Power (W):	GU5.3 35
Voltage / Frequency:	220-240V/50-60Hz
Warranty (Years):	2
Units per box:	16
Net Weight (Kg):	0.36
EAN:	8,43538E+12


MATERIALS / FINISHES

Structure material: Plaster

Structure finish: White

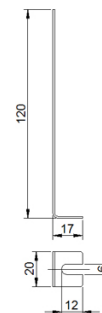
GEAR

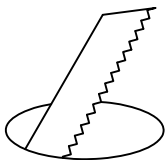
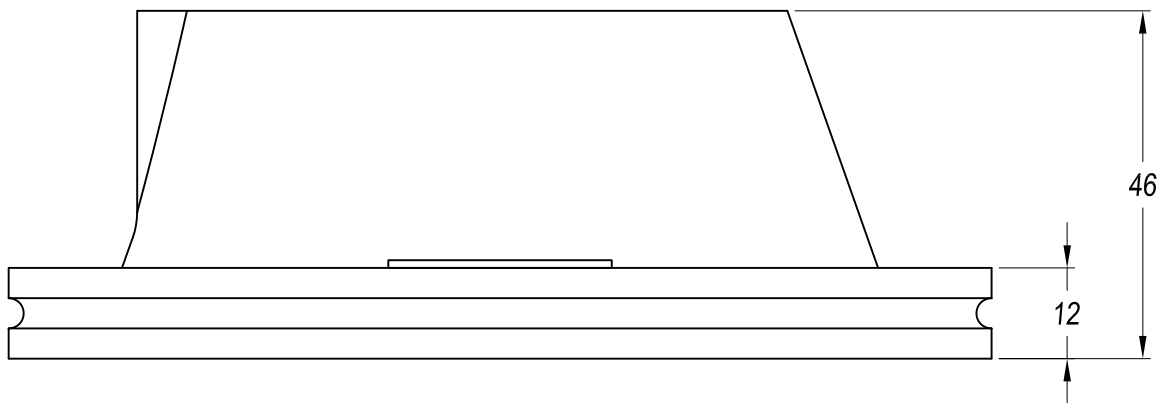
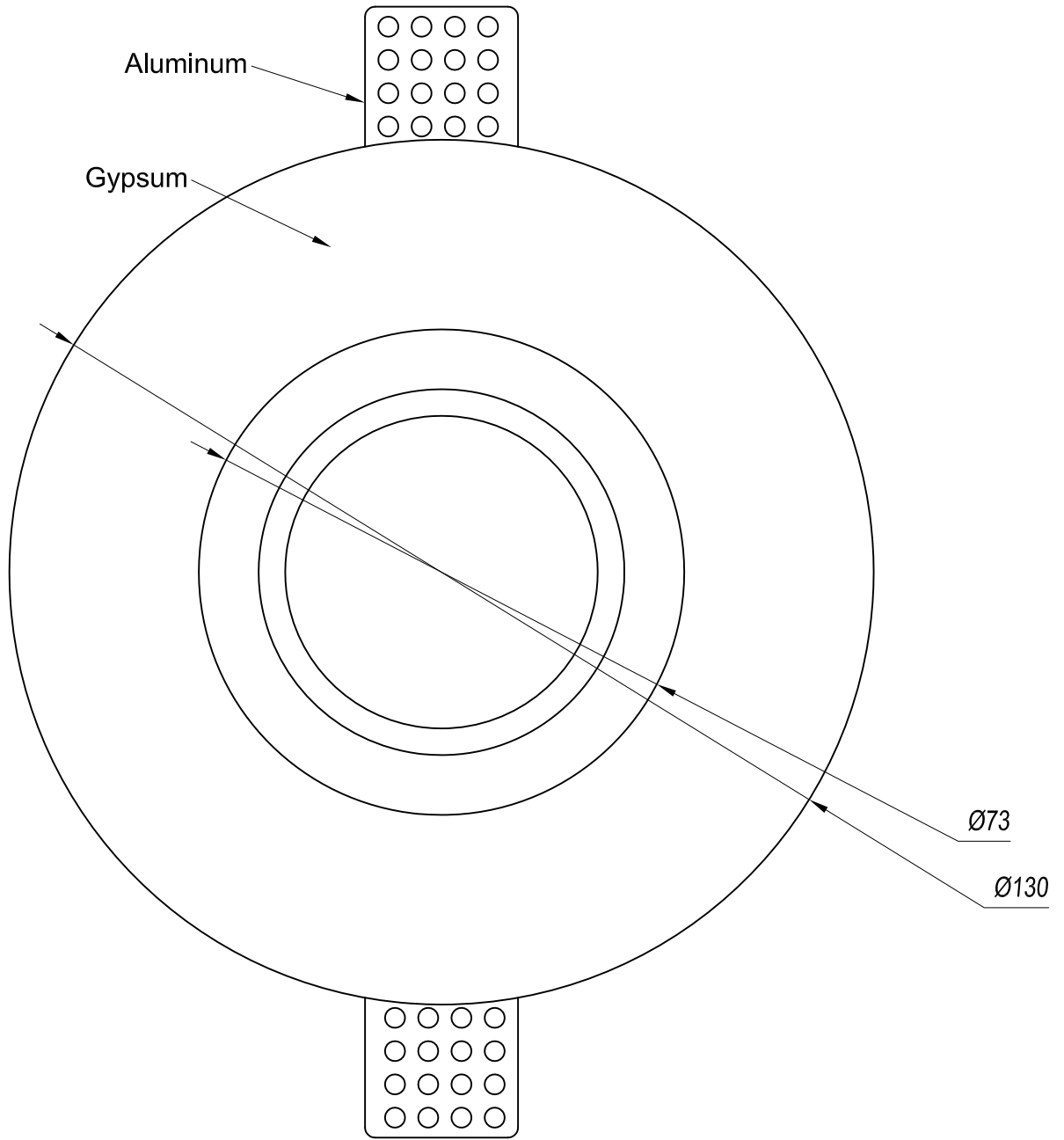
Necessary equipment not included. For more information check website / catalogs / sales organization.

71-1881-00-00



Kit for GU10 lamps

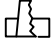




Ø135 mm

Scale 1:1

24-10-12

REF.	LAMP	SOCKET	
90-1720	QR-CBC51 MAX 35W	GX5.3	Ø135mm
90-1722	QR-CBC51 MAX 35W	GX5.3	125x125mm

