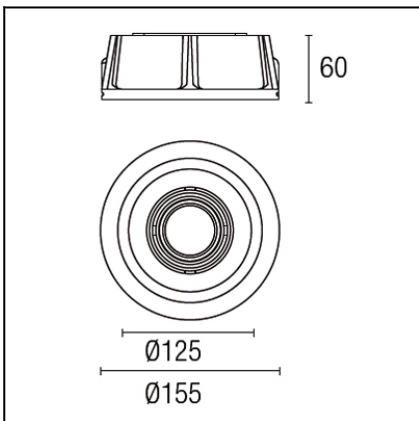




The photograph may not match the reference exactly. Please read the product description to identify the finish.



Download photometric file .ldt /.ies

### DESCRIPTION

Downlights suitable for recessed installation on ceilings. Body produced in gypsum with steel fixation clips. Suitable for halogen lamps and LED lights. Different models according to shape, rotation options and number of bulbs. Complete architecture integration with the use of thermoplastic paint. Option of including the GU10 lampholder as an accessory.

### TECHNICAL CHARACTERISTICS

Type:	Downlight
Adjustable 30°:	
IP Protection degrees:	IP23
Lampholder:	1 x GU5.3
Power (W):	GU5.3 50
Voltage / Frequency:	220-240V/50-60Hz
Warranty (Years):	2
Units per box:	12
Net Weight (Kg):	0.575
EAN:	8,43538E+12



### MATERIALS / FINISHES

**Structure material:** Plaster

**Structure finish:** White

### GEAR

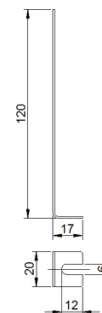
Necessary equipment not included. For more information check website / catalogs / sales organization.

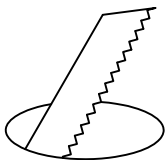
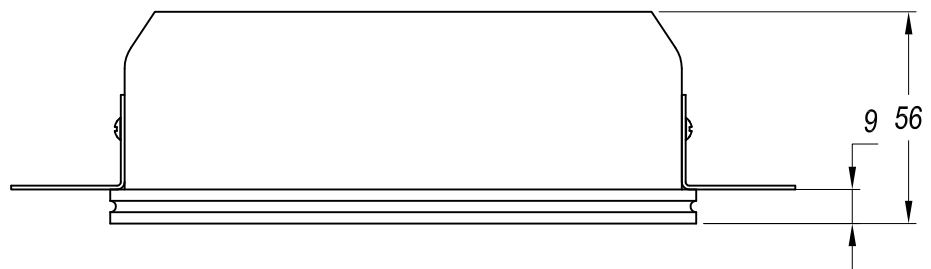
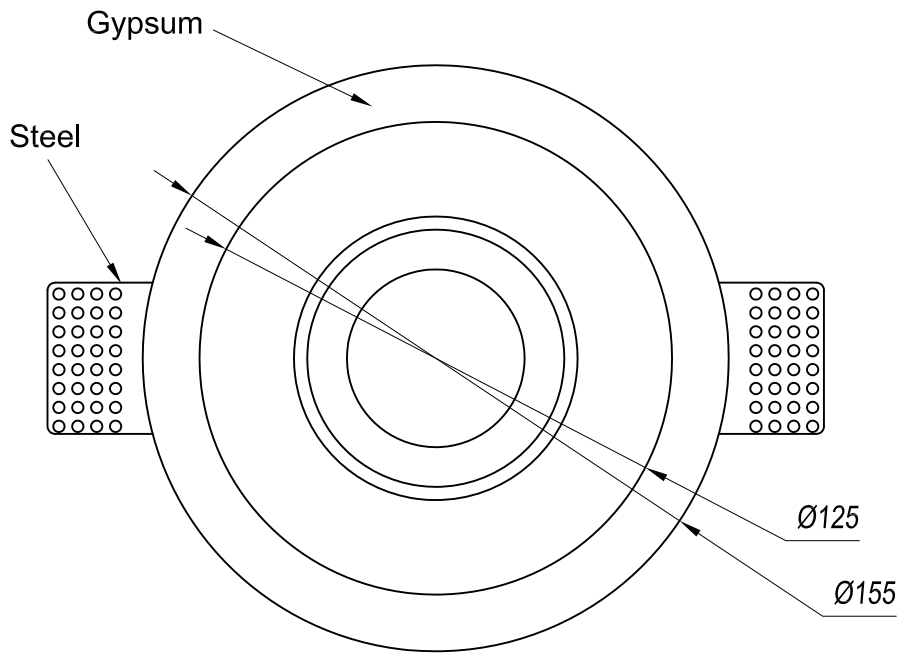
71-1881-00-00



Kit for GU10 lamps

---

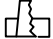




Ø160 mm

Scale 1:2

24-10-12

REF.	LAMP	SOCKET	
90-1809	QR-CBC51 MAX 35W	GX5.3	Ø160mm

