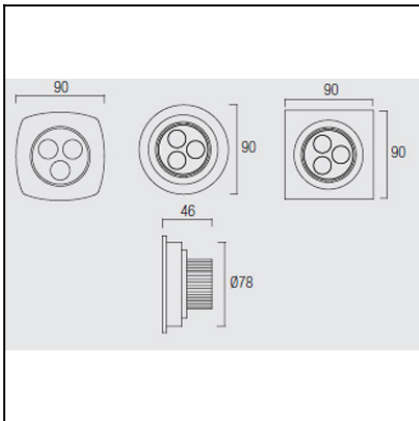




The photograph may not match the reference exactly. Please read the product description to identify the finish.

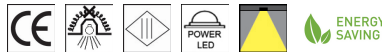


### DESCRIPTION

Adjustable downlight comprising 3 LEDs for flush mounting. Aluminium body and tubular temperature disperser produced in machined high density aluminium. Available in warm white and lenses with 15° and 40° beam aperture. Option of combining body with different shape surrounds (oval, round and square) made of grey finish aluminium. Spring mounting system.

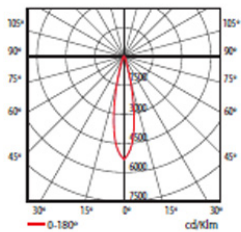
### TECHNICAL CHARACTERISTICS

Type:	Downlight
Adjustable $\pm 20^\circ$ on the horizontal axis.	
IP Protection degrees:	IP23
Bulb:	3 x LED Cree. Warm White - 3000K
Power (W):	7
Total power consumption (W):	9
CRI:	80
Angle Optiques:	15°
Voltage / Frequency:	700mA
Warranty (Years):	3
Units per box:	1
Net Weight (Kg):	0.15
EAN:	8435111072752,00



### MATERIALS / FINISHES

<b>Structure material:</b>	Brushed aluminium	<b>Diffuser material:</b> Methacrylate
	Aluminium	
	Grey	<b>Diffuser finish:</b> Transparent

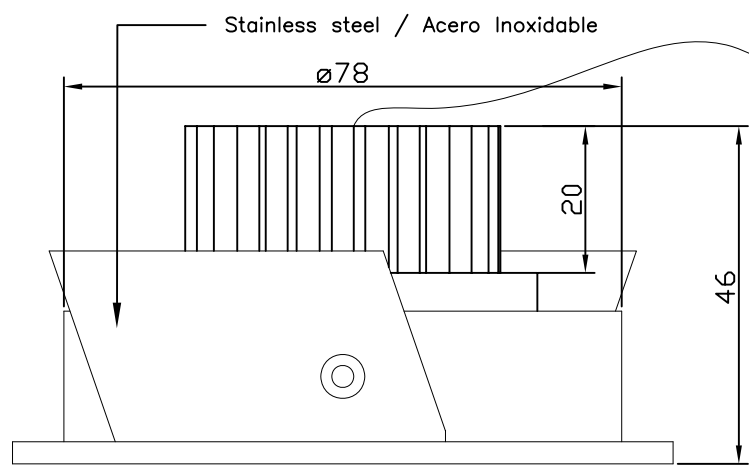
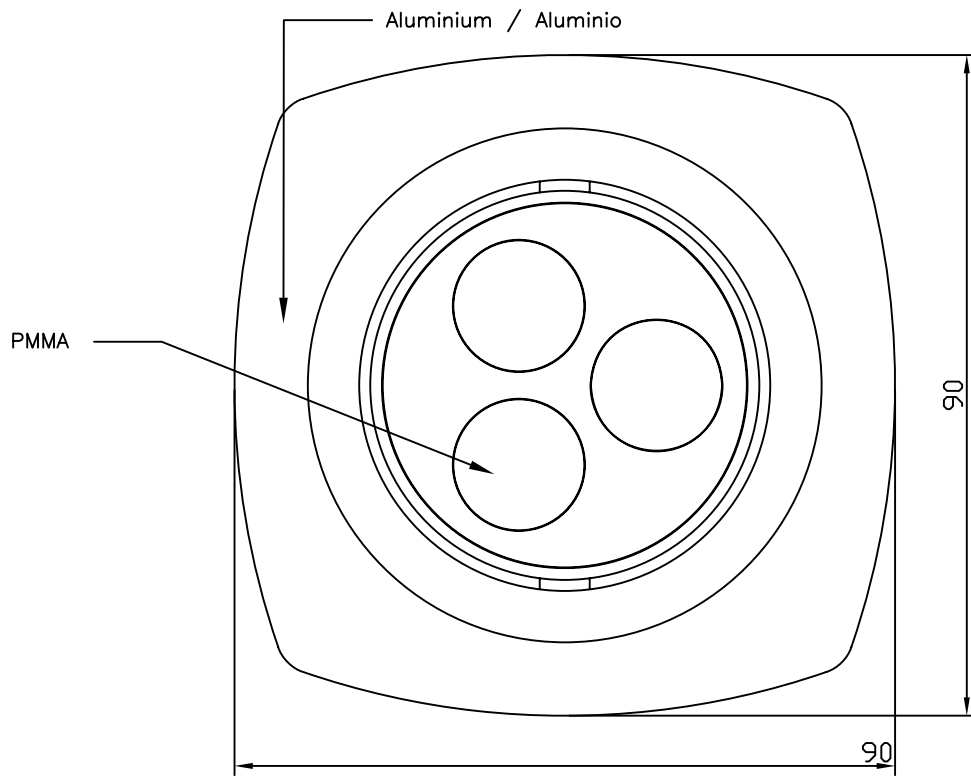


H (m)	D (m)	Emed (lux)
1	0.39	1113
2	0.77	278
3	1.16	124
4	1.55	70
5	1.94	45

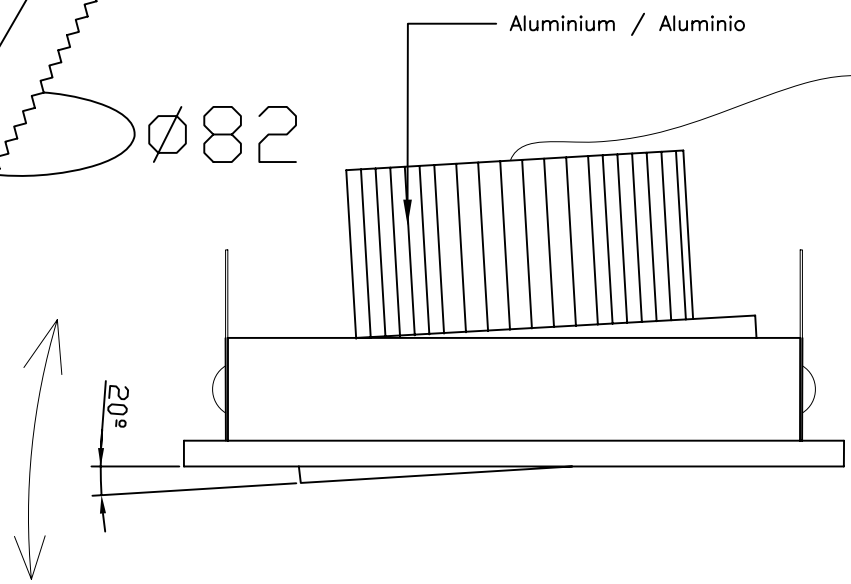
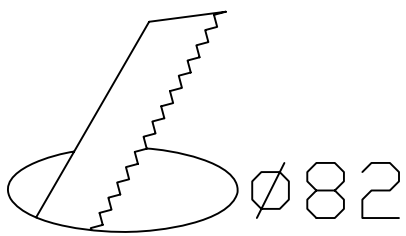
Download photometric file .ldt / .ies

### GEAR

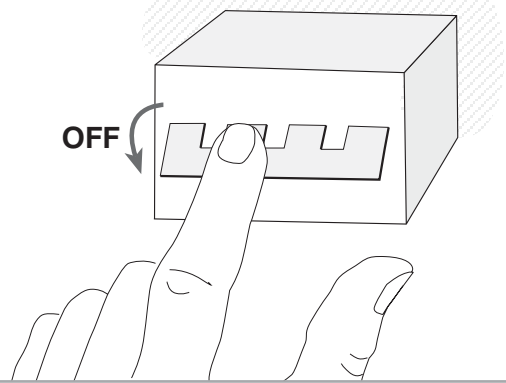
Necessary equipment not included. For more information check website / catalogs / sales organization.



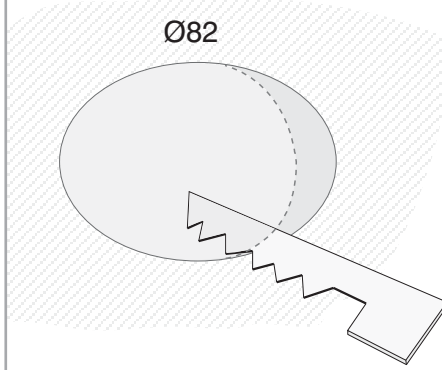
Wire / Cable  
L = 50 cm.



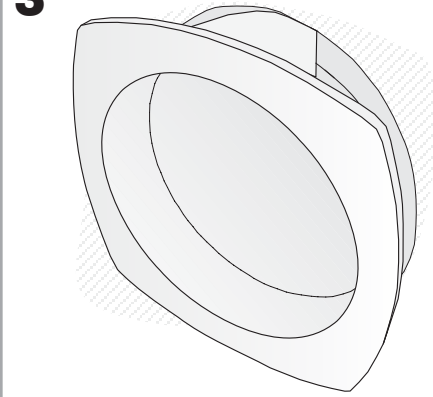
**1**



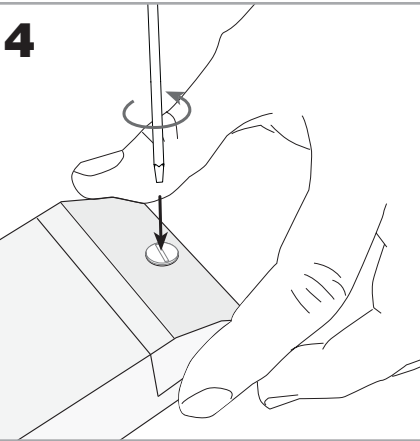
**2**



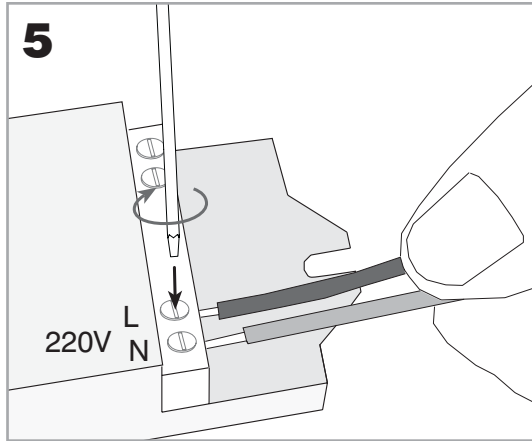
**3**



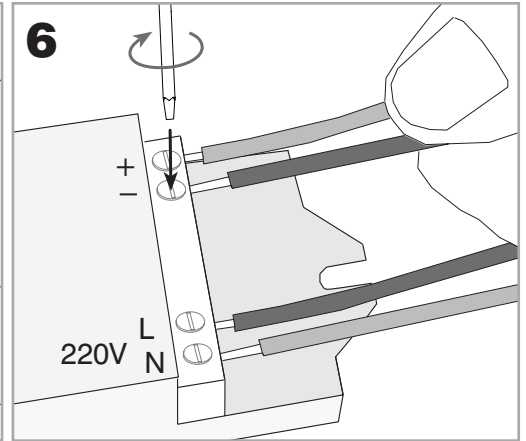
**4**



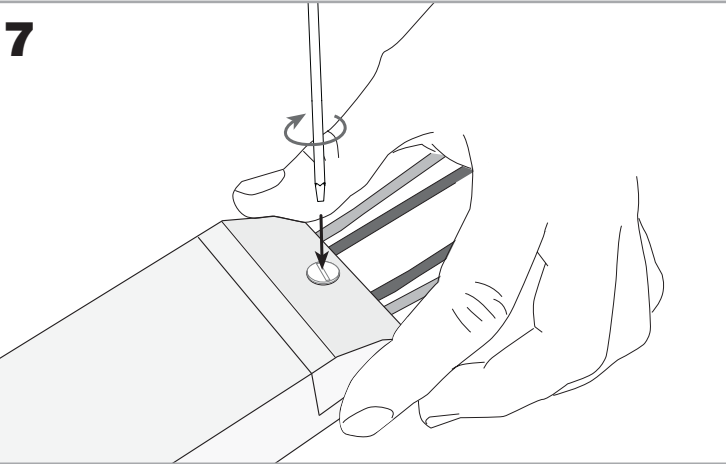
**5**



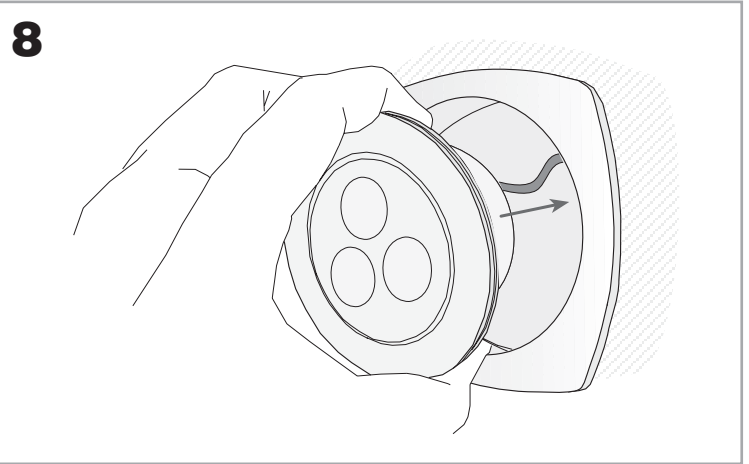
**6**



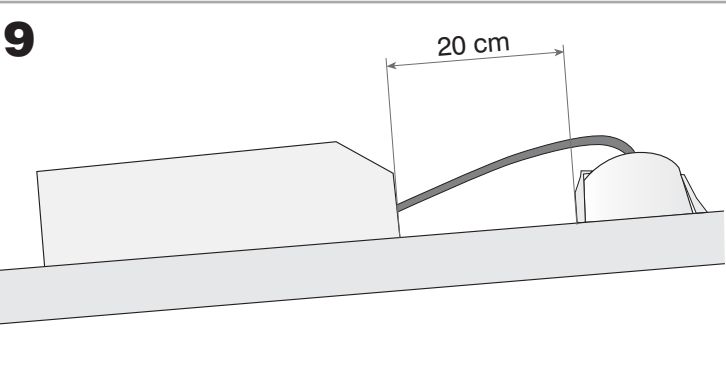
**7**



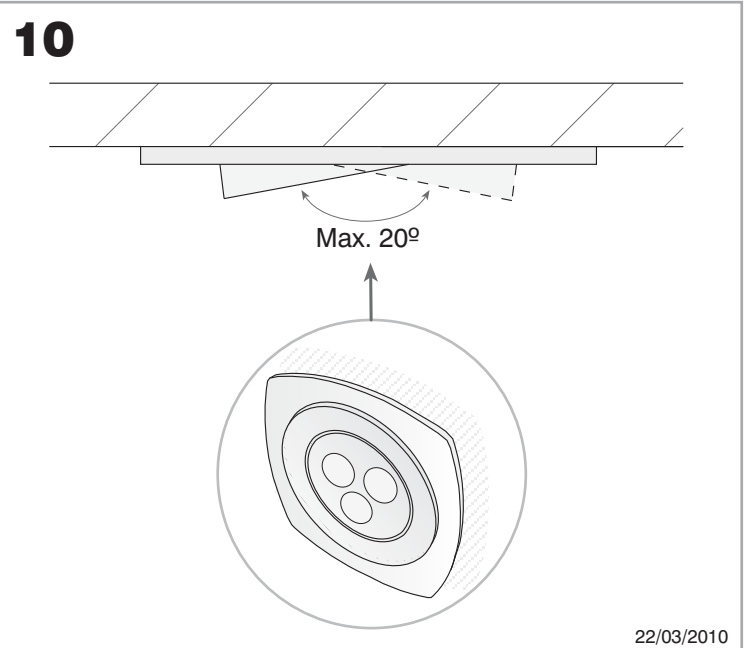
**8**



**9**



**10**



**11**

