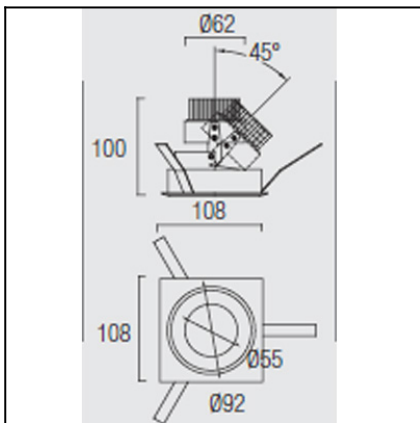




The photograph may not match the reference exactly. Please read the product description to identify the finish.

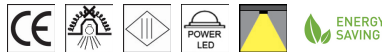


### DESCRIPTION

Group of high visual comfort LED recessed downlights. Produced in machined high grade aluminium with a PMMA lens. Includes four warm white colour temperature LEDs and one reflector with a light beam of 40°. Option of including surrounds of different shapes (round or square) and different finishes (white or grey). The orientable model can be rotated 45° vertically.

### TECHNICAL CHARACTERISTICS

Type:	Downlight
Adjustable $\pm 40^\circ$ on the horizontal axis.	
IP Protection degrees:	IP23
Bulb:	4 x LED Cree. Warm White - 3000K
Power (W):	8,8
Total power consumption (W):	12
Angle Optiques:	60°
Voltage / Frequency:	700mA
Warranty (Years):	2
Option to extend the guarantee:	Yes, 5 years
Units per box:	1
Net Weight (Kg):	0.305
EAN:	0,00



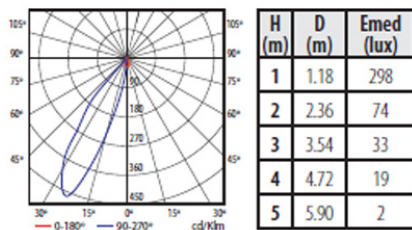
### MATERIALS / FINISHES

**Structure material:** Aluminium

**Diffuser material:** Methacrylate

**Structure finish:** White

**Diffuser finish:** Tinted



### GEAR

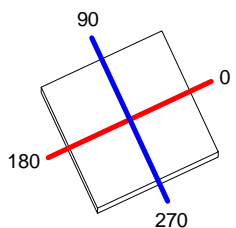
Necessary equipment not included. For more information check website / catalogs / sales organization.

Download photometric file .ldt / .ies

<b>Luminaire</b>		<b>Measur.</b>		<b>Lamp</b>		
Code	90-3456	Code	90-3456	Code	LED	
Name	LED RECESSED LIGHT	Name	LED RECESSED LIGHT	Number	4	
Line	IESNA-1995	Date	24-04-2013	Position		
Efficiency	74.98%	Coordinate system	CG	Total Flux	646.40 lm	
Maximum value	1091.25 cd	Position	C=90.00 G=1.00	Asymmetrical		
Rectangular Luminaire	Length	25 mm	Width	25 mm	Height	1 mm
Rectangular Luminous Area	Length	25 mm	Width	25 mm	Height	0 mm
Horizontal Luminous Area	0.000625 m2	Emitting area on Plane 180°		0.000000 m2		
Emitting area on Plane 0°	0.000000 m2	Emitting area on Plane 270°		0.000000 m2		
Emitting area on Plane 90°	0.000000 m2	Glare area at 76°		0.000151 m2		
Symmetry Type	Asymmetrical	Maximum Gamma Angle		90		
Measurement Distance	0.00	Measurement Flux		646.40 lm		
Operator		Source voltage				
Temperature	25.00 °C	Source current				
Humidity	60.00 %	Photocell				
Notes						

Luminaire Lamps						
Line	Code	Name	Flux [lm]	Pow. [W]	Q.ty	
IESNA-1995	LED	XB-D/7C1-Q3 - 2.20 W	161.60	2.20	4	
C.I.E.	91 96 99 100 75	D DIN 5040		A60		
F UTE	0.75 A	B NBN		BZ 1		

25mm x 25mm



**C Halfplanes**

180.0 — 0.0 (Red line)

270.0 — 90.0 (Blue line)

ULOR 0.00 %

DLOR 74.98 %

RN 0.00 %

