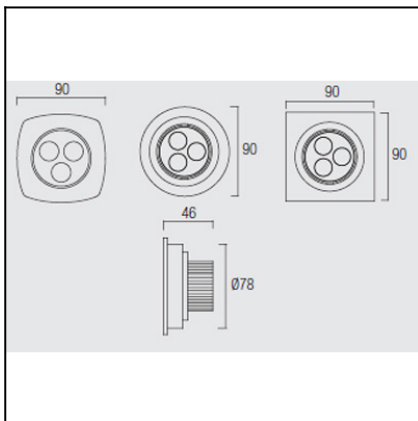




The photograph may not match the reference exactly. Please read the product description to identify the finish.

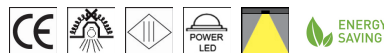


DESCRIPTION

Adjustable downlight comprising 3 LEDs for flush mounting. Aluminium body and tubular temperature disperser produced in machined high density aluminium. Available in warm white and lenses with 15° and 40° beam aperture. Option of combining body with different shape surrounds (oval, round and square) made of grey finish aluminium. Spring mounting system.

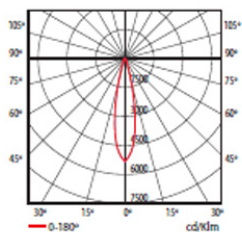
TECHNICAL CHARACTERISTICS

| | |
|---|----------------------------------|
| Type: | Downlight |
| Adjustable $\pm 20^\circ$ on the horizontal axis. | |
| IP Protection degrees: | IP23 |
| Bulb: | 3 x LED Cree. Warm White - 3000K |
| Power (W): | 7 |
| Total power consumption (W): | 9 |
| Luminous efficacy (Lm/W): | 80,6 |
| Angle Optiques: | 40° |
| Voltage / Frequency: | 700mA |
| Warranty (Years): | 2 |
| Units per box: | 1 |
| Net Weight (Kg): | 0.185 |
| EAN: | 8435111085912 |



MATERIALS / FINISHES

| | | | |
|----------------------------|-------------------|---------------------------|--------------|
| Structure material: | Brushed aluminium | Diffuser material: | Methacrylate |
| | Aluminium | | |
| | Grey | | |



| H (m) | D (m) | Emed (lux) |
|-------|-------|------------|
| 1 | 0.39 | 1113 |
| 2 | 0.77 | 278 |
| 3 | 1.16 | 124 |
| 4 | 1.55 | 70 |
| 5 | 1.94 | 45 |

Download photometric file .ldt / .ies

GEAR

Necessary equipment not included. For more information check website / catalogs / sales organization.

