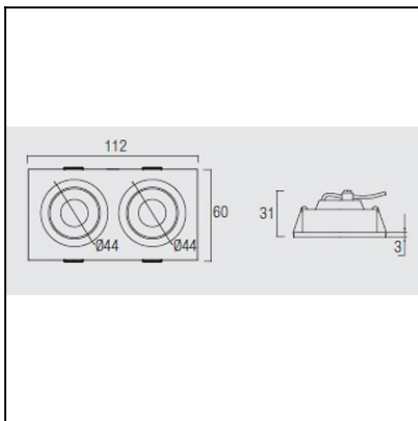




The photograph may not match the reference exactly. Please read the product description to identify the finish.

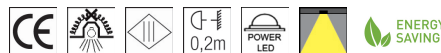


DESCRIPTION

Tilting LED suitable for recess installation on ceilings or walls. Produced in machined high grade aluminium with a PMMA lens. Finished in anodised aluminium with inner ring and outer surround in brushed aluminium. Colour temperature available in warm white. Can be rotated through a 40° vertical angle. Includes a set of interchangeable optical components for a range of different lighting focuses.

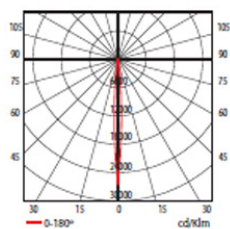
TECHNICAL CHARACTERISTICS

Type:	Downlight
Adjustable 20°:	
IP Protection degrees:	IP23
IK Protection degrees:	IK03
Bulb:	2 x LED Cree. Warm White - 3000K
Power (W):	4,6
Angle Óptiques:	15°
Voltage / Frequency:	700mA
Warranty (Years):	2
Option to extend the guarantee:	Yes, 5 years
Units per box:	100
Net Weight (Kg):	0.155
EAN:	8435111079683,00



MATERIALS / FINISHES

Structure material:	Brushed aluminium Aluminium	Diffuser material:	Methacrylate
	Grey		

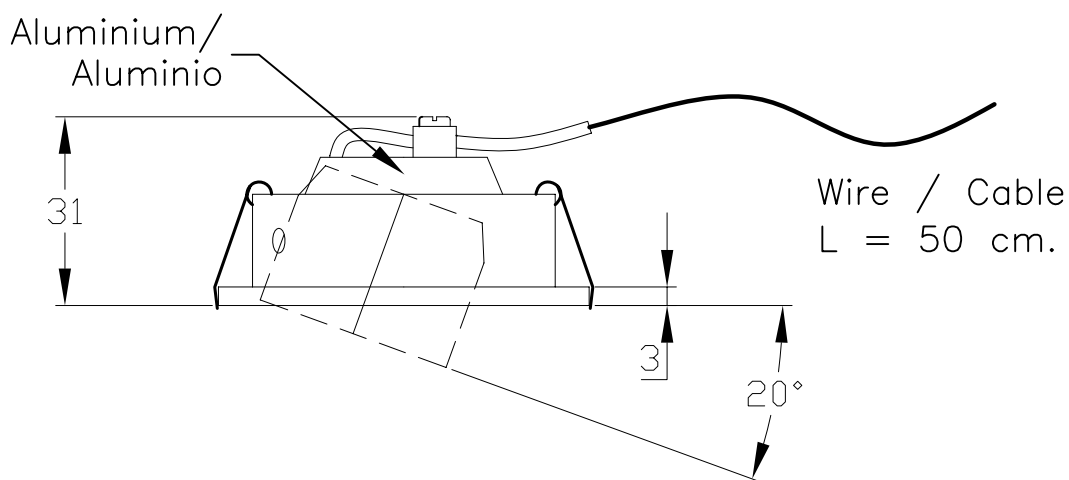
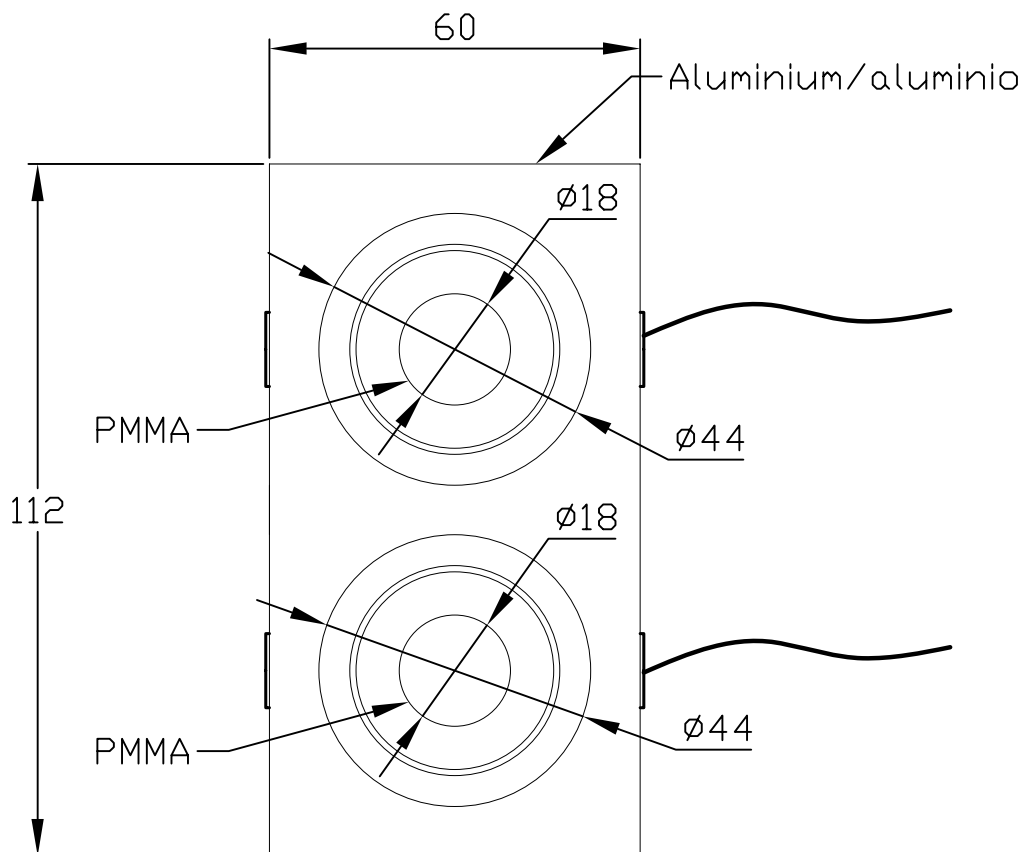


H (m)	D (m)	Emed (lux)
1	0.11	2119
2	0.23	530
3	0.34	235
4	0.46	132
5	0.57	85

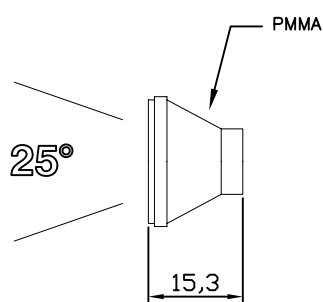
Download photometric file .ldt / .ies

GEAR

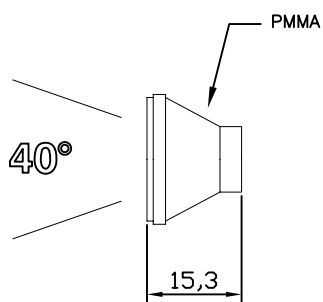
Necessary equipment not included. For more information check website / catalogs / sales organization.



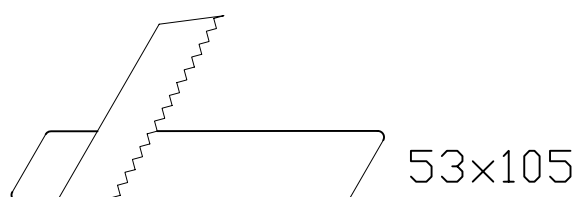
**ACCESORIOS
ACCESSORIES**



x 2



x 2





LEDS-C4

OXY

