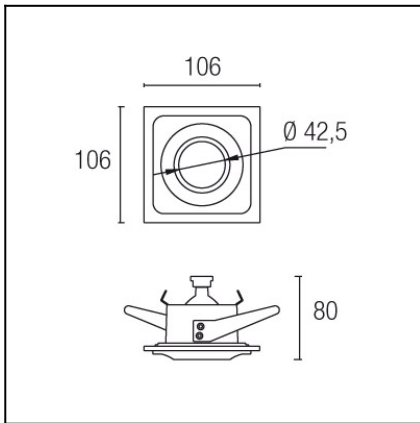


**Design by Nahtrang Design**


The photograph may not match the reference exactly. Please read the product description to identify the finish.


**TECHNICAL CHARACTERISTICS**

Type:	Uplight
IP Protection degrees:	IP65
Lampholder:	1 x GU5.3
Power (W):	GU5.3 50W
Voltage / Frequency:	12V/50Hz
Units per box:	18
Net Weight (Kg):	0.29
EAN:	8435111080337


**MATERIALS / FINISHES**
**Structure material:** Aluminium

**Diffuser material:** Glass

**Structure finish:** White

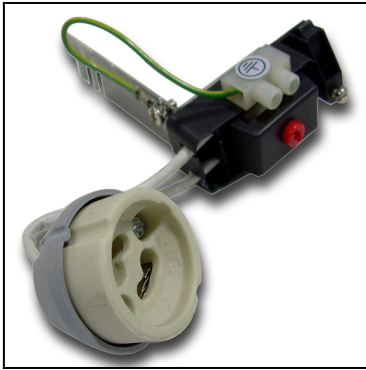
**Diffuser finish:** Satin

**GEAR**

Necessary equipment not included. For more information check website / catalogs / sales organization.

Download photometric file .ldt / .ies

71-4396-00-00



IP20

Report No.:

Test Time: 2013-04-15 10:31

## Luminaire Property

Luminaire Category: RECESSED LIGHT  
 Luminaire Manufacturer: LEDS-C4  
 Lamp Description: MR16  
 Lumens per Lamp: 274.2  
 Luminous Width (mm): -44  
 Voltage: 219.8 V  
 Power: 41.40 W

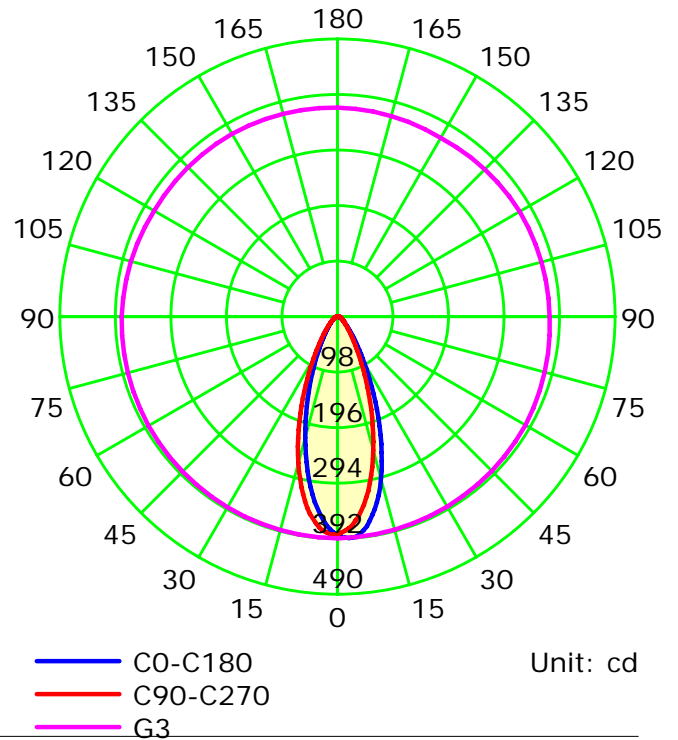
Luminaire Description: 90-4349  
 Lamp Catalog: halogen lamp  
 Number of Lamps: 1  
 Luminous Length (mm): -44  
 Luminous Height (mm):  
 Current: 0.189 A  
 Power Factor: 0.993

## Photometric Results

CIE Class: Direct  
 Measurement Flux: 233.1 lm  
 Downward Ratio: 85.02%  
 Luminaire Efficacy Rating (LER): 6  
 Max. Intensity: 391.24 cd

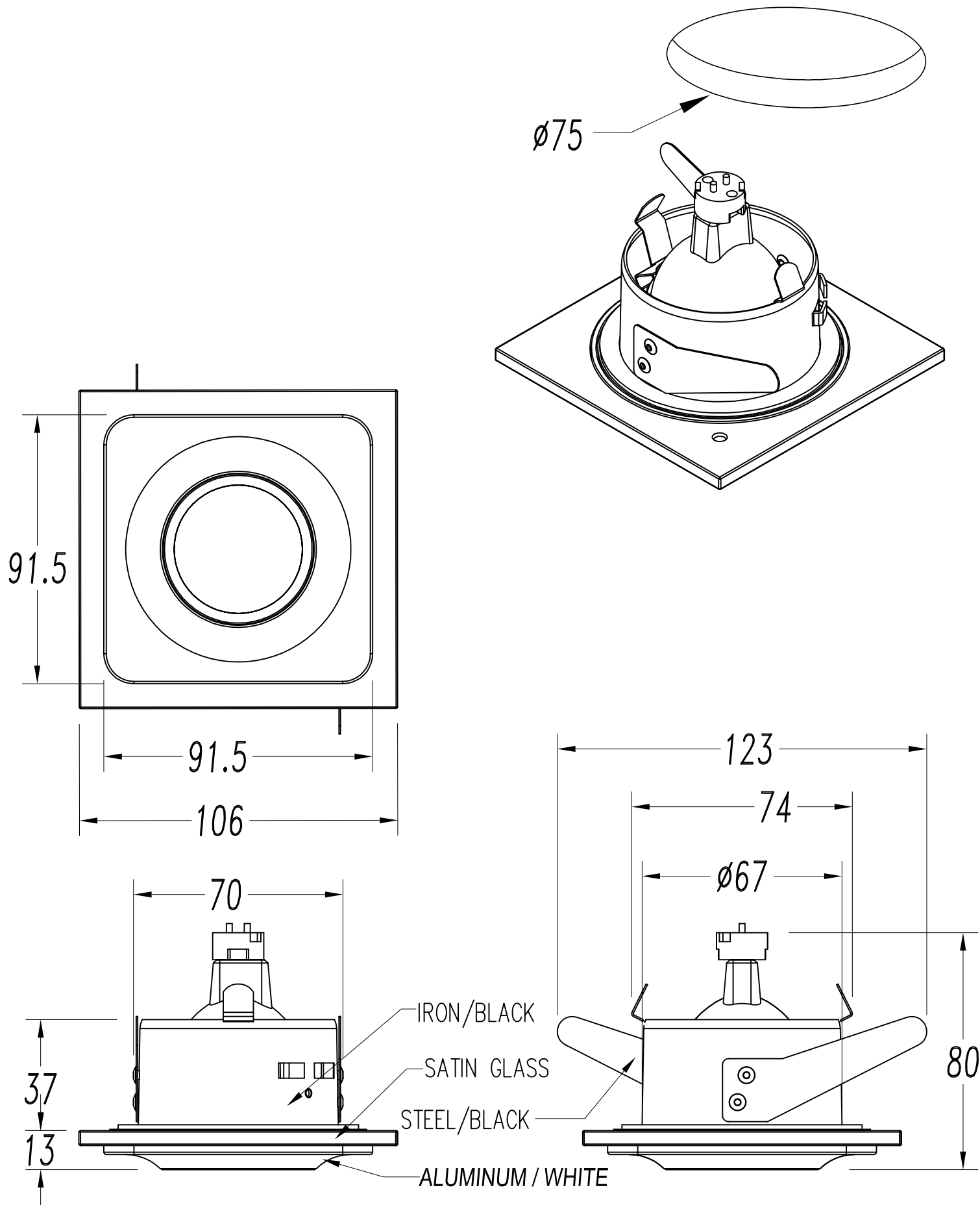
Total Rated Lamp Lumens: 274.2 lm  
 Efficiency: 85.02%  
 Upward Ratio: 0.00%  
 Central Intensity: 386.19 cd  
 Pos of Max. Intensity: H0 V3

Luminous Intensity Distribution Curve

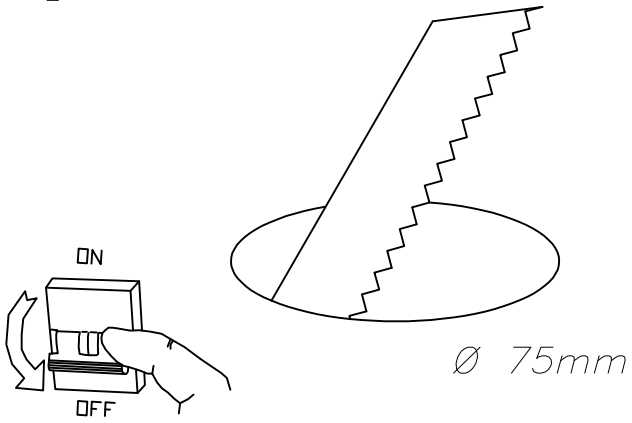


Test Lab: LEDS-C4  
 Test Type: TYPE C  
 Temperature: 25.4  
 Operator:

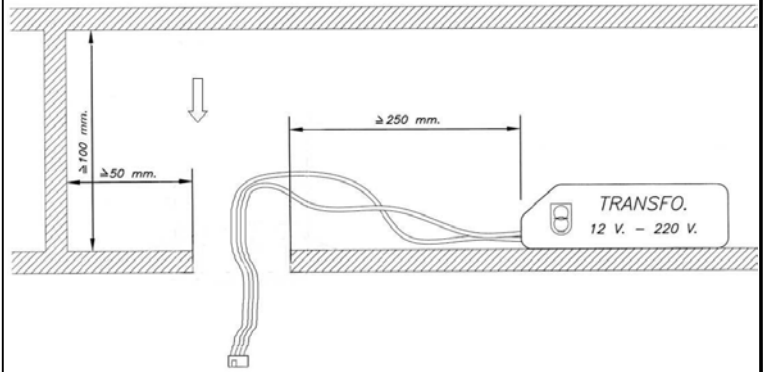
Test Device: GPM-1800  
 Distance: 10.158 m  
 Humidity: 64  
 Inspector:



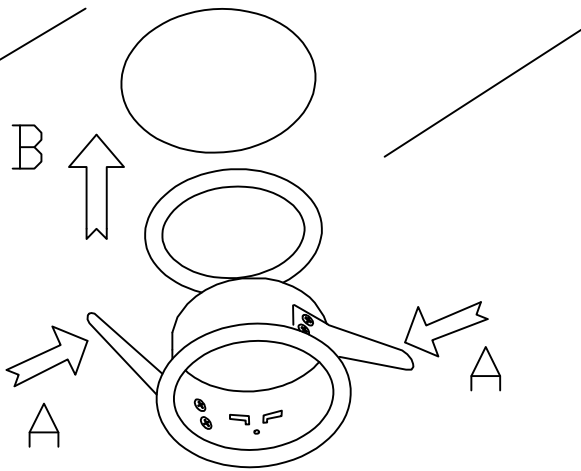
**1**



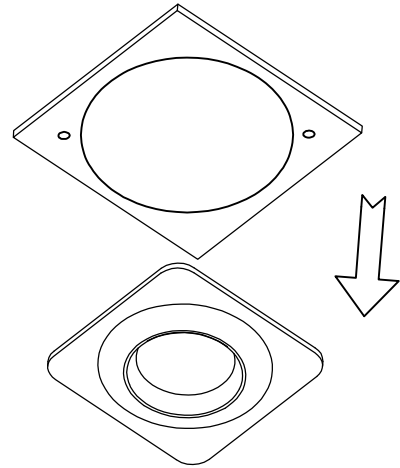
**2**



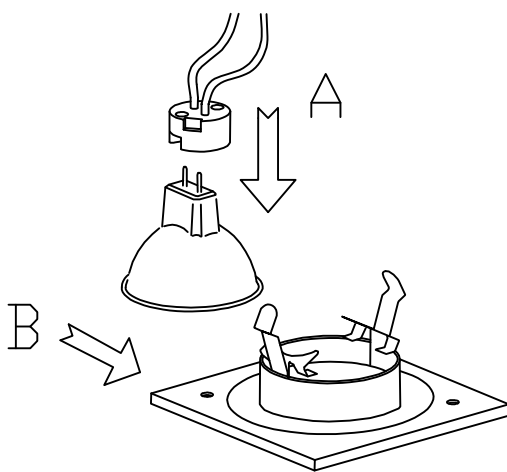
**3**



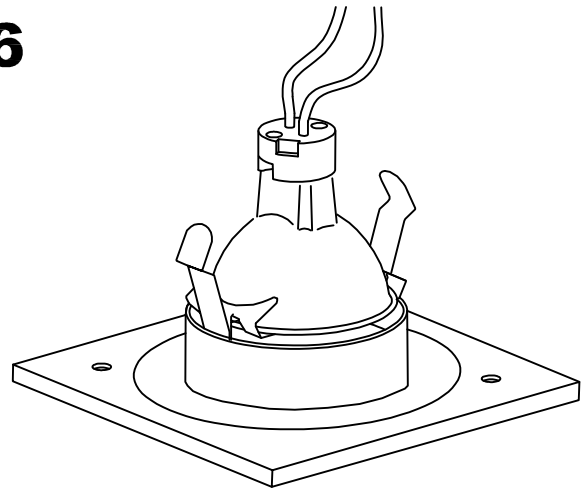
**4**



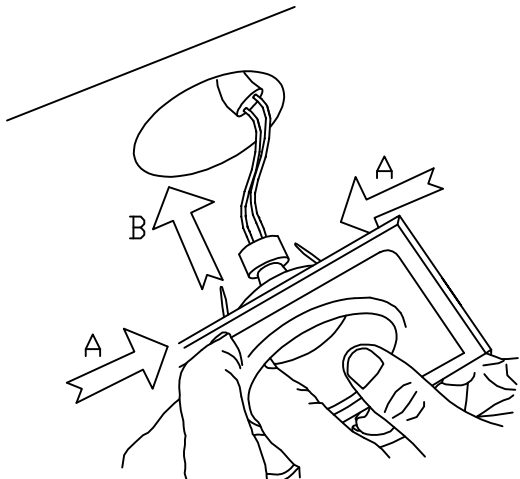
**5**



**6**



**7**



**8**

