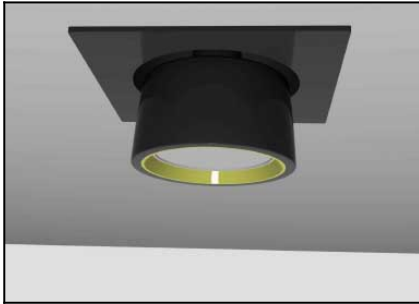
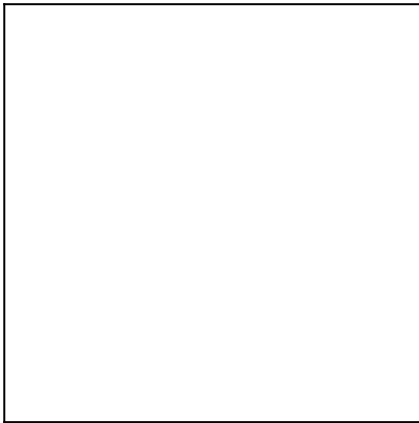


Design by Nahtrang Design


The photograph may not match the reference exactly. Please read the product description to identify the finish.



Download photometric file .ldt / .ies

TECHNICAL CHARACTERISTICS

Type:	Downlight
IP Protection degrees:	IP23
Lampholder:	1 x GU5.3
Power (W):	GU5.3 MAX 50 W
Voltage / Frequency:	12V/50Hz
Warranty (Years):	2
Units per box:	18
Net Weight (Kg):	0.3
EAN:	8435111073537,00


MATERIALS / FINISHES

Structure material: Steel
Aluminium

Structure finish: Black

GEAR

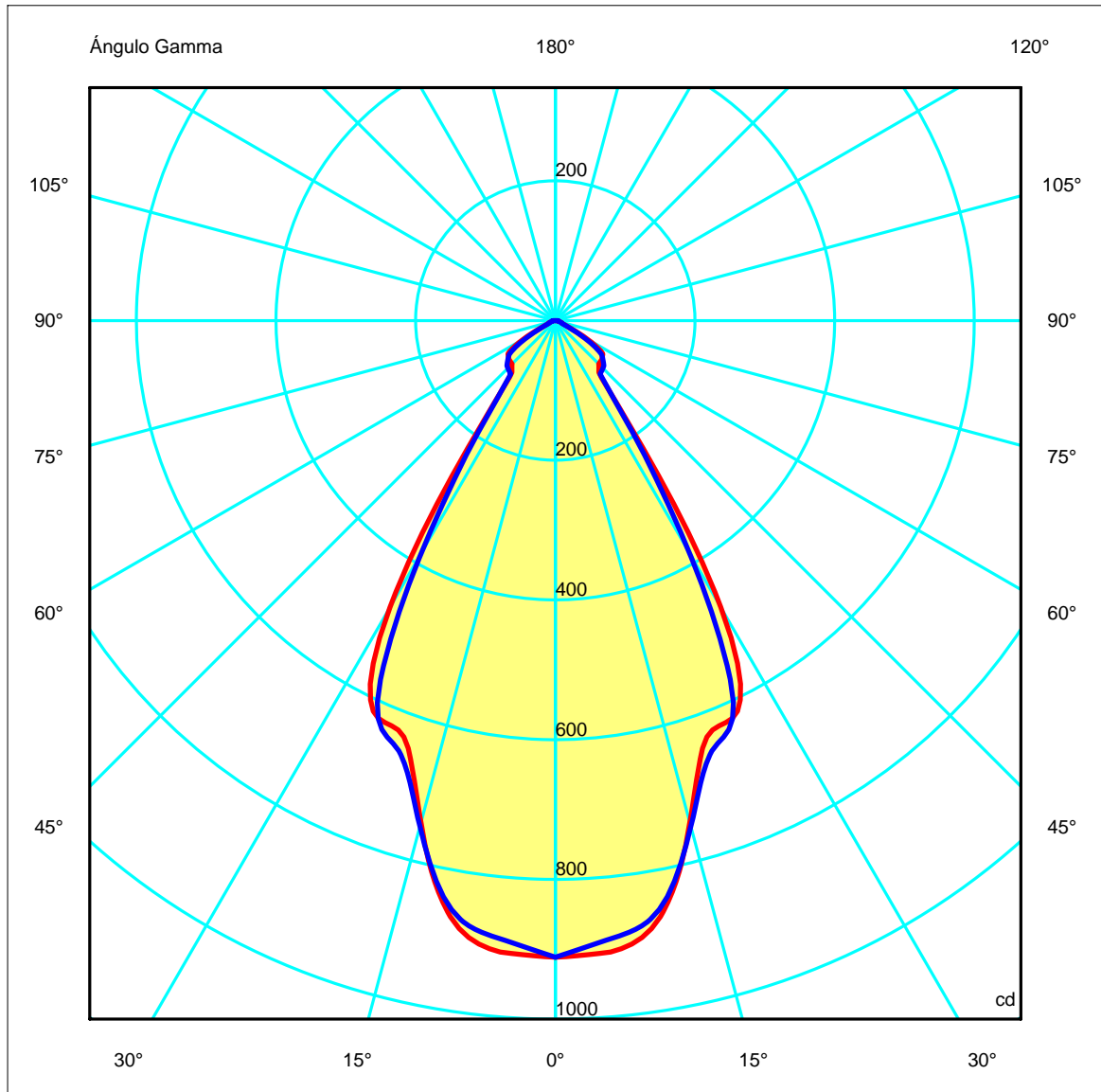
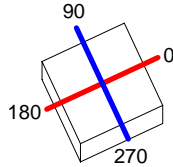
Necessary equipment not included. For more information check website / catalogs / sales organization.

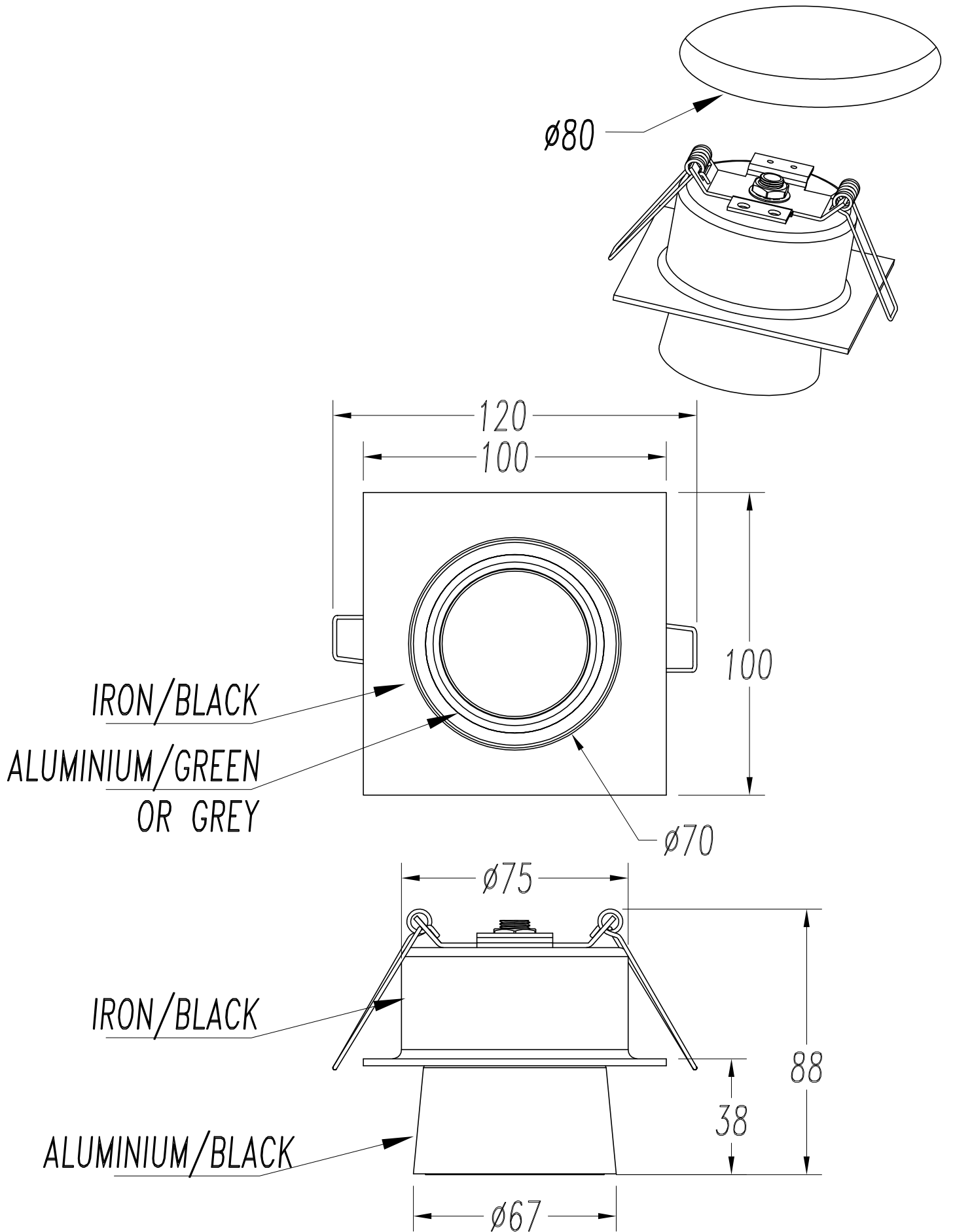
Luminaria		Ensayo		Lámpara	
Código	90-4350-05-05	Código	90-4350-05-05	Código	46870VWFL
Nombre	Downlight 1x50W GU5.3	Nombre	Downlight 1x50W 12V GU5.3	Número	1
Familia	- LEDS-C4	Fecha	12-02-2010	Posición	Universal
Eficiencia	100.00%	Sist. de Coorden.	C-G	Flujo Total	857.00 lm
Valor Máximo	914.06 cd	Posición	C=15.00 G=5.00	Bisimétrico	

100mm x 100mm

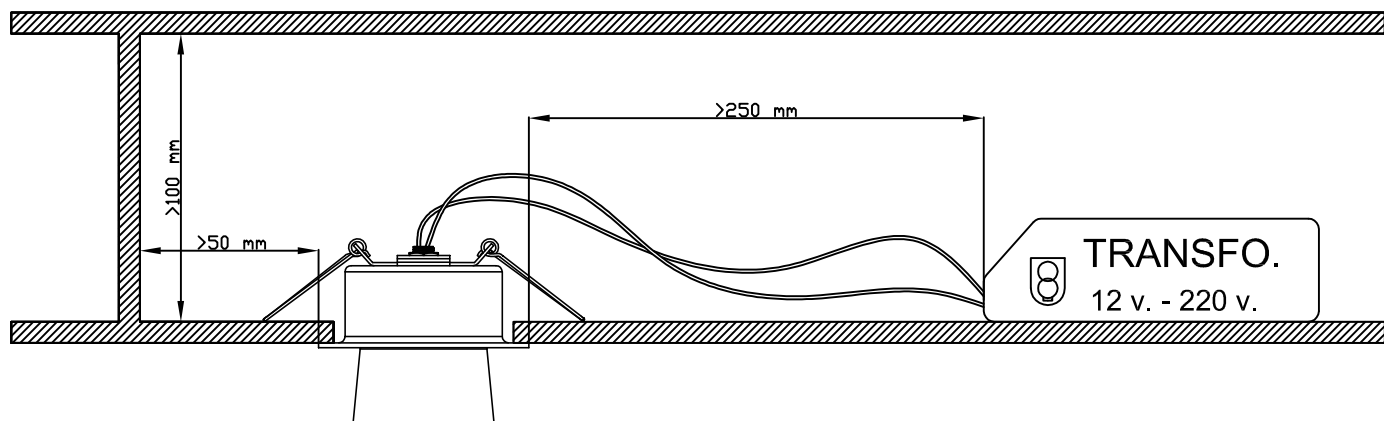
Semiplanos C

180.0 ——— 0.0
 270.0 ——— 90.0

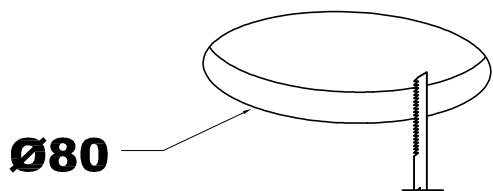
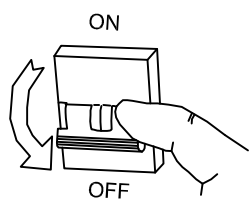




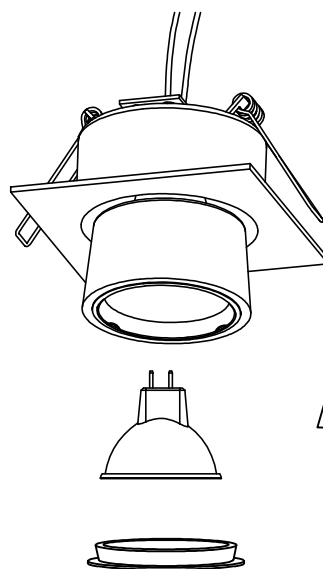
1



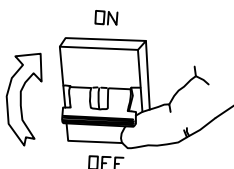
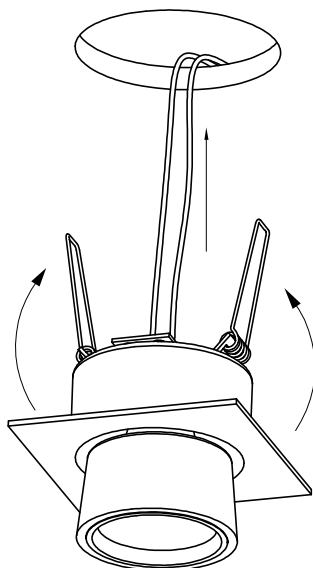
2



3



4



5

