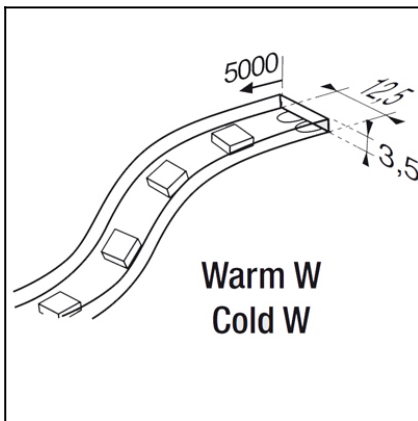




The photograph may not match the reference exactly. Please read the product description to identify the finish.

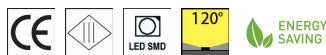


DESCRIPTION

Flexible 5 metre 24V LED strip light, with high IP for indoor use, also in wet conditions. Produces a beam angle of 120°. Available in three versions: warm white, cool white and RGB. The white light versions have a wattage of 24W (4.8W/m) and 300 LEDs (60 LEDs/m). The RGB version has a wattage of 36W (7.2W/m) and has 150 LEDs (30 LEDs/m). It enables up to 20 metres to be connected and the possibility of cutting the strip every 6 LEDs (white version) or 5 LEDs (RGB version). It includes an accessories kit for connecting the strips while maintaining its watertightness. Option to install the strip in different aluminium sections to increase protection and/or visual comfort.

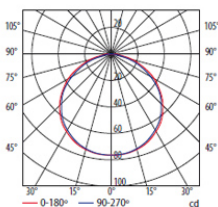
TECHNICAL CHARACTERISTICS

Type:	Led strip
IP Protection degrees:	IP65
Bulb:	300 x LED. Cold White - 6000K
Power (W):	24
Total power consumption (W):	24
CRI:	75
Voltage / Frequency:	24 VDC
Warranty (Years):	3
Option to extend the guarantee:	Yes, 5 years
Units per box:	75
Net Weight (Kg):	0.25
EAN:	8435111090206,00



91-0171-00-00 LED

Blanco frio / Cold white



H (m)	D (m)	Emed (lux)
1	3.39	17
2	6.77	4
3	10.16	2
4	13.54	1

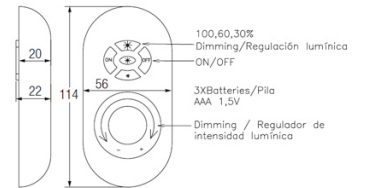
MATERIALS / FINISHES

GEAR

Necessary equipment not included. For more information check website / catalogs / sales organization.

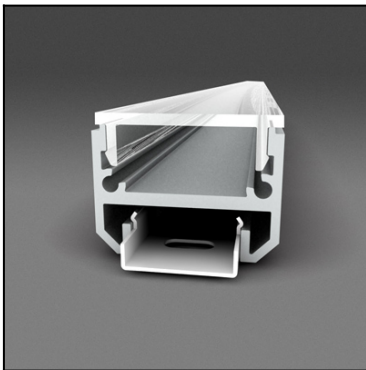
Download photometric file .ldt / .ies

71-0017-00-00



IP20

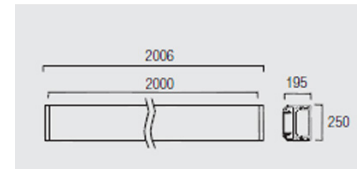
71-3454-54-M2



Structure material: Silver anodized aluminium

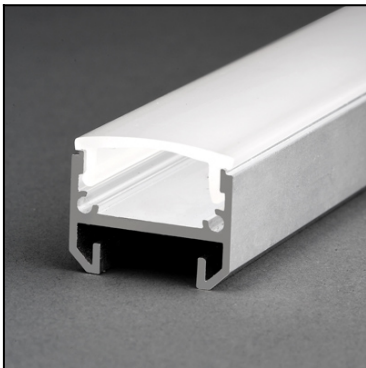
Diffuser material: UVA methacrylate

Diffuser finish: Transparent



IP20

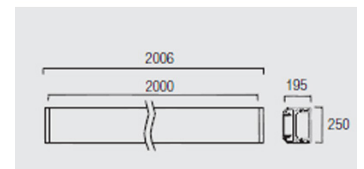
71-3454-54-M3



Structure material: Silver anodized aluminium

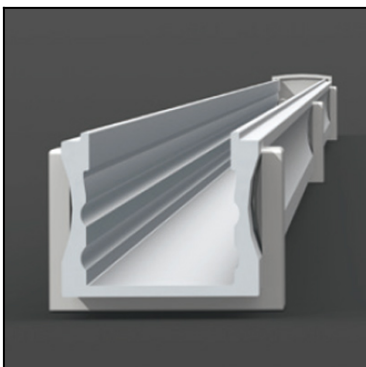
Diffuser material: UVA methacrylate

Diffuser finish: Tinted



IP20

71-0566-54-M2

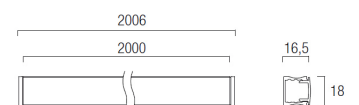


Structure material: Anodized aluminium
Methacrylate

Structure finish: Grey

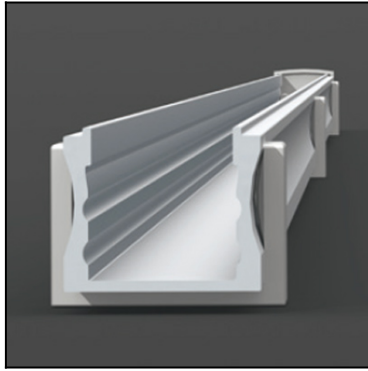
Diffuser material: Polycarbonate

Diffuser finish: Transparent



IP20

71-0566-54-M3

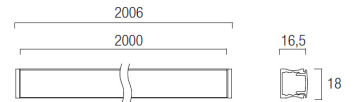


Structure material: Anodized aluminium
Methacrylate

Structure finish: Grey

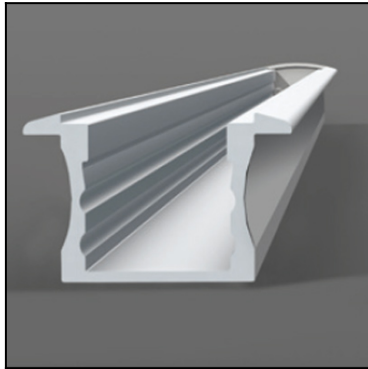
Diffuser material: Polycarbonate

Diffuser finish: Tinted



IP20

71-0580-54-M2

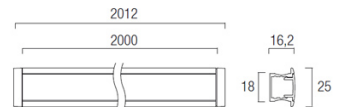


Structure material: Anodized aluminium
Methacrylate

Structure finish: Grey

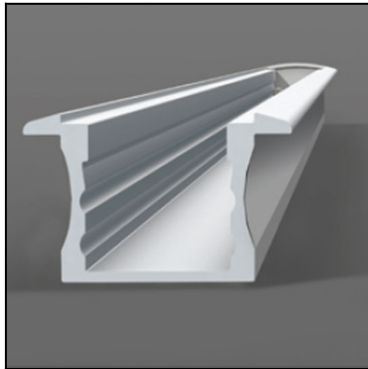
Diffuser material: Polycarbonate

Diffuser finish: Transparent



IP20

71-0580-54-M3

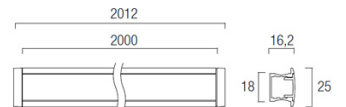


Structure material: Anodized aluminium
Methacrylate

Structure finish: Grey

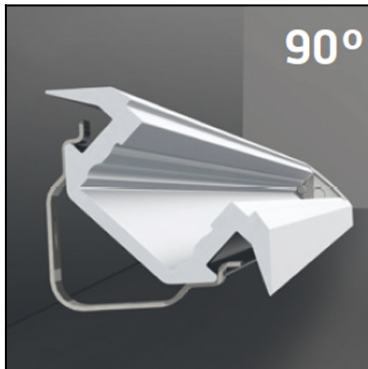
Diffuser material: Polycarbonate

Diffuser finish: Tinted



IP20

71-0593-54-M2

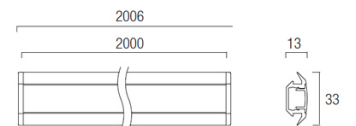


Structure material: Anodized aluminium
Methacrylate

Structure finish: Grey

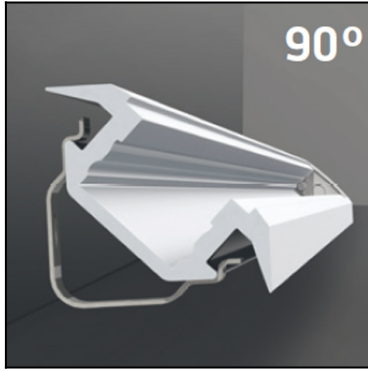
Diffuser material: Polycarbonate

Diffuser finish: Transparent



IP20

71-0593-54-M3

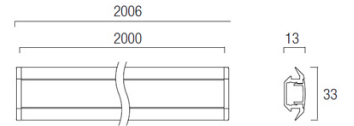


Structure material: Anodized aluminium
Methacrylate

Structure finish: Grey

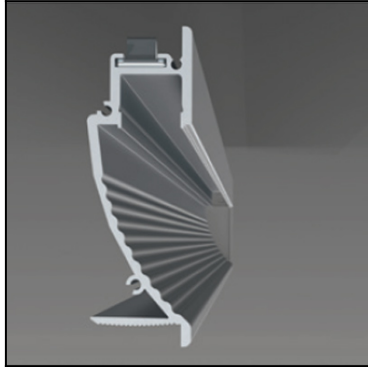
Diffuser material: Polycarbonate

Diffuser finish: Tinted



IP20

71-0594-54-M2

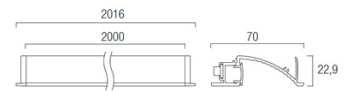


Structure material: Anodized aluminium
Methacrylate

Structure finish: Grey

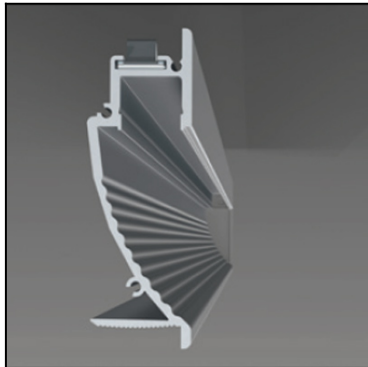
Diffuser material: Polycarbonate

Diffuser finish: Transparent



IP20

71-0594-54-M3

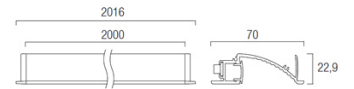


Structure material: Anodized aluminium
Methacrylate

Structure finish: Grey

Diffuser material: Polycarbonate

Diffuser finish: Tinted

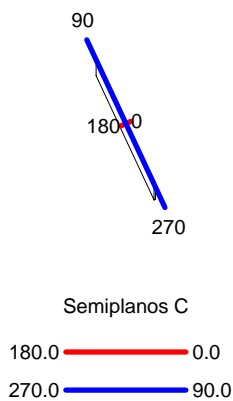


IP20

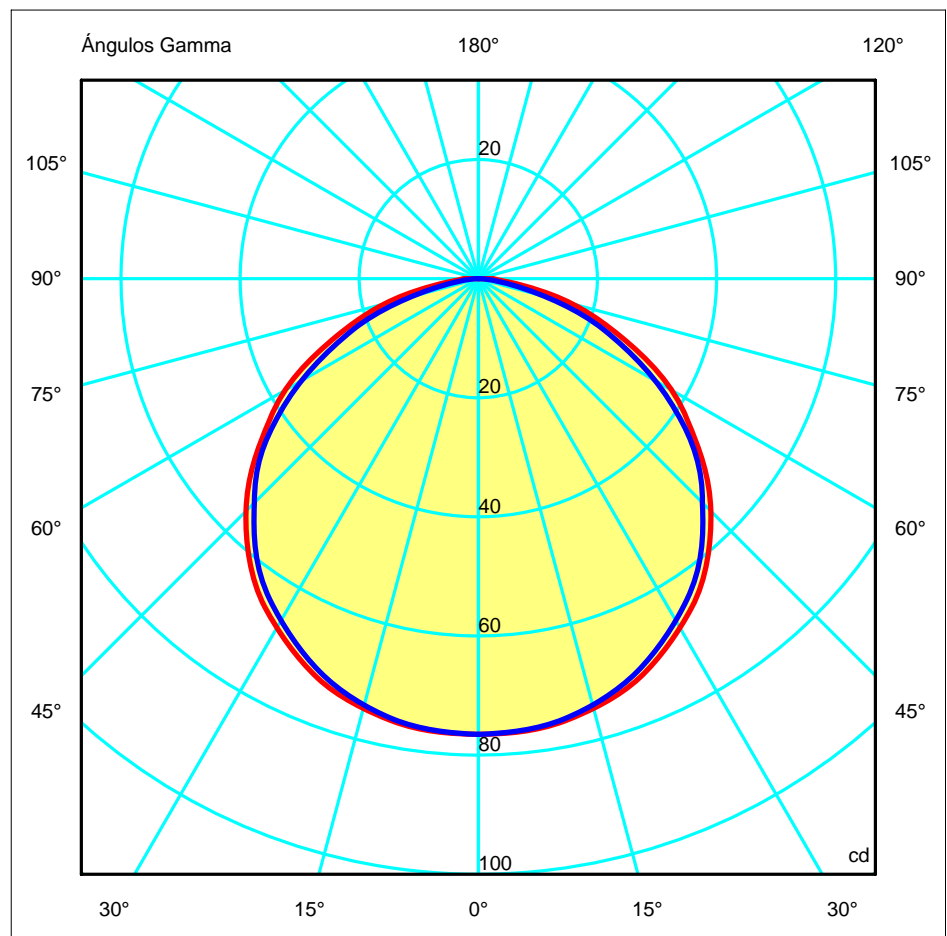
Luminaria		Ensayo		Lámpara	
Código	91-0171	Código	91-0171	Código	91-0171
Nombre	ON IP ECO CW	Nombre	ON IP ECO CW	Número	1
Familia	- LEDS C4 LEDS	Fecha	14-12-2011	Posición	Universal
Rendimiento	100.00%	Sist. de Coordin.	C-G	Flujo Total	222.20 lm
Valor Máximo	76.49 cd	Posición	C=0.00 G=0.00	Bisimétrico	
Flujo Rectangular	Longit. 1000 mm	Anchura	12 mm	Altura	4 mm
Área Luminosa Rectangular	Longit. 1000 mm	Anchura	4 mm	Altura	0 mm
Área Luminosa Horizontal	0.004000 m2	Área Emisión sobre Pl. 180°	0.000000 m2	Área Emisión sobre Pl. 270°	0.000000 m2
Área Emisión sobre Pl. 0°	0.000000 m2	Área de deslumbramiento a 76°	0.000968 m2		
Área Emisión sobre Pl. 90°	0.000000 m2				
Tipo de Simetría	Bisimétrico	Máximo Ángulo Gamma	90		
Distancia de Ensayo	6.44	Flujo de Ensayo	222.20 lm		
Operador	Asselum T2	Tensión de alimentación	24.00 V		
Temperatura	21.00 °C	Corr. aliment.	1.00 A		
Humedad	50.00 %	Fotocélula	PRC		
Notas					

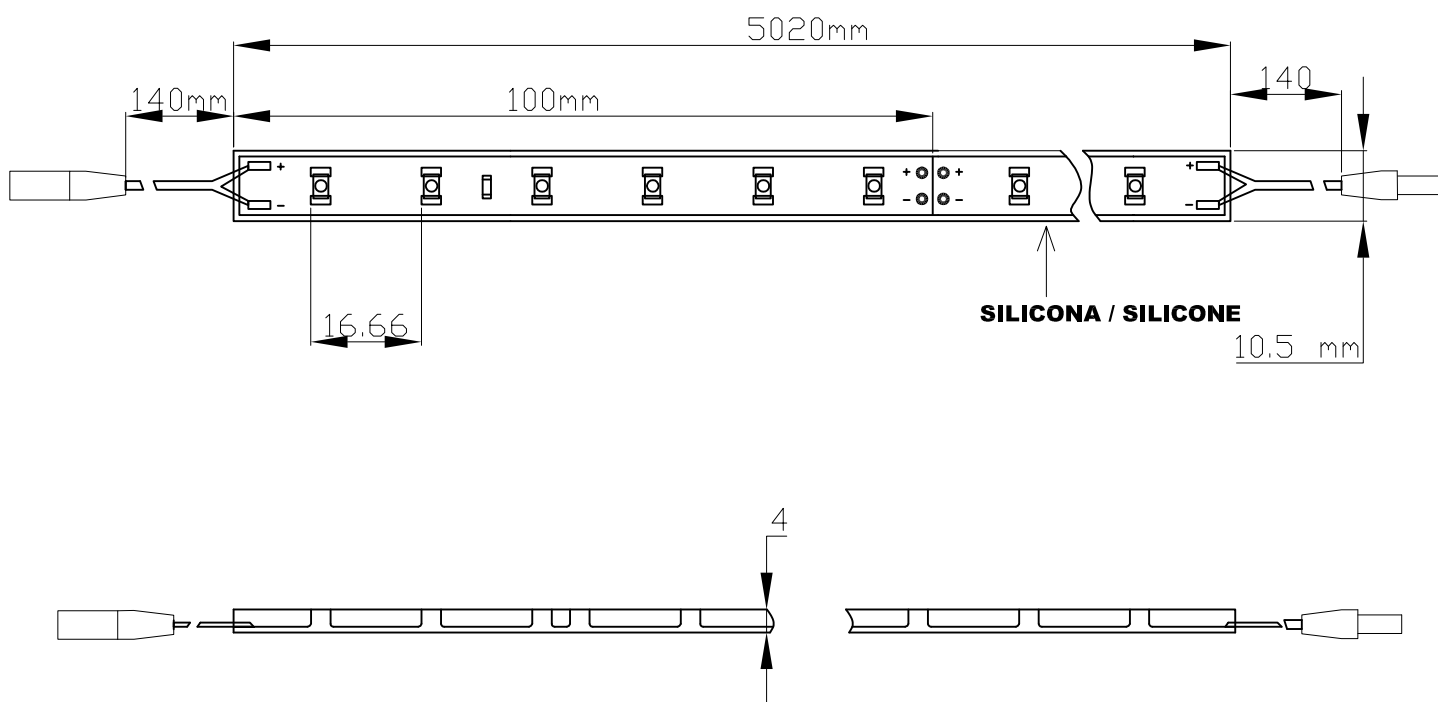
Lámparas de la Luminaria					
Familia	Código	Nombre	Flujo/lm	Pot.W	Cant.
- LEDS C4 LEDS	91-0171	Lámpara led blanco	222.20	24.00	1
C.I.E.	47 80 96 100 100	D DIN 5040		A30	
F UTE	1.00 E	B NBN		BZ 4	

1000mm x 12mm

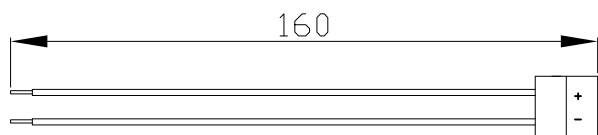


ULOR 0.00 %
DLOR 100.00 %
RN 0.00 %





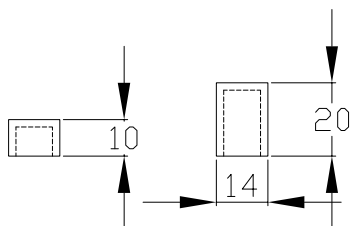
ACCESORIOS ACCESSORIES



X5

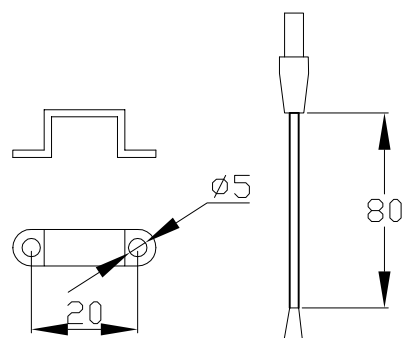
SILICONA / SILICONE

SILICONA / SILICONE



X2

X2



X20

X1



X1



GUIA INSTALACIÓN SERIE ON IP ECO
INSTALLATION GUIDE ON IP ECO SERIES
INSTALLATIONSANLEITUNG SERIE ON IP ECO
GUIDE D'INSTALLATION SÉRIE ON IP ECO
GUIDA DI INSTALLAZIONE SERIE ON IP ECO

91-0175-00-00 - WARM WHITE

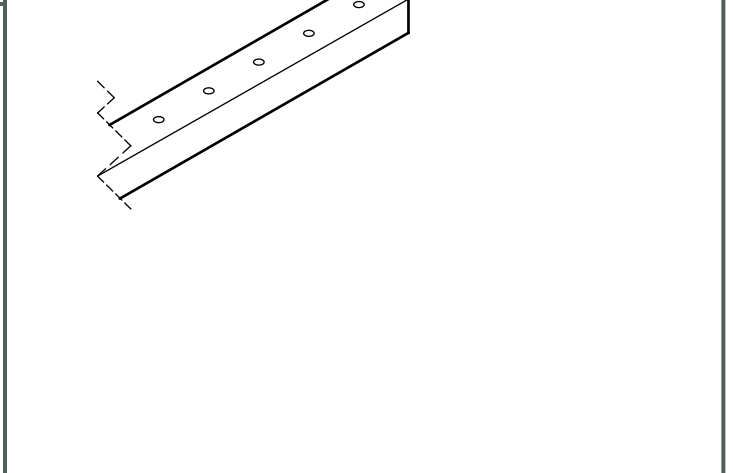
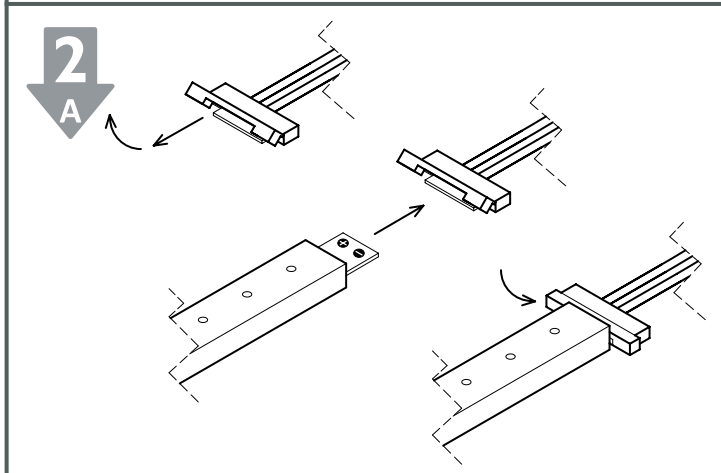
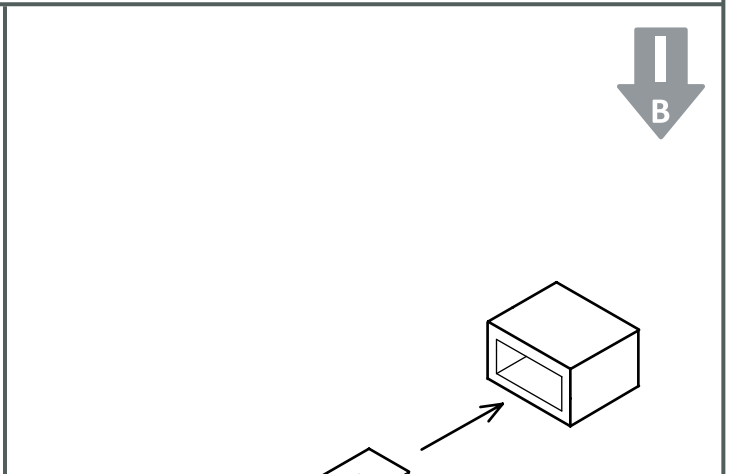
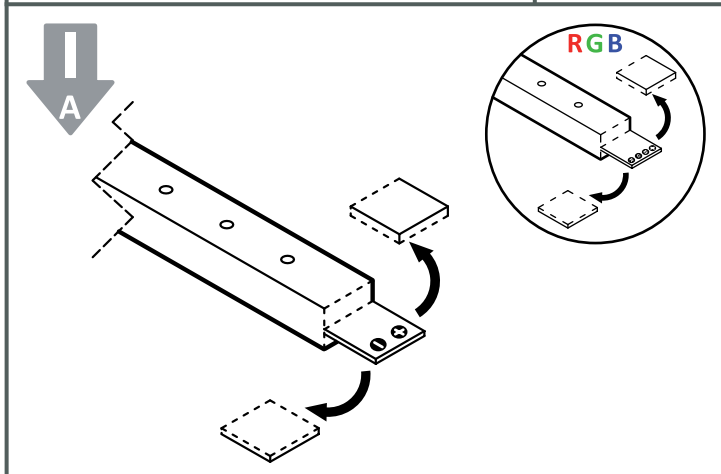
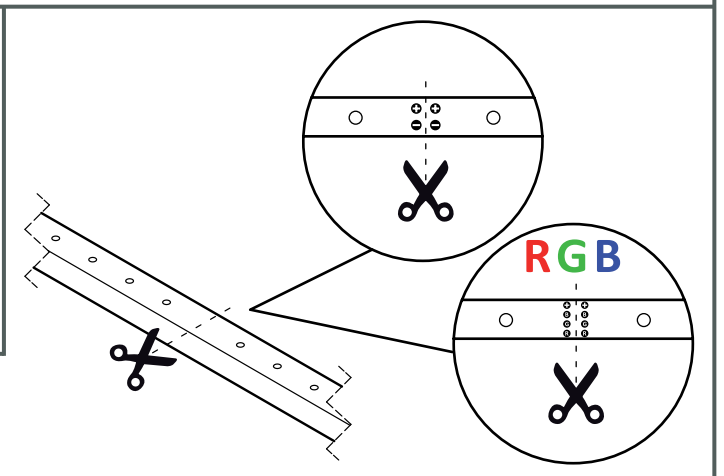
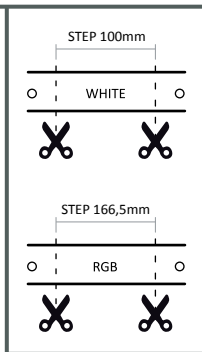
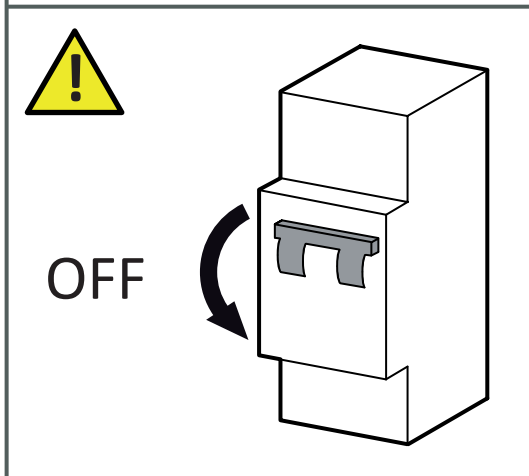
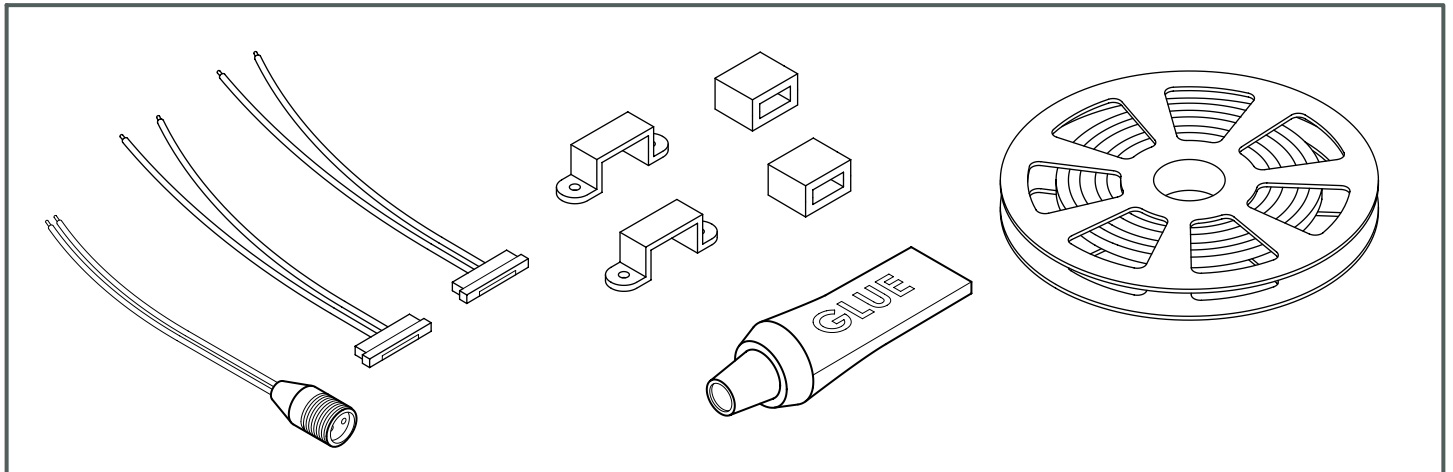
91-0171-00-00 - COLD WHITE

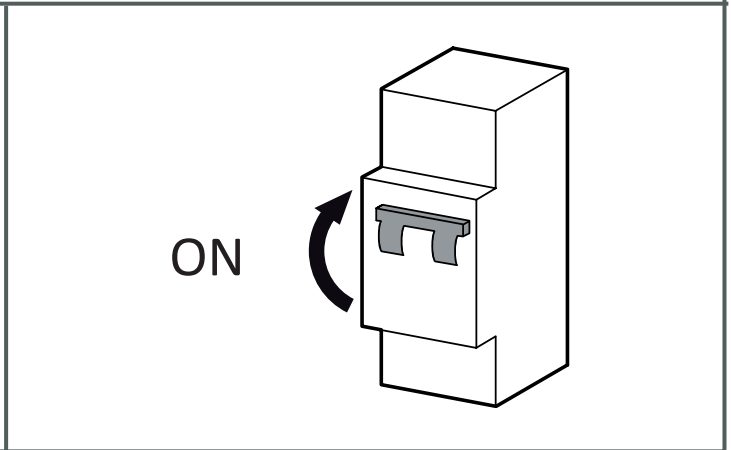
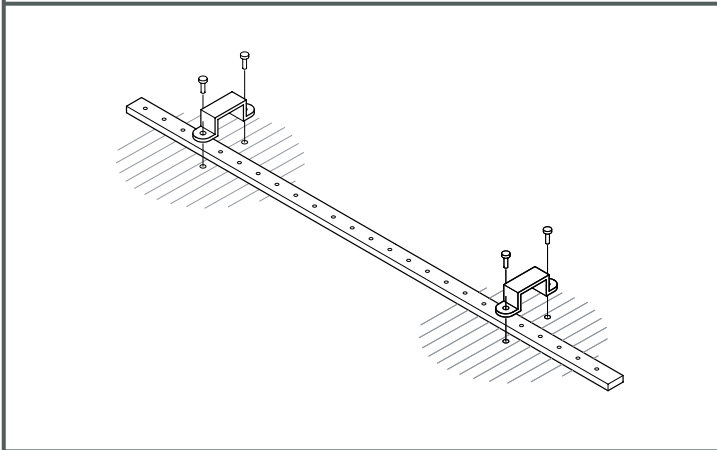
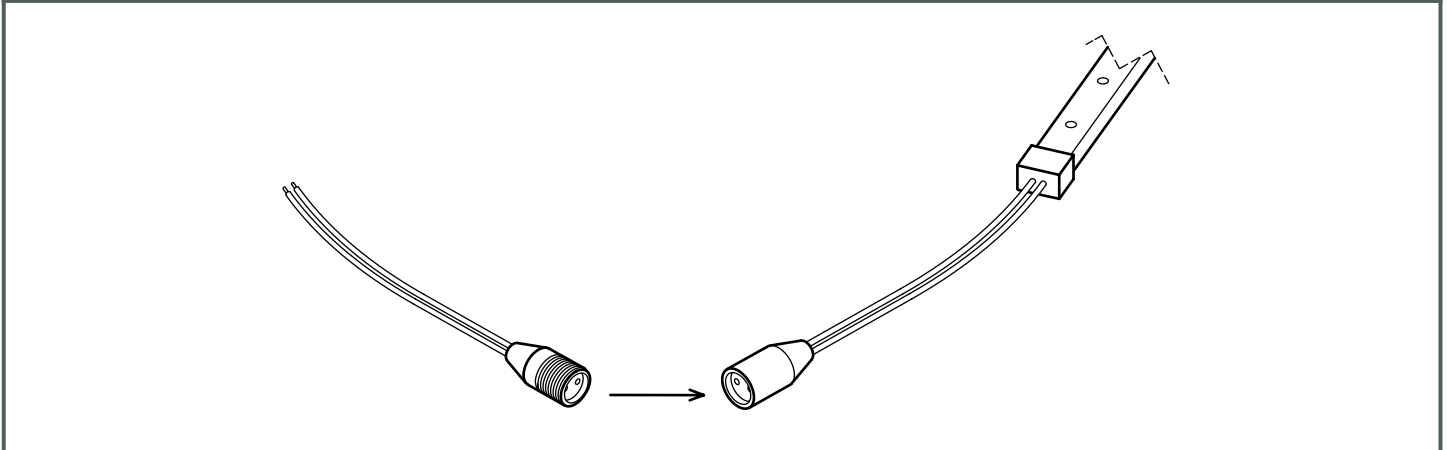
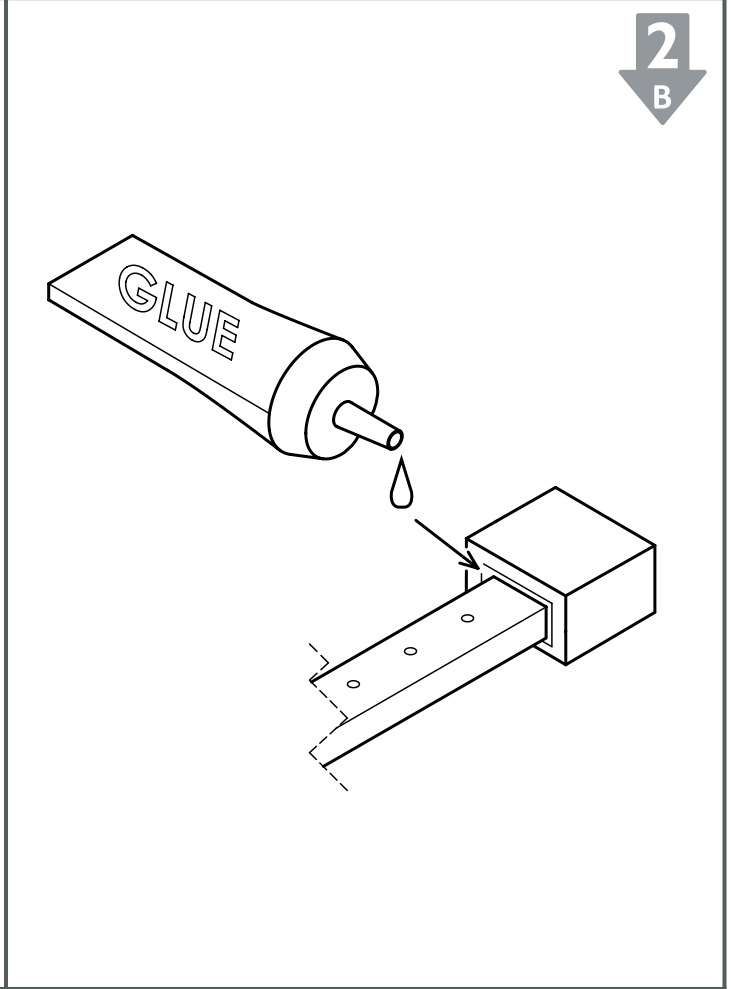
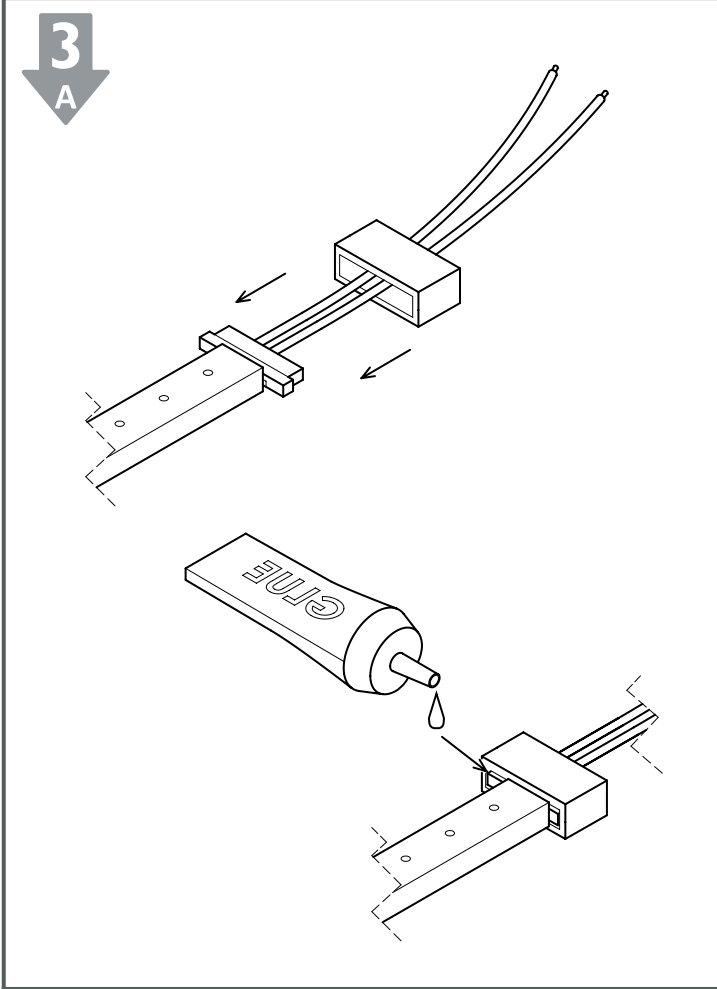
91-2491-00-00 - RGB

LEDS-C4 S.A.
CIF A-59410910

Afores, s/n
25750 Torà · Lleida · Spain
T +34 973 46 81 00
F +34 973 46 81 06
e-mail: leds-c4@leds-c4.com

WWW.LEDS-C4.COM





PS
24VDC

71-0038-00-00 - 26,4 W
 71-0039-00-00 - 52,8 W
 71-0063-00-00 - 76,8 W
 71-0064-00-00 - 156 W
 71-0065-00-00 - 240 W
 71-0066-00-00 - 312 W
 71-4727-00-00 - 150 W (IP67)

C
DALI

71-3473-00-00 - 120 W

C
WHITE

71-0017-00-00 - 288 W

C
DMX

71-3493-00-00 - 192 W

C
RGB

71-0019-00-00 - 432 W

A

71-3433-00-00 - 288 W
 71-1553-00-00 - 288 W

C
1-10V

71-0727-00-00 - 312 W

C
RGB

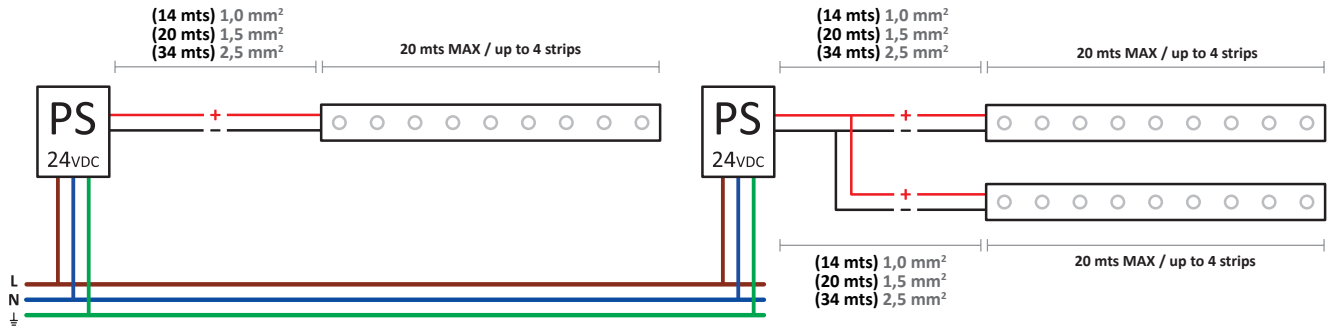
71-4662-00-00 - 432 W
 71-4663-00-00 - 432 W (IP65)
 71-4666-00-00 - REMOTE (OPTIONAL)

WHITE

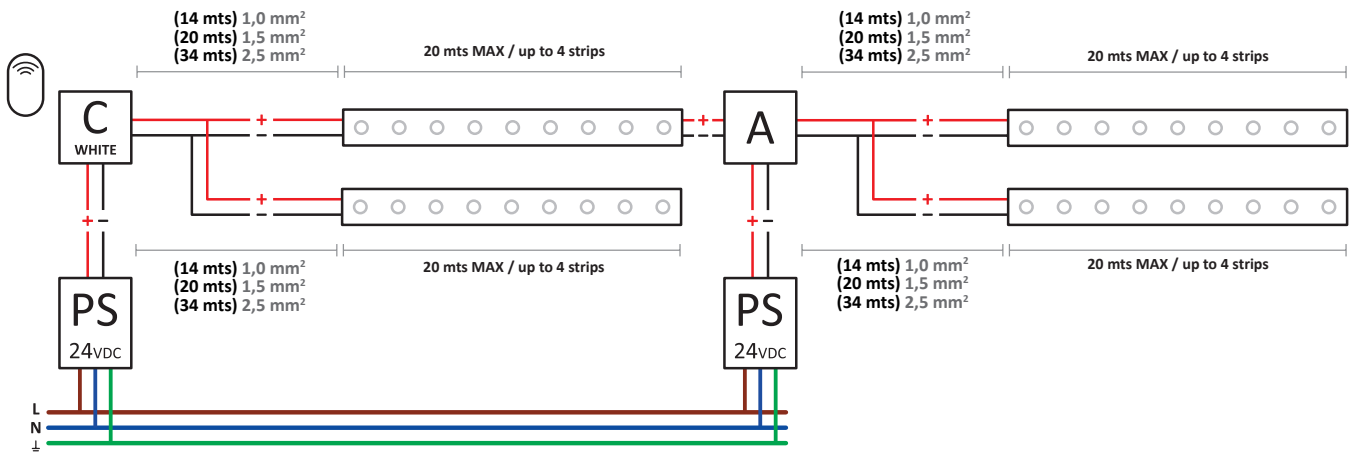
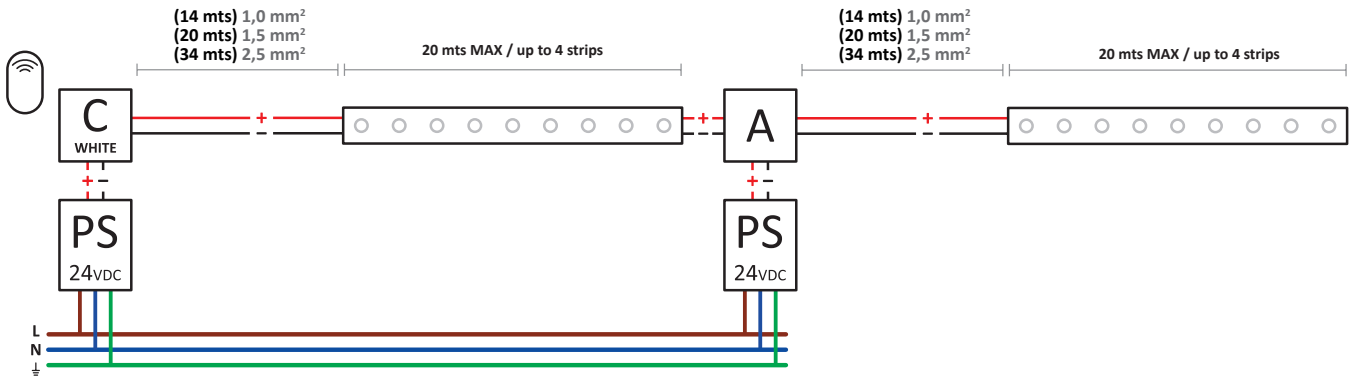
91-0175-00-00 (5 mts - 24W)

91-0171-00-00 (5 mts - 24W)

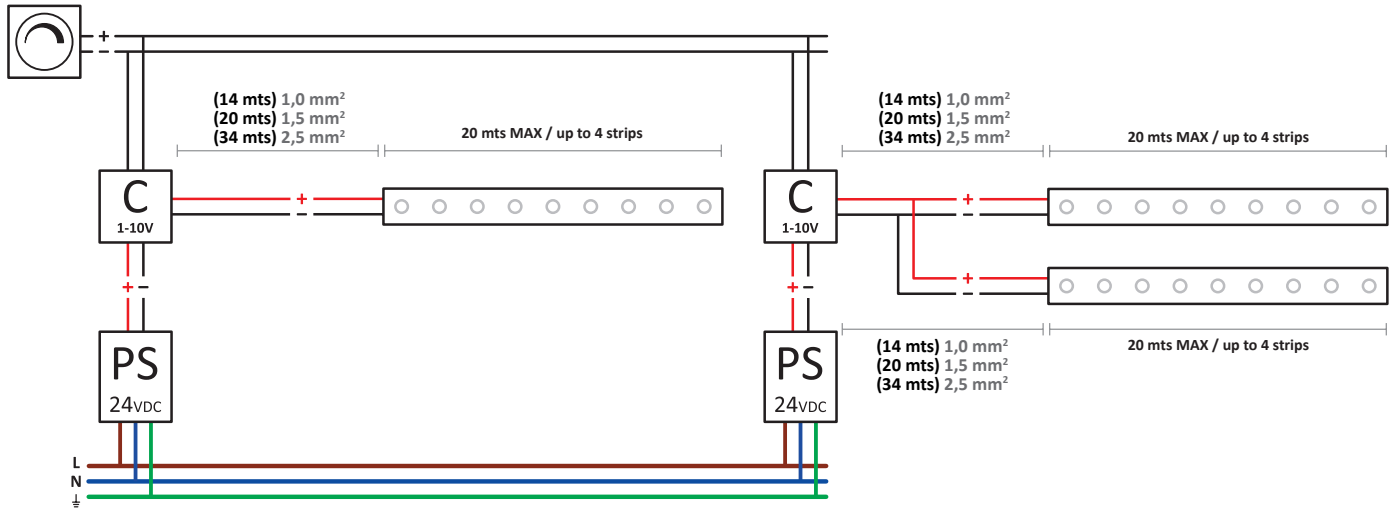
ON / OFF



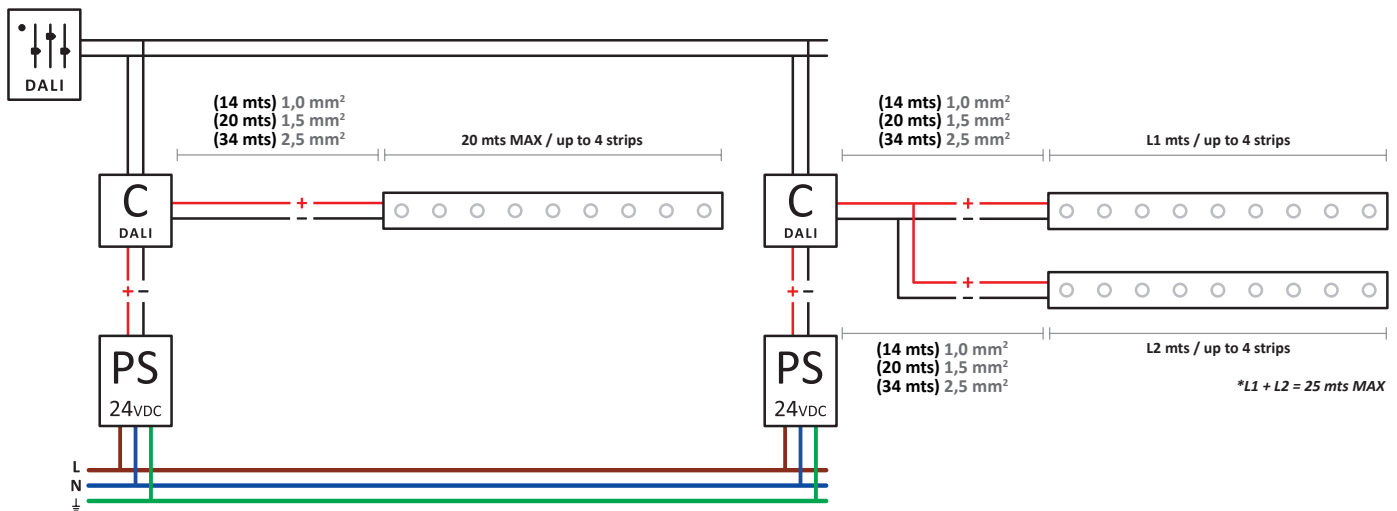
DIMMING WITH REMOTE CONTROL



1-10V



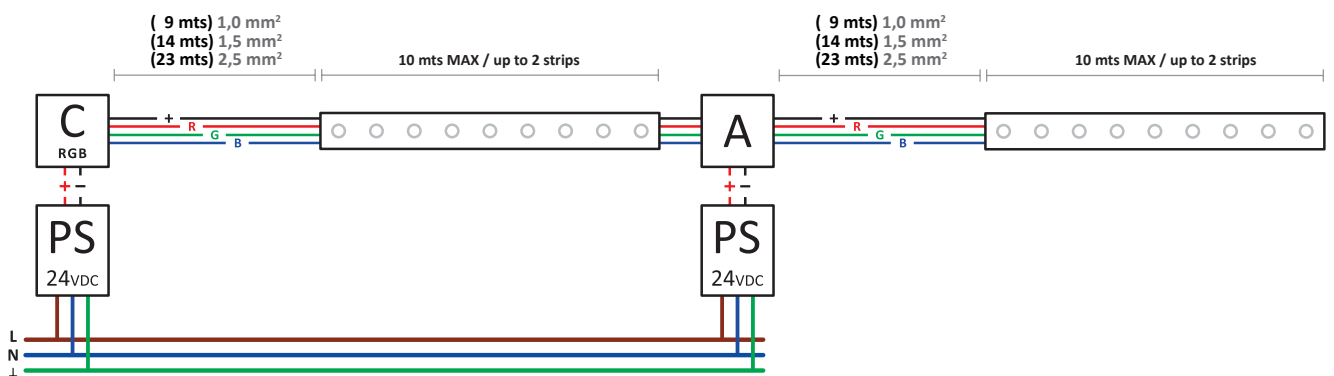
DALI

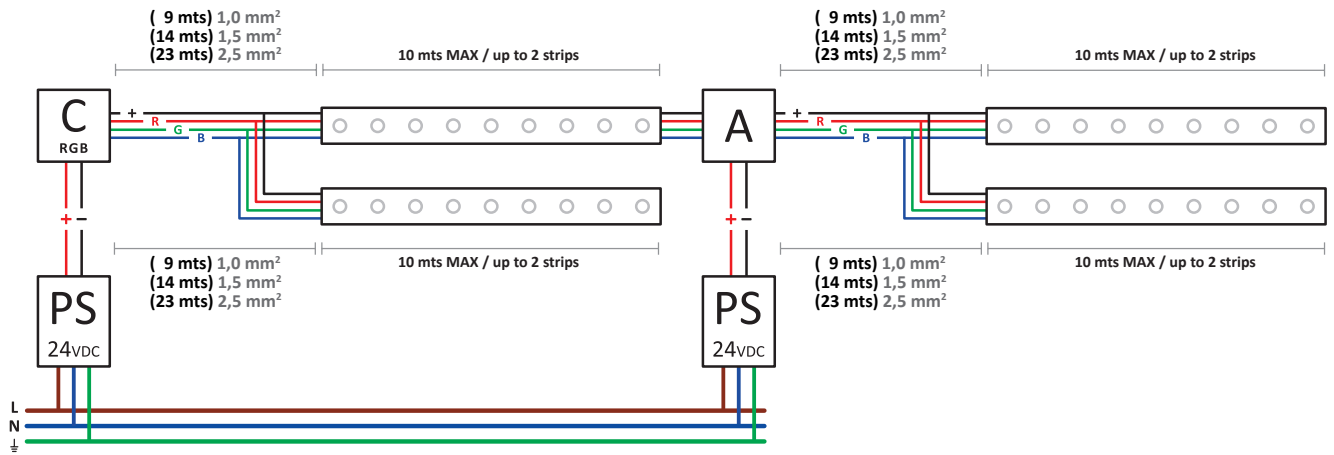


RGB

91-2491-00-00 (5 mts - 36W)

RGB CONTROL WITH / WITHOUT REMOTE CONTROL





DMX

