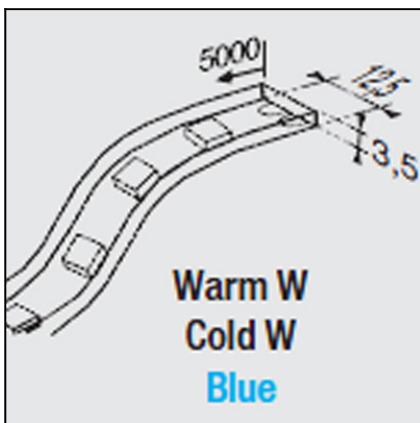




The photograph may not match the reference exactly. Please read the product description to identify the finish.



**TECHNICAL CHARACTERISTICS**

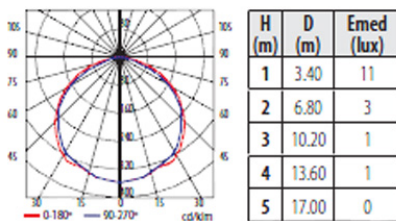
Type:	Led strip
IP Protection degrees:	IP65
Bulb:	300 x LED. Warm White - 3000K
Power (W):	24
Total power consumption (W):	24
CRI:	75
Angle Optiques:	120°
Voltage / Frequency:	12VDC
Warranty (Years):	3
Option to extend the guarantee:	Yes, 5 years
Units per box:	80
Net Weight (Kg):	0.2
EAN:	8435111072523,00



**MATERIALS / FINISHES**

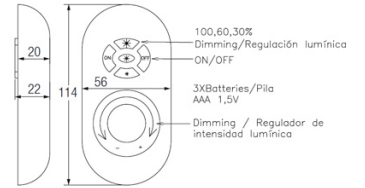
**GEAR**

Necessary equipment not included. For more information check website / catalogs / sales organization.



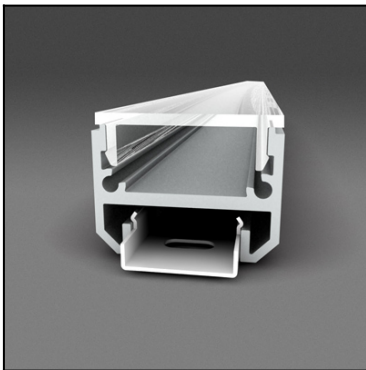
Download photometric file .ldt / .ies

71-0017-00-00



IP20

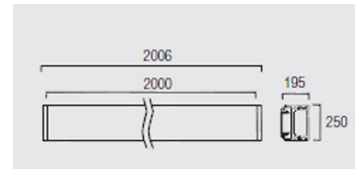
71-3454-54-M2



**Structure material:** Silver anodized aluminium

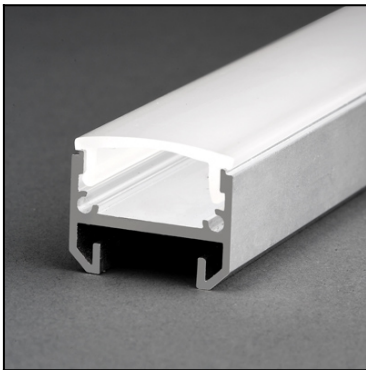
**Diffuser material:** UVA methacrylate

**Diffuser finish:** Transparent



IP20

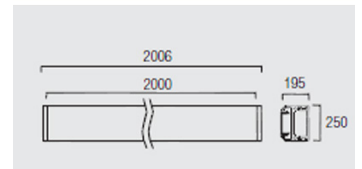
71-3454-54-M3



**Structure material:** Silver anodized aluminium

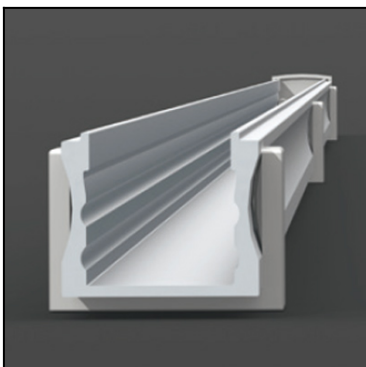
**Diffuser material:** UVA methacrylate

**Diffuser finish:** Tinted



IP20

71-0566-54-M2

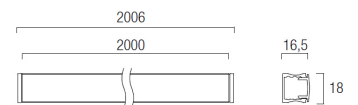


**Structure material:** Anodized aluminium  
 Methacrylate

**Structure finish:** Grey

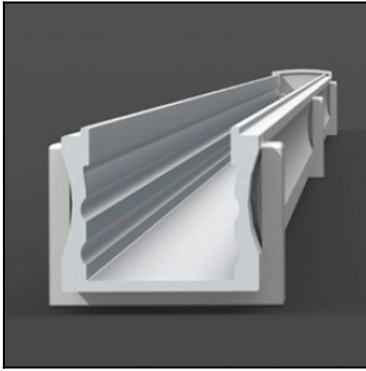
**Diffuser material:** Polycarbonate

**Diffuser finish:** Transparent



IP20

71-0566-54-M3

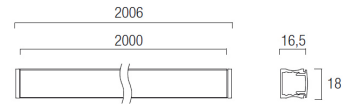


**Structure material:** Anodized aluminium  
Methacrylate

**Structure finish:** Grey

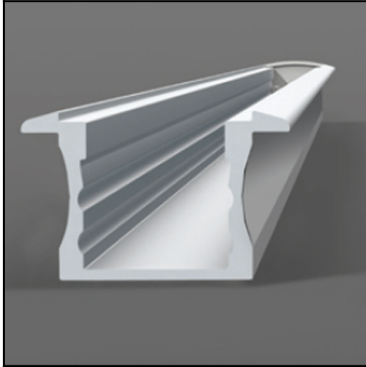
**Diffuser material:** Polycarbonate

**Diffuser finish:** Tinted



IP20

71-0580-54-M2

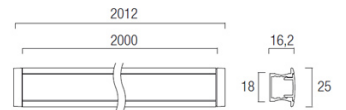


**Structure material:** Anodized aluminium  
Methacrylate

**Structure finish:** Grey

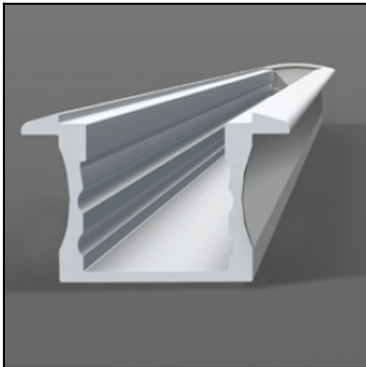
**Diffuser material:** Polycarbonate

**Diffuser finish:** Transparent



IP20

71-0580-54-M2

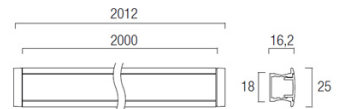


**Structure material:** Anodized aluminium  
Methacrylate

**Structure finish:** Grey

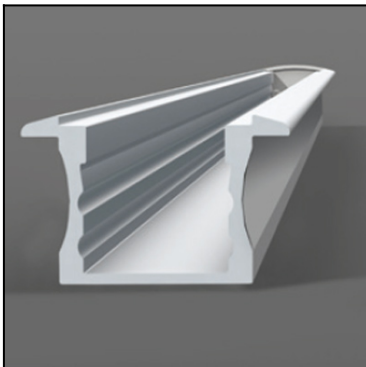
**Diffuser material:** Polycarbonate

**Diffuser finish:** Transparent



IP20

71-0580-54-M3

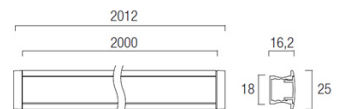


**Structure material:** Anodized aluminium  
Methacrylate

**Structure finish:** Grey

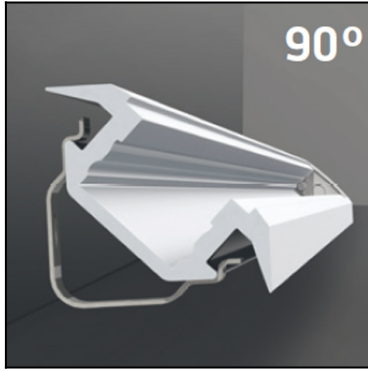
**Diffuser material:** Polycarbonate

**Diffuser finish:** Tinted



IP20

71-0593-54-M2

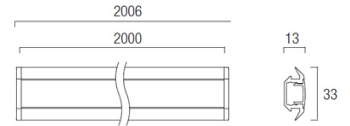


**Structure material:** Anodized aluminium  
Methacrylate

**Structure finish:** Grey

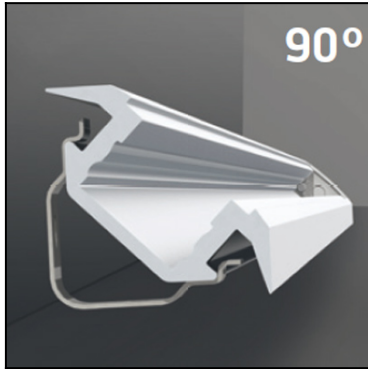
**Diffuser material:** Polycarbonate

**Diffuser finish:** Transparent



IP20

71-0593-54-M3

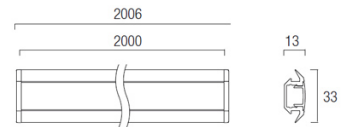


**Structure material:** Anodized aluminium  
Methacrylate

**Structure finish:** Grey

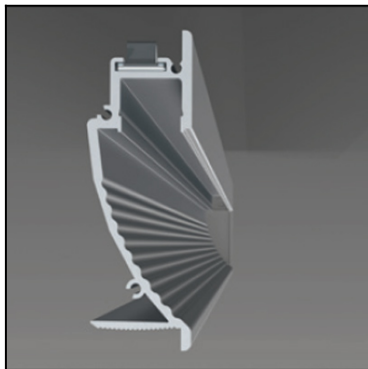
**Diffuser material:** Polycarbonate

**Diffuser finish:** Tinted



IP20

71-0594-54-M2



**Structure material:** Anodized aluminium  
Methacrylate

**Structure finish:** Grey

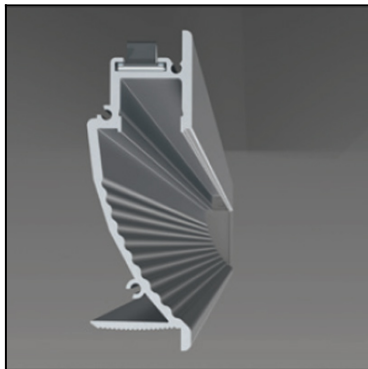
**Diffuser material:** Polycarbonate

**Diffuser finish:** Transparent



IP20

71-0594-54-M3

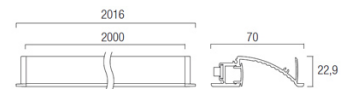


**Structure material:** Anodized aluminium  
Methacrylate

**Structure finish:** Grey

**Diffuser material:** Polycarbonate

**Diffuser finish:** Tinted

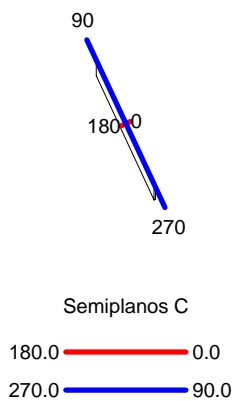


IP20

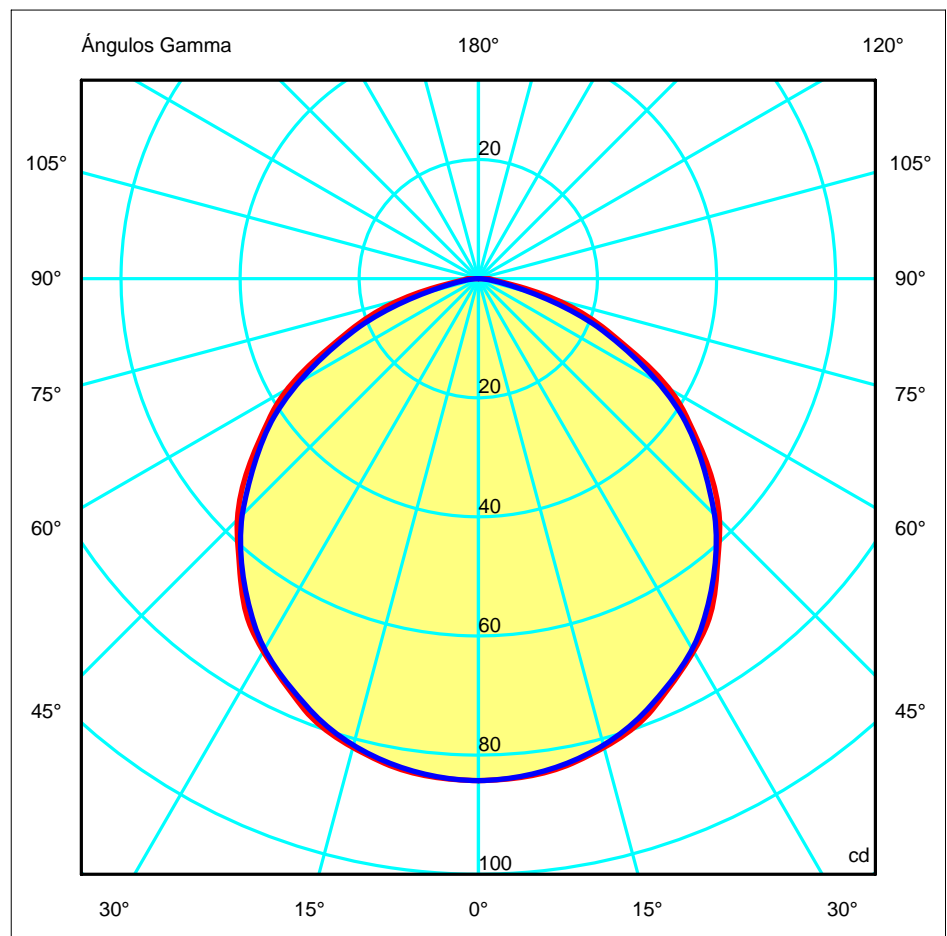
<b>Luminaria</b>		<b>Ensayo</b>		<b>Lámpara</b>		
Código	91-3420-00-00	Código	91-3420-00-00	Código	91-3420-00-00	
Nombre	Tira leds RAND 24W 1mts cálido	Nombre	Tira leds RAND 24W 1 mts warm	Número	1	
Familia	- LEDS C4 LEDS	Fecha	18-04-2012	Posición	Universal	
Rendimiento	100.00%	Sist. de Coordin.	C-G	Flujo Total	229.87 lm	
Valor Máximo	84.26 cd	Posición	C=0.00 G=0.00	Bisimétrico		
Luminaria Rectangular	Longit.	1000 mm	Anchura	11 mm	Altura	4 mm
Área Luminosa Rectangular	Longit.	1000 mm	Anchura	4 mm	Altura	1 mm
Área Luminosa Horizontal		0.004000 m2	Área Emisión sobre Pl. 180°			0.001000 m2
Área Emisión sobre Pl. 0°		0.001000 m2	Área Emisión sobre Pl. 270°			0.000004 m2
Área Emisión sobre Pl. 90°		0.000004 m2	Área de deslumbramiento a 76°			0.001938 m2
Tipo de Simetría	Bisimétrico	Máximo Ángulo Gamma	Flujo de Ensayo	90	229.87 lm	
Distancia de Ensayo	6.44	Tensión de alimentación	Corriente de alimentación	230.00 V		
Operador	Asselum T2	Fotocélula		PRC		
Temperatura	20.00 °C					
Humedad	48.00 %					
Notas						

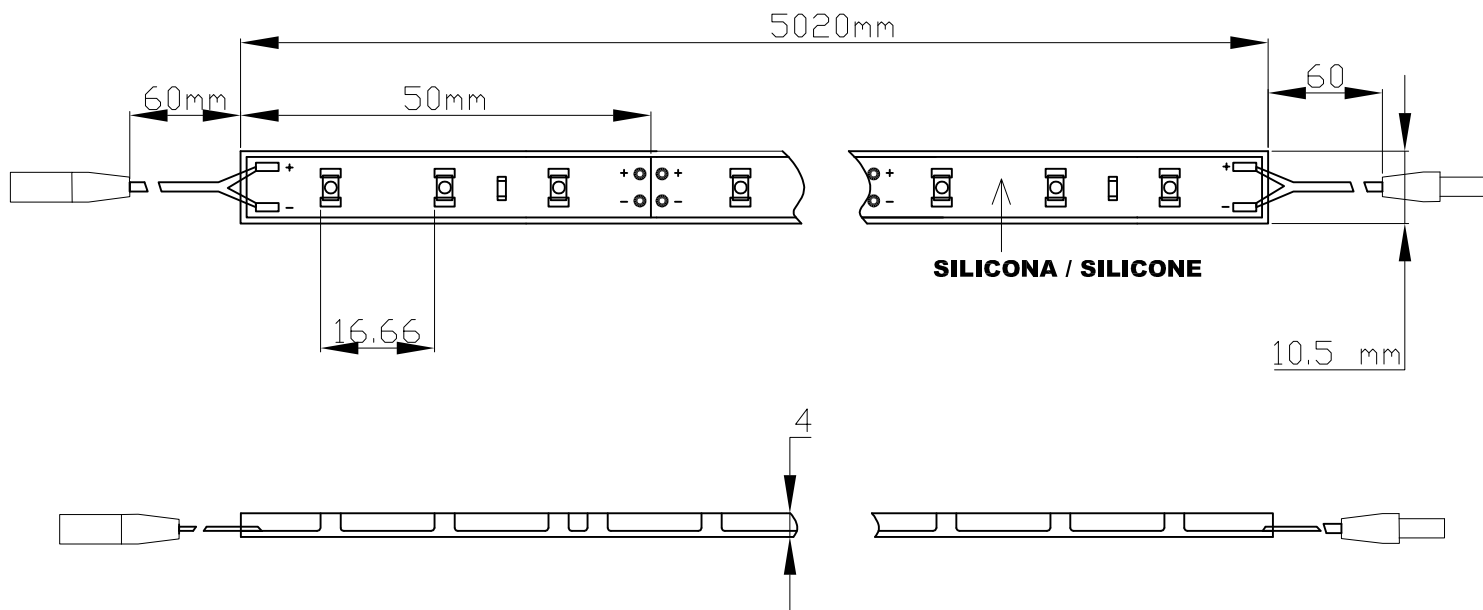
Lámparas de la Luminaria					
Familia	Código	Nombre	Flujo/lm	Pot.W	Cant.
- LEDS C4 LEDS	91-3420-00-00	Lámpara led blanco cálido	229.87	5.00	1
C.I.E.	49 82 97 100 100	D DIN 5040			
F UTE	1.00 E	B NBN	A30	BZ 4	

1000mm x 11mm

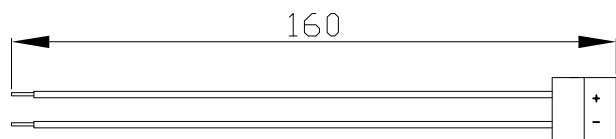


ULOR 0.00 %  
DLOR 100.00 %  
RN 0.00 %





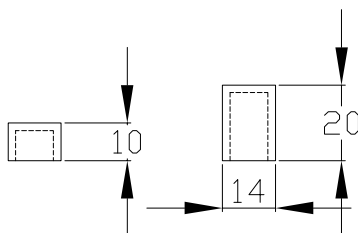
## ACCESORIOS ACCESSORIES



**X5**

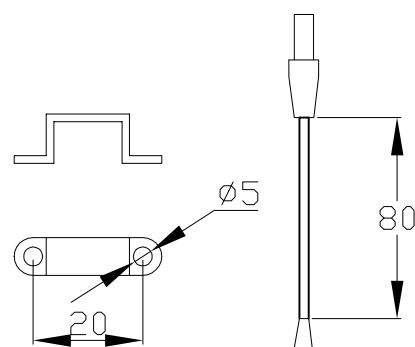
**SILICONA / SILICONE**

**SILICONA / SILICONE**



**X2**

**X2**



**X20**

**X1**



**X1**



**GUIA INSTALACIÓN SERIE RAND IP**  
**INSTALLATION GUIDE RAND IP SERIES**  
**INSTALLATIONSANLEITUNG SERIE RAND IP**  
**GUIDE D'INSTALLATION SÉRIE RAND IP**  
**GUIDA DI INSTALLAZIONE SERIE RAND IP**

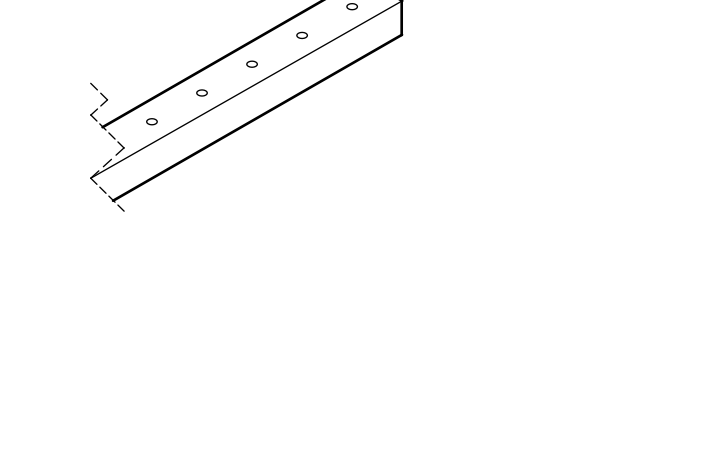
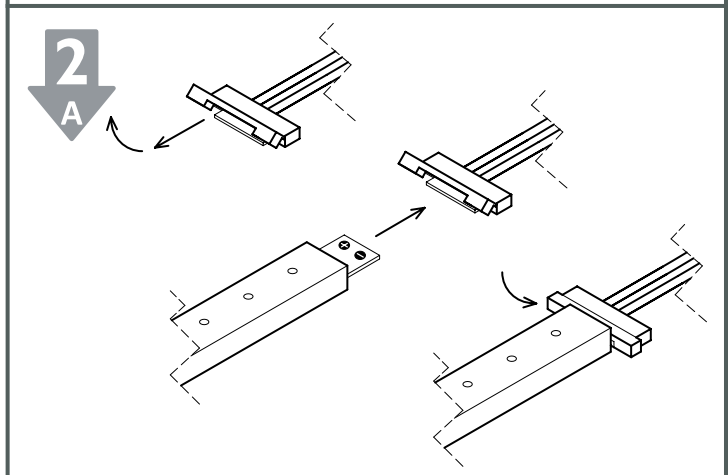
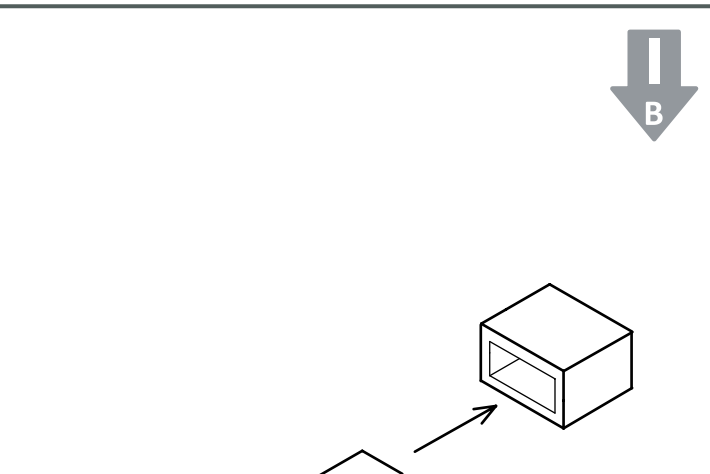
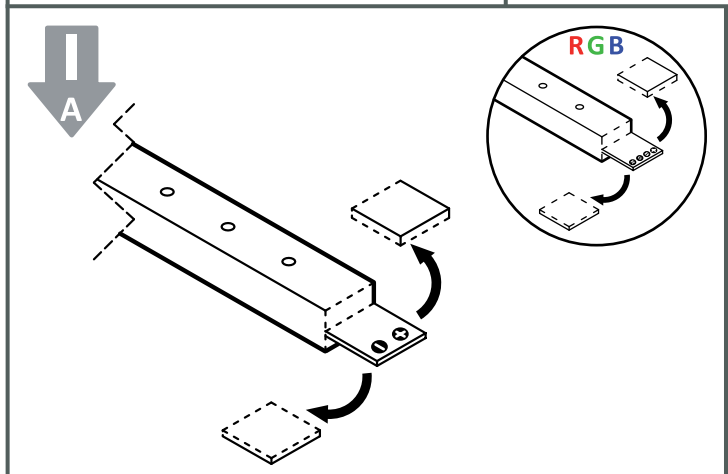
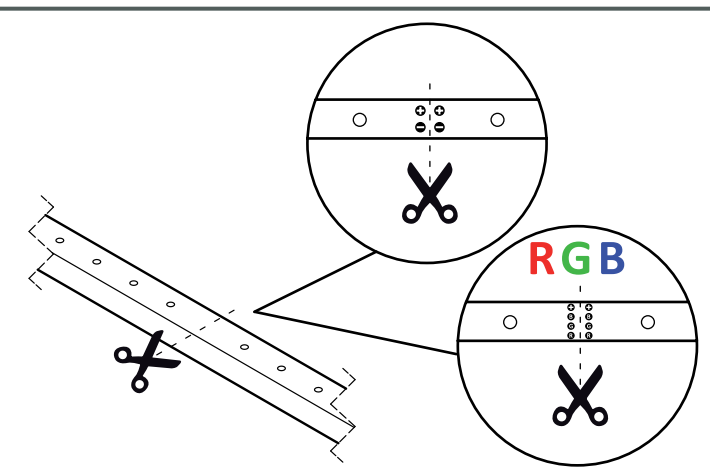
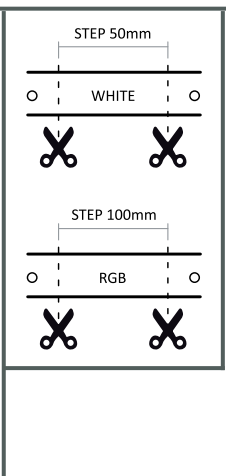
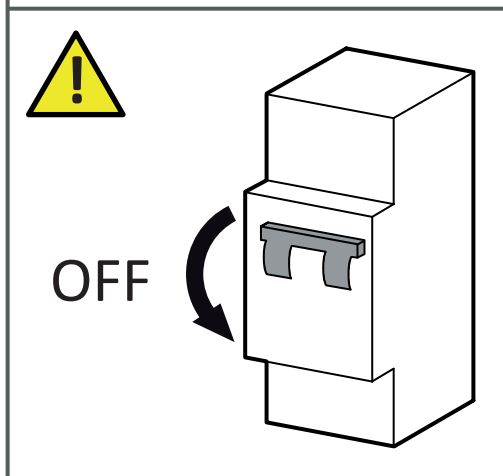
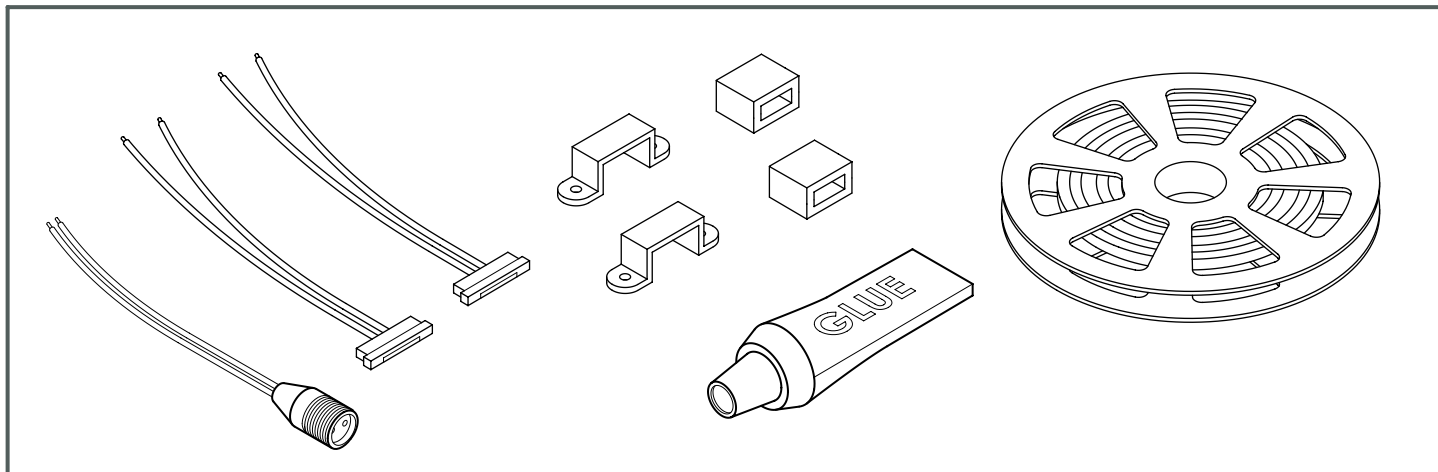
**91-3420-00-00 - WARM WHITE**

**91-3419-00-00 - COLD WHITE**

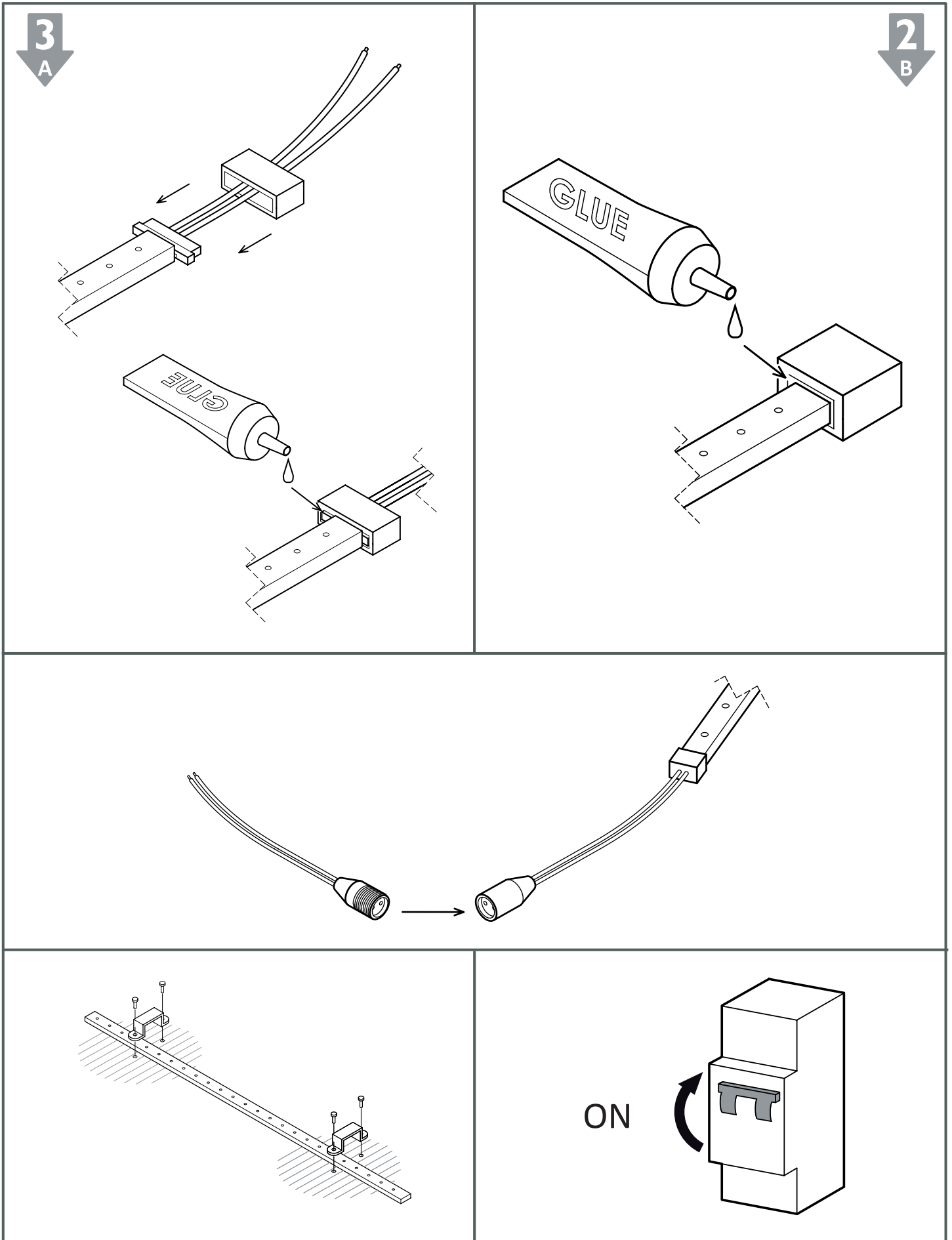
**LEDS-C4 S.A.**  
**CIF A-59410910**

**Afores, s/n**  
**25750 Torà · Lleida · Spain**  
**T +34 973 46 81 00**  
**F +34 973 46 81 06**  
**e-mail: leds-c4@leds-c4.com**

**WWW.LEDS-C4.COM**







**PS**  
12VDC

71-0035-00-00 - 25 W  
 71-0036-00-00 - 50 W  
 71-0059-00-00 - 72 W  
 71-0060-00-00 - 150 W  
 71-0061-00-00 - 240 W  
 71-0062-00-00 - 300 W  
 71-3479-00-00 - 100 W (IP67)

**C**  
DALI

71-3473-00-00 - 60 W

**C**  
WHITE

71-0017-00-00 - 144 W

**C**  
DMX

71-3493-00-00 - 96 W

**C**  
RGB

71-0019-00-00 - 216 W

**A**

71-3433-00-00 - 144 W  
 71-1553-00-00 - 192 W

**C**  
1-10V

71-0727-00-00 - 156W

**C**  
RGB

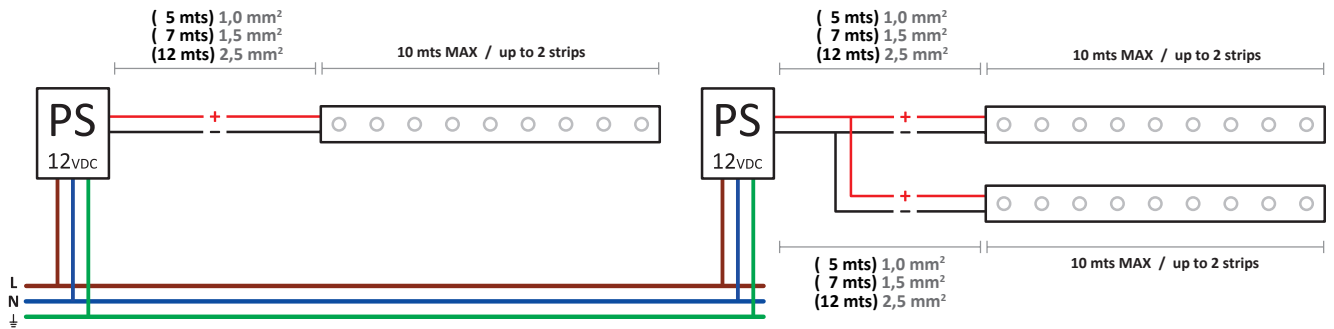
71-4662-00-00 - 216 W  
 71-4663-00-00 - 216 W (IP65)  
 71-4666-00-00 - REMOTE (OPTIONAL)

**WHITE**

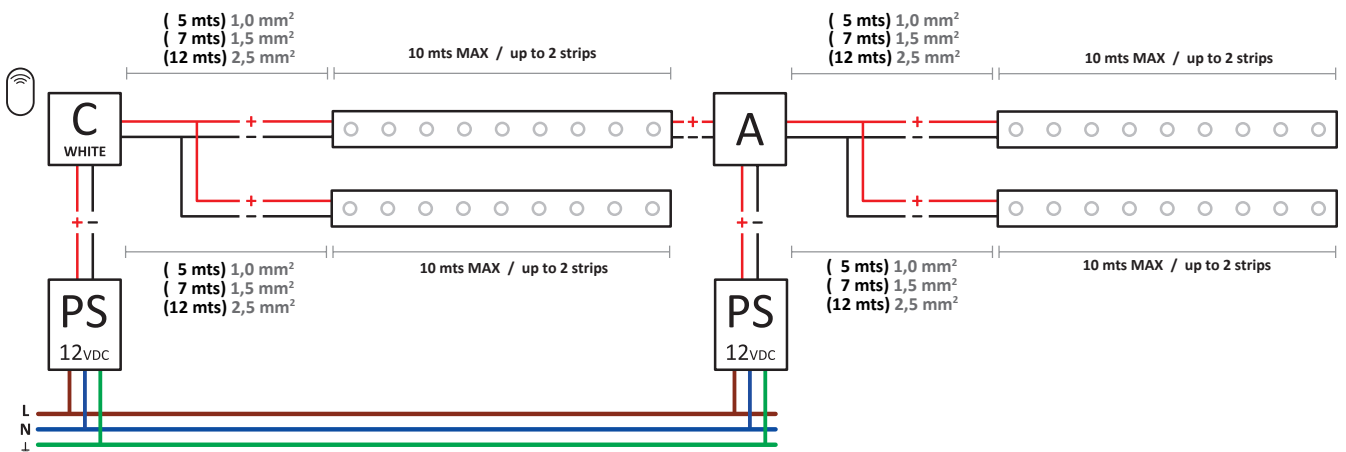
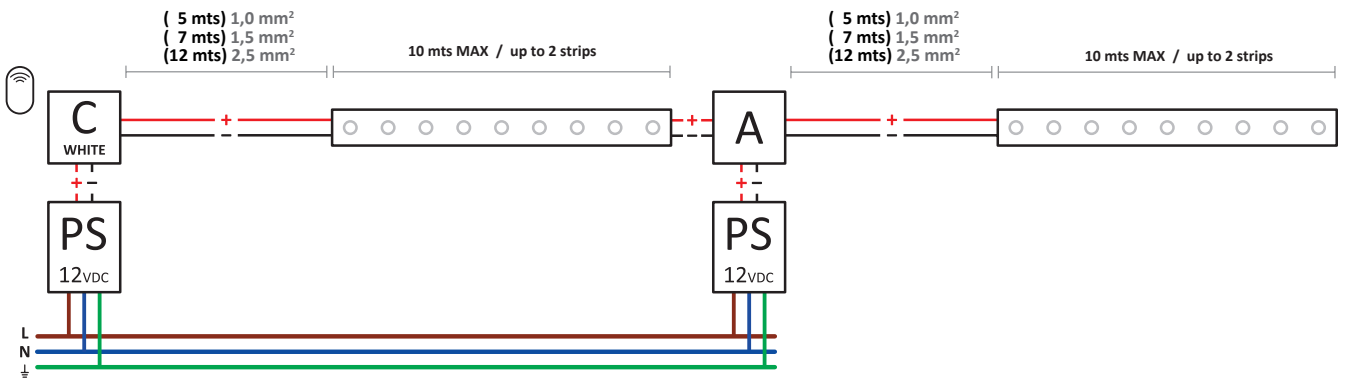
91-3420-00-00 (5 mts - 24W)

91-3419-00-00 (5 mts - 24W)

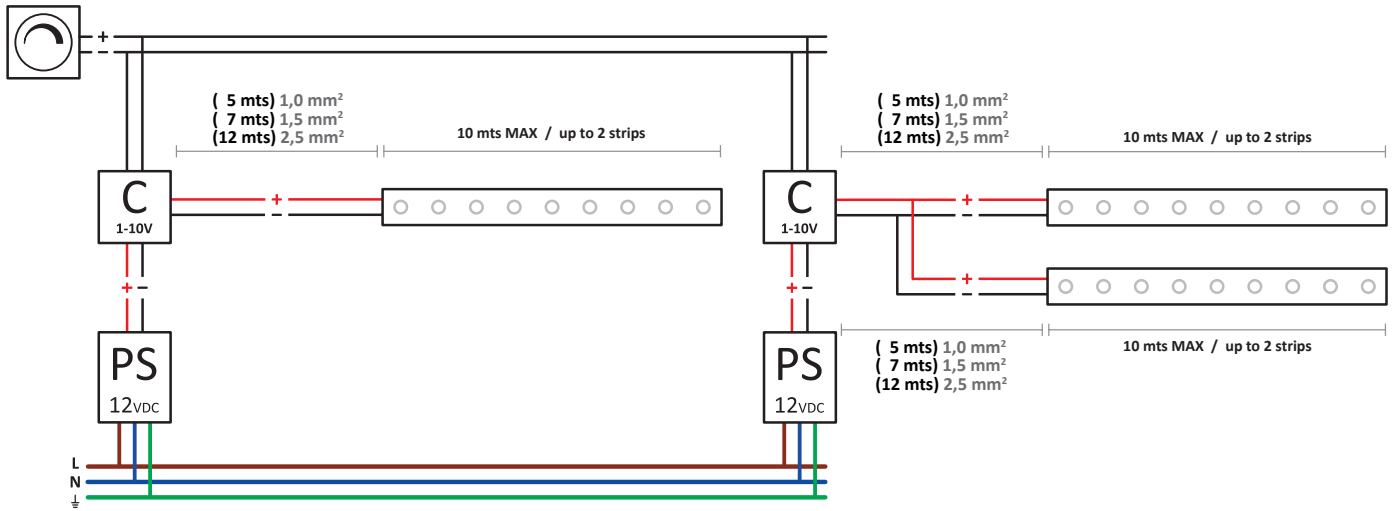
**ON / OFF**



**DIMMING WITH REMOTE CONTROL**



**1-10V**



**DALI**

