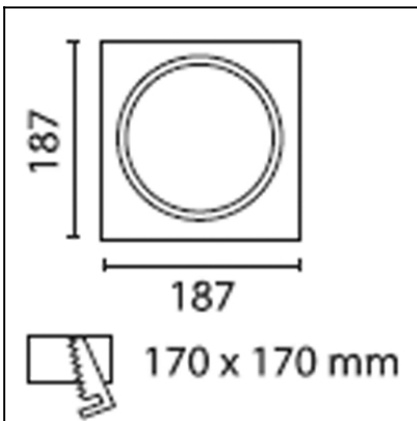




The photograph may not match the reference exactly. Please read the product description to identify the finish.



DESCRIPTION

Mounting decorative plate

TECHNICAL CHARACTERISTICS

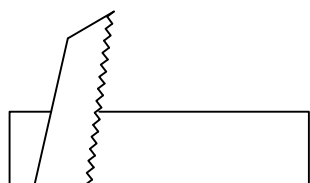
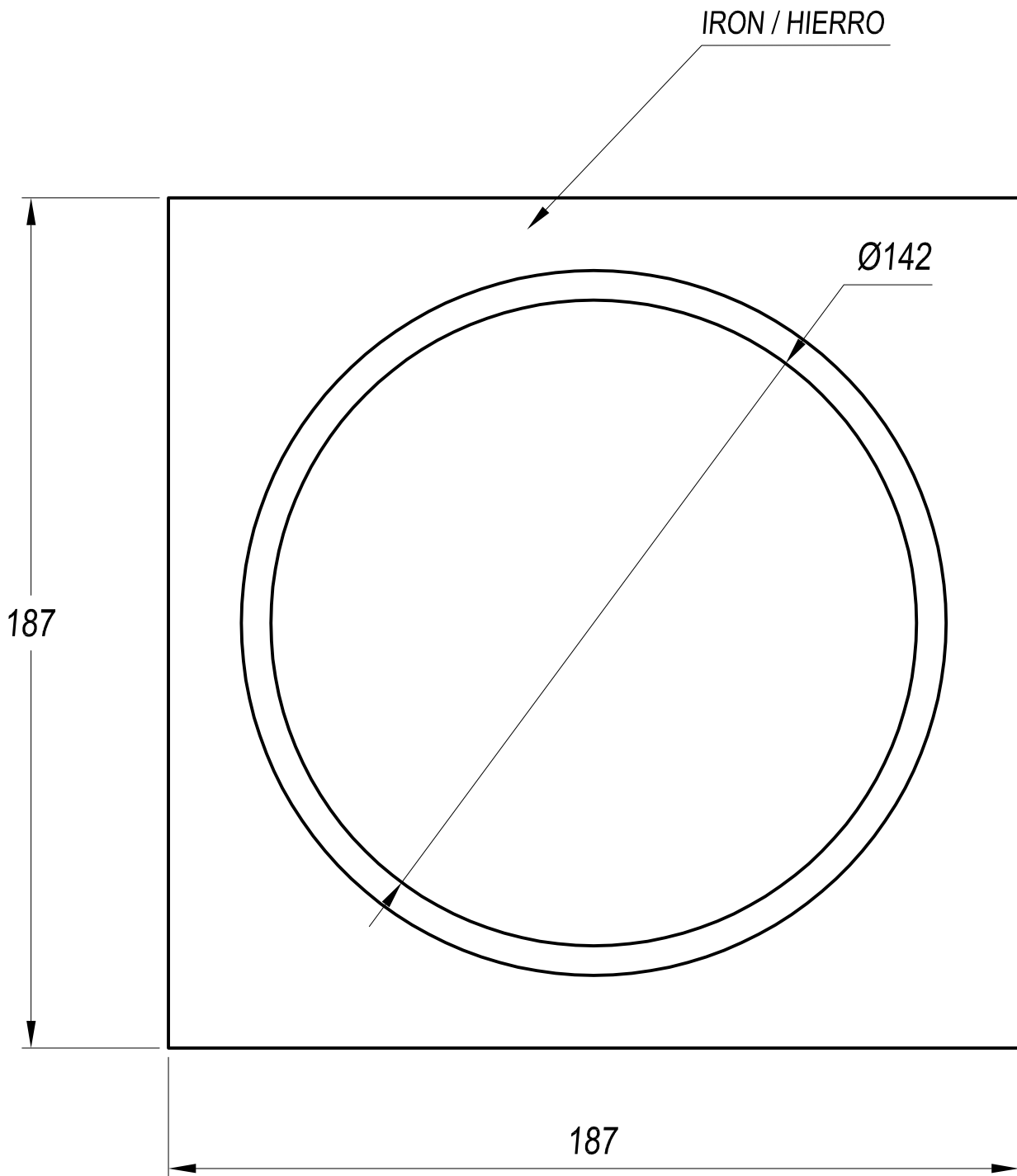
Type:	Accessory
Warranty (Years):	2
Units per box:	30
Net Weight (Kg):	0.145
EAN:	8435111041819,00



MATERIALS / FINISHES

Structure material: Steel
Structure finish: White

[Download photometric file .ldt / .ies](#)



170x170

NO

APLICA.