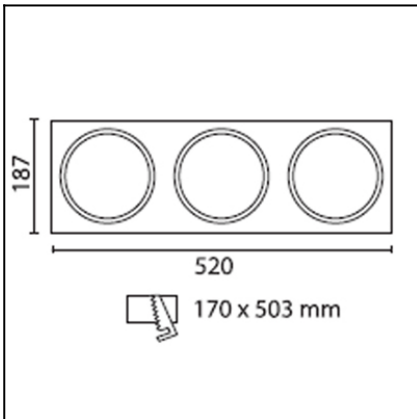




The photograph may not match the reference exactly. Please read the product description to identify the finish.



DESCRIPTION

Mounting decorative plate

TECHNICAL CHARACTERISTICS

Type:	Accessory
Warranty (Years):	2
Units per box:	10
Net Weight (Kg):	0.405
EAN:	8435111041857,00

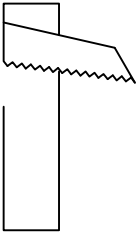


MATERIALS / FINISHES

Structure material: Steel

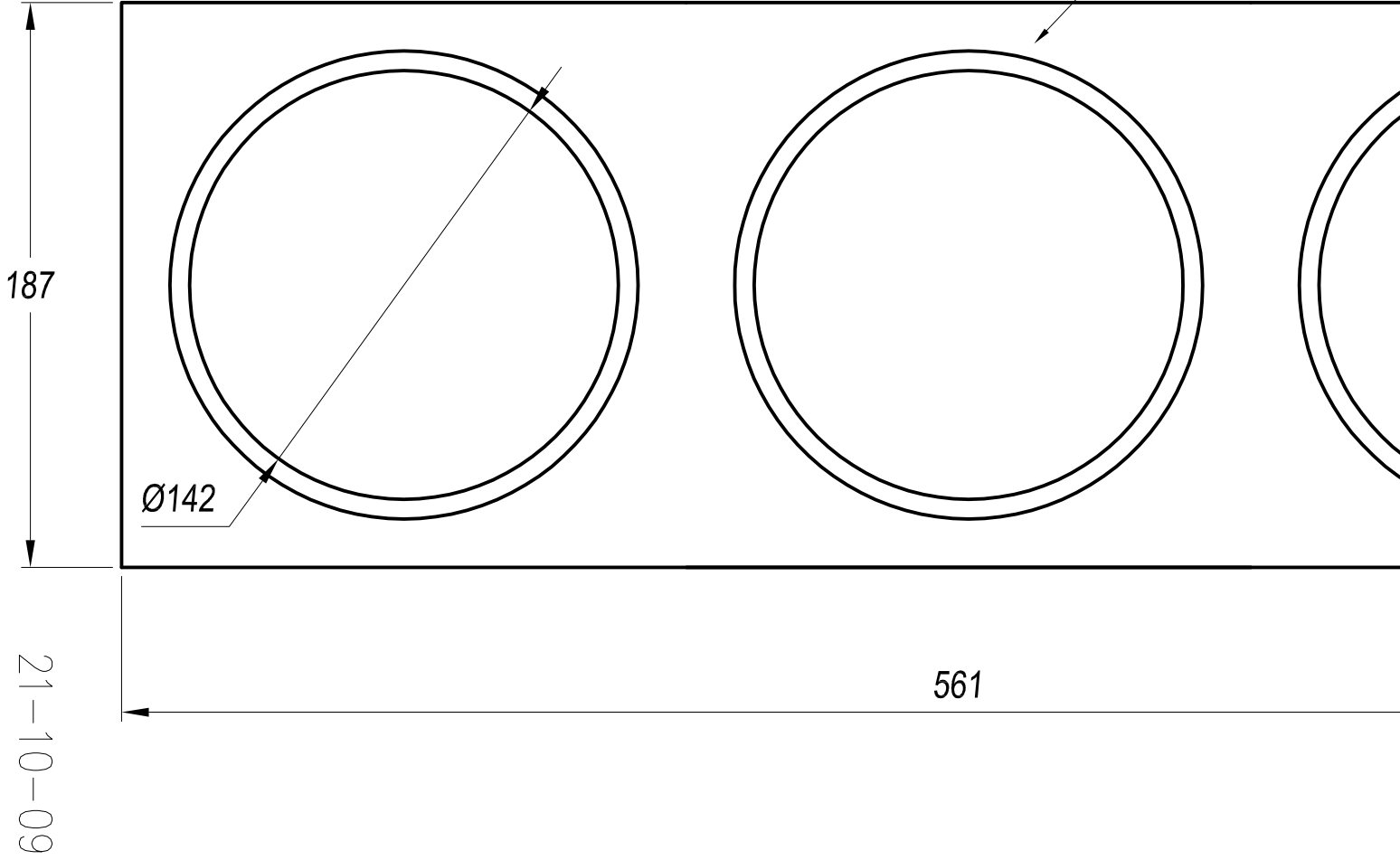
Structure finish: White

Download photometric file .ldt / .ies



170x503

IRON / HIERR



NO

APLICA