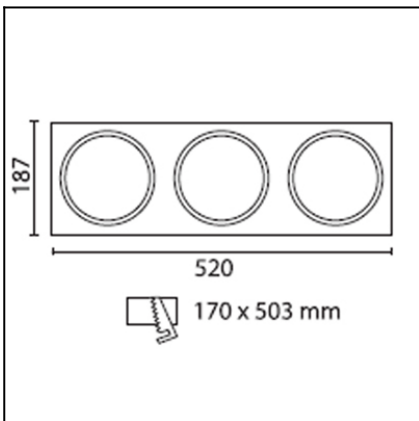


# CARDEX E / C

## ACT-0067-N3-00



The photograph may not match the reference exactly. Please read the product description to identify the finish.



### DESCRIPTION

Mounting decorative plate

### TECHNICAL CHARACTERISTICS

Type:	Accessory
Warranty (Years):	2
Units per box:	10
Net Weight (Kg):	0.405
EAN:	8435111041864,00

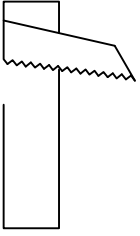


### MATERIALS / FINISHES

**Structure material:** Steel

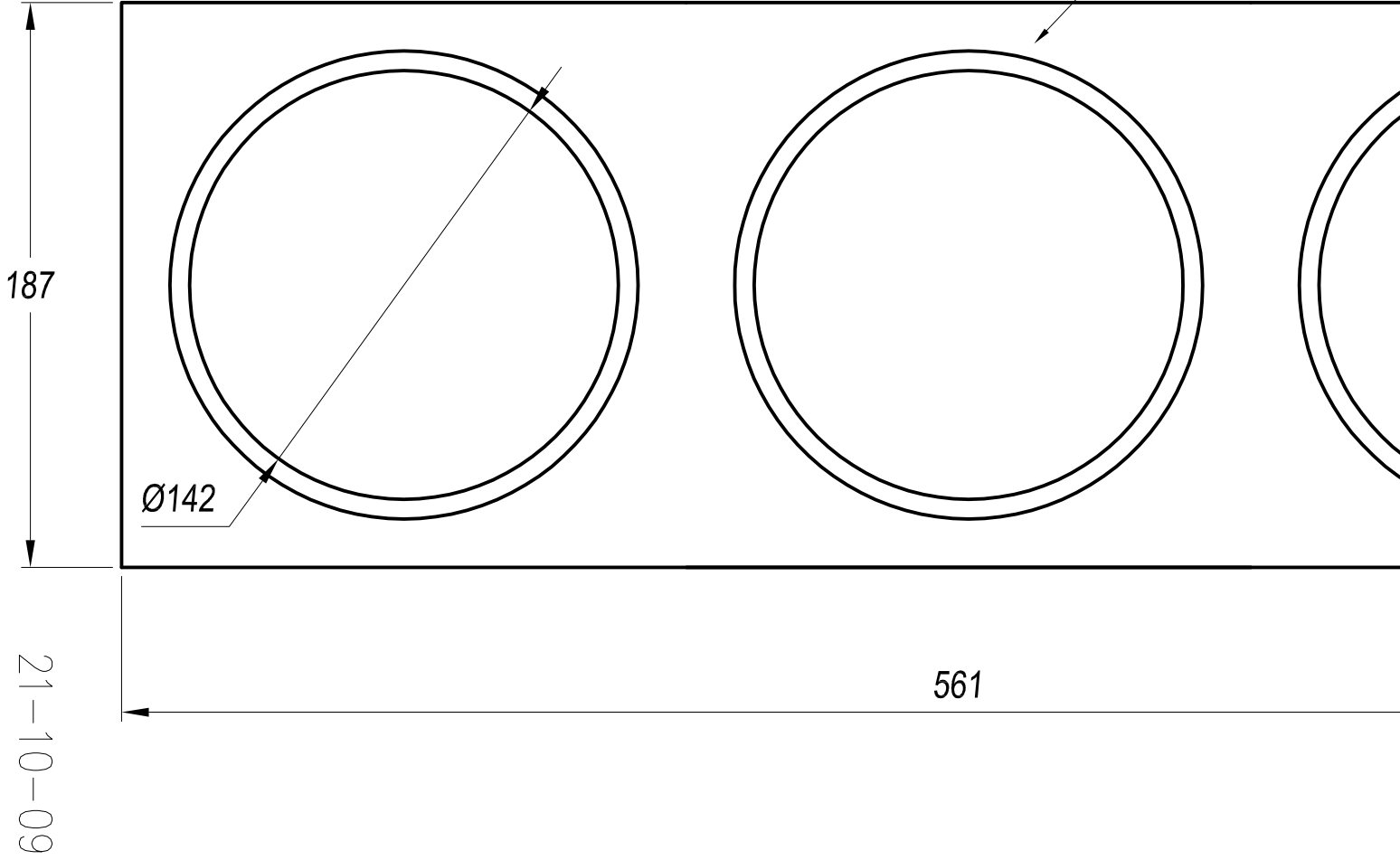
**Structure finish:** Grey

[Download photometric file .ldt / .ies](#)



170x503

IRON / HIERR



***NO***

***APLICA***