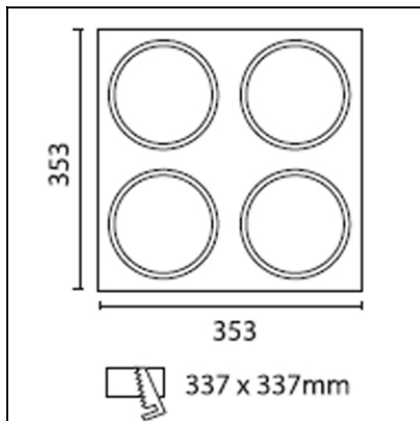




The photograph may not match the reference exactly. Please read the product description to identify the finish.



DESCRIPTION

Mounting decorative plate

TECHNICAL CHARACTERISTICS

Type:	Accessory
Warranty (Years):	2
Units per box:	10
Net Weight (Kg):	0.475
EAN:	8435111041871,00

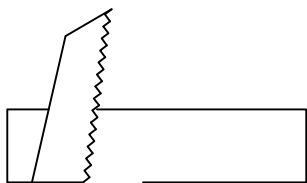
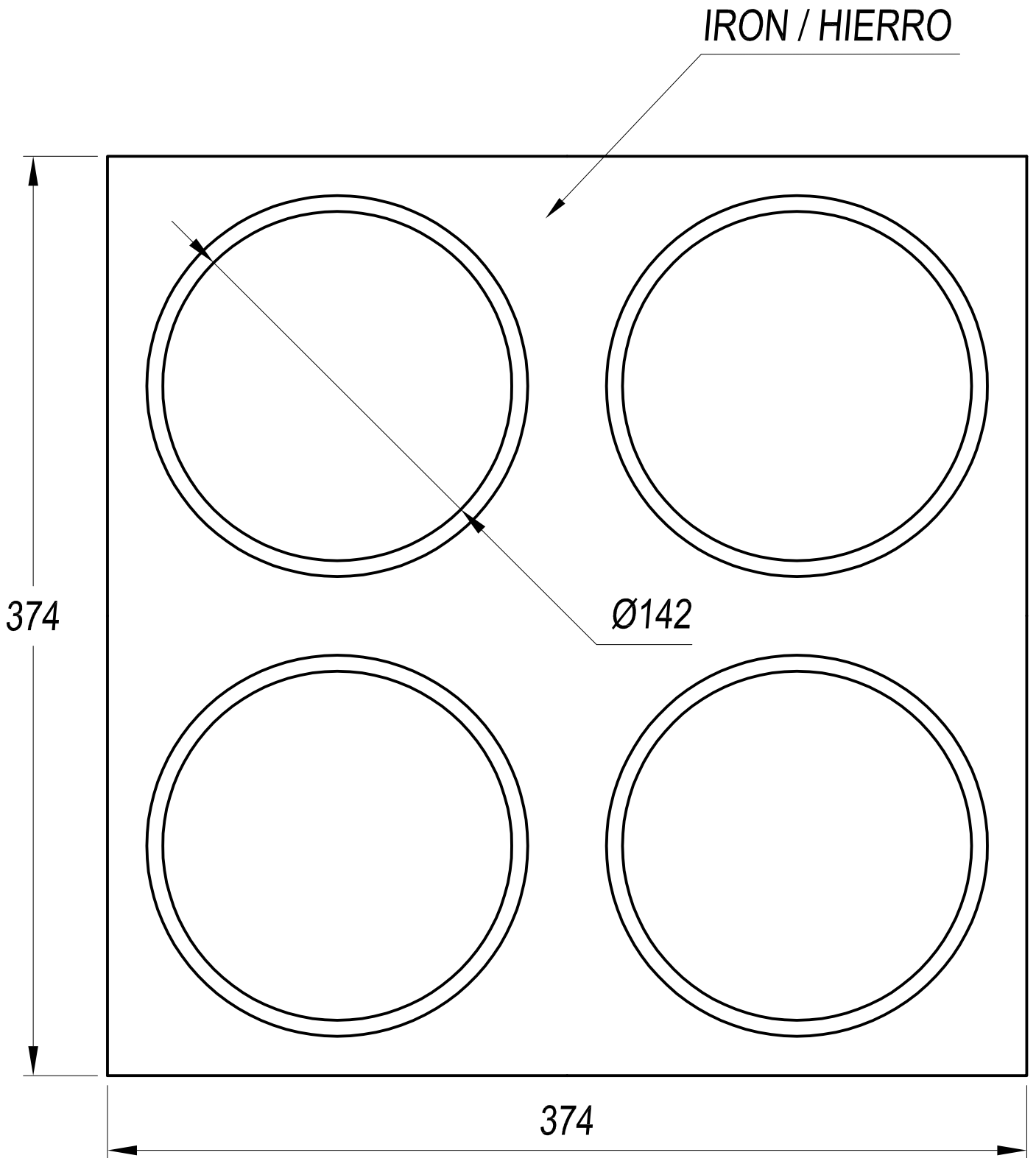


MATERIALS / FINISHES

Structure material: Steel

Structure finish: White

[Download photometric file .ldt / .ies](#)



337x337

NO

APLICA