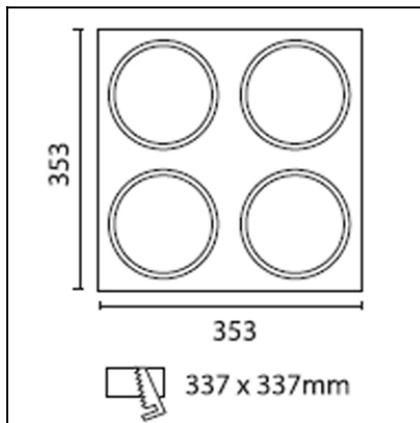


CARDEX E / C

ACT-0068-N3-00



The photograph may not match the reference exactly. Please read the product description to identify the finish.



Download photometric file .ldt /.ies

DESCRIPTION

Mounting decorative plate

TECHNICAL CHARACTERISTICS

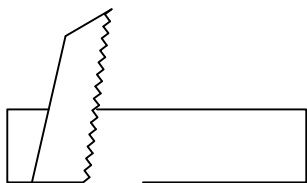
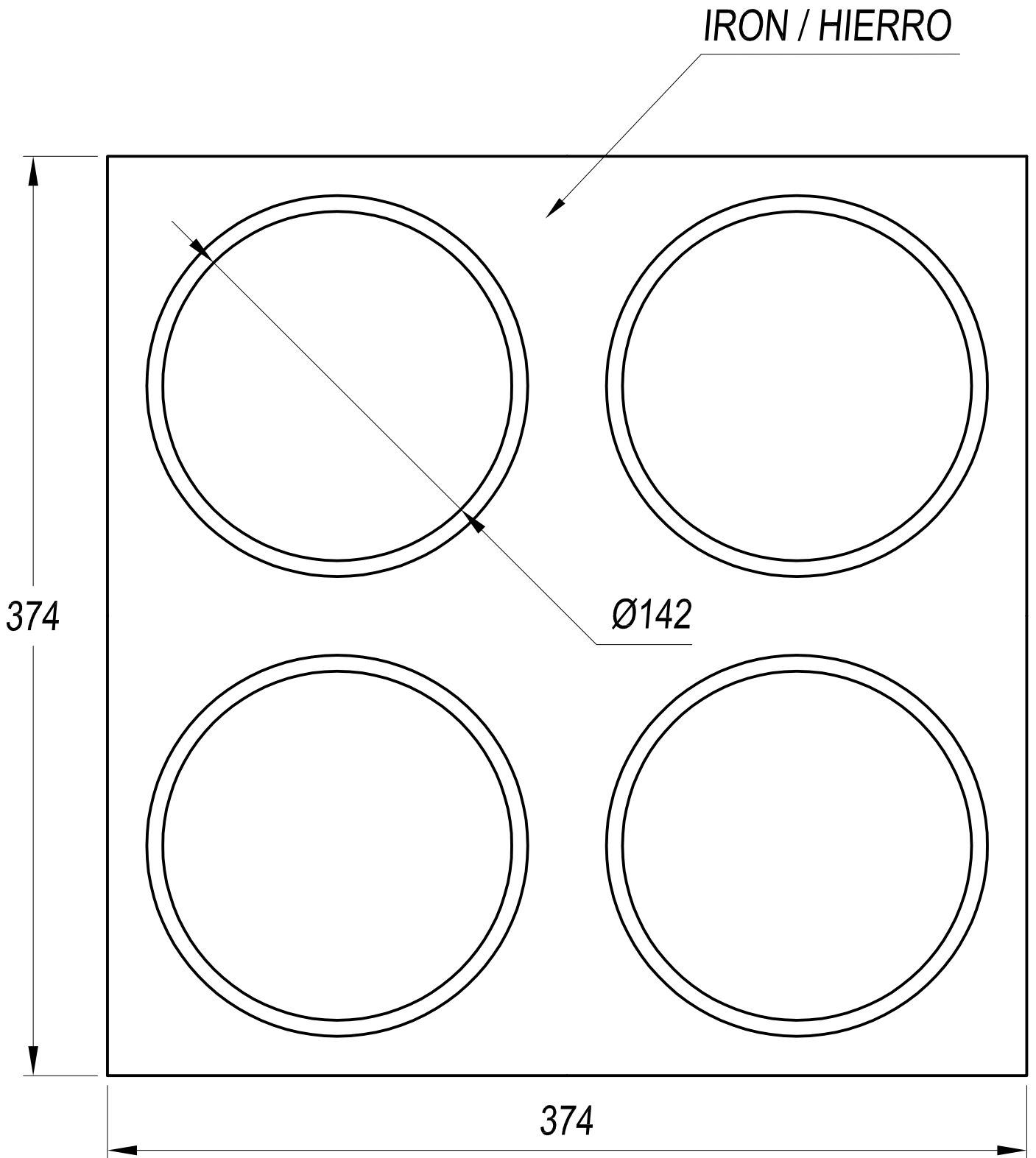
Type:	Accessory
Warranty (Years):	2
Units per box:	10
Net Weight (Kg):	0.475
EAN:	8435111041888,00



MATERIALS / FINISHES

Structure material: Steel

Structure finish: Grey



337x337

NO

APLICA