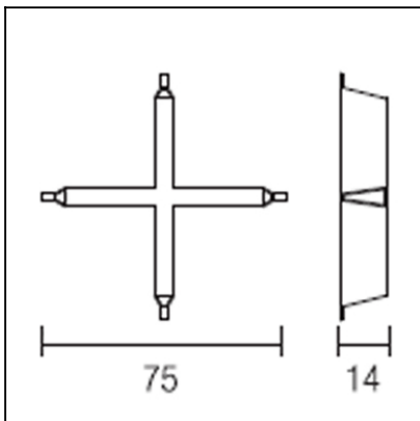


TRIMIUM S100

ACT-0294-00-00



The photograph may not match the reference exactly. Please read the product description to identify the finish.



Download photometric file .ldt /.ies

DESCRIPTION

Low luminance cross louvre

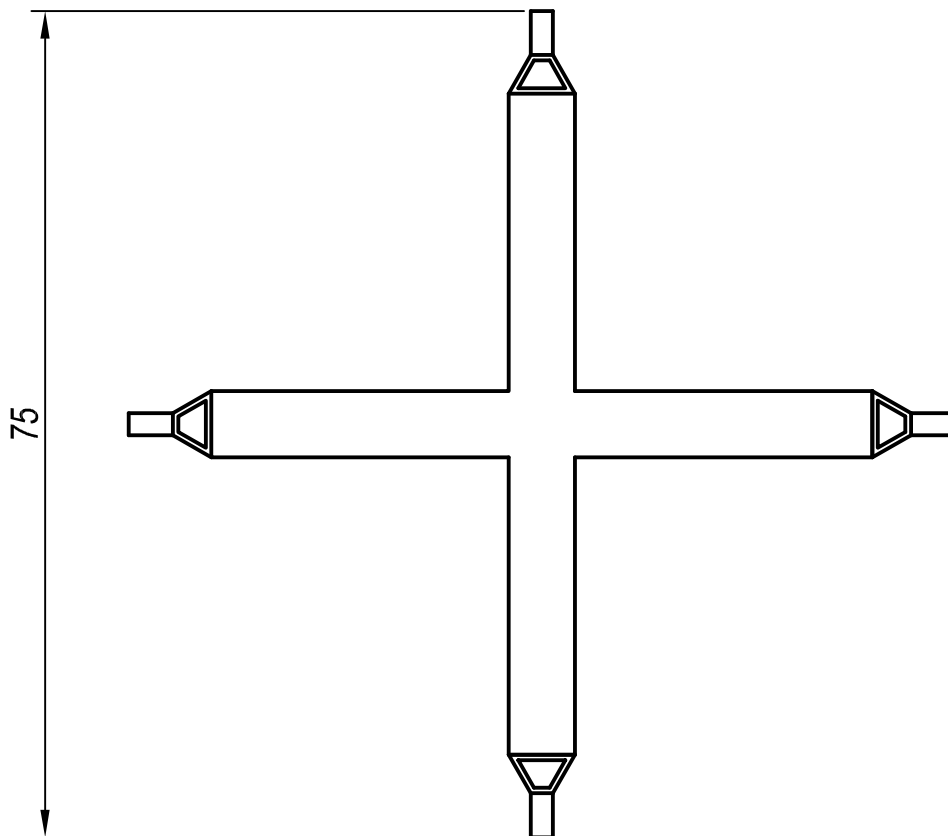
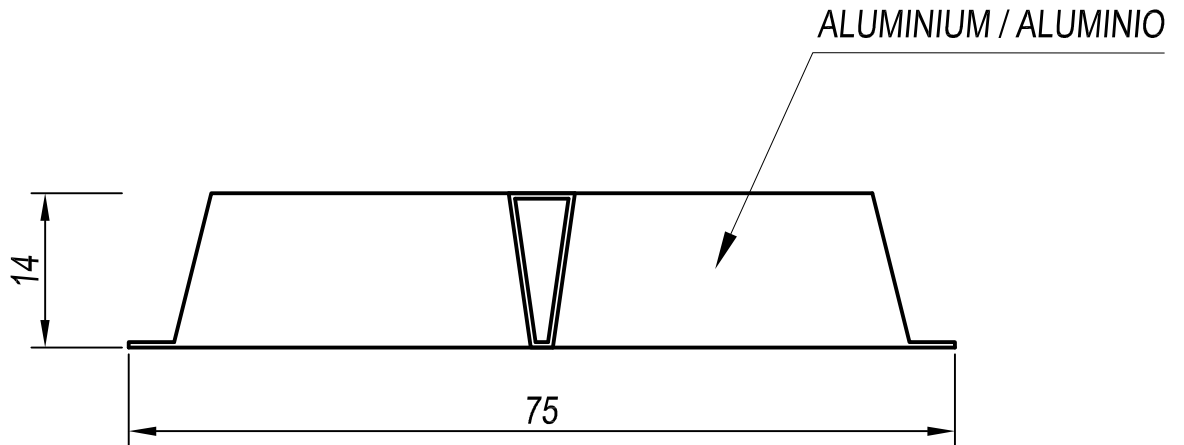
TECHNICAL CHARACTERISTICS

Type:	Accessory
Warranty (Years):	2
Units per box:	1
Net Weight (Kg):	0.015
EAN:	8435111042908,00



MATERIALS / FINISHES

Structure material: Anodized aluminium



NO

APLICA