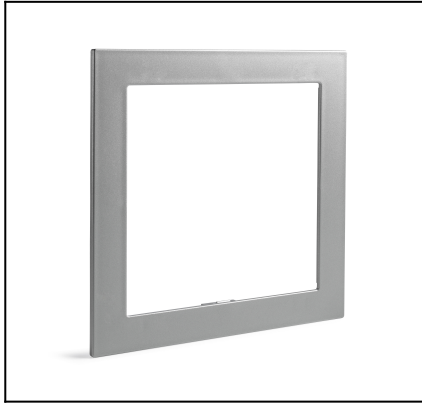
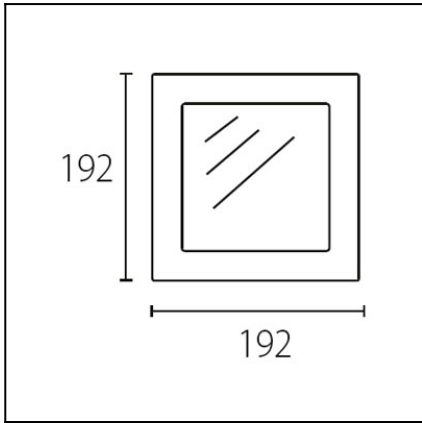


MINI FRAME ACT-9138-N3-T2



The photograph may not match the reference exactly. Please read the product description to identify the finish.



[Download photometric file .ldt /.ies](#)

TECHNICAL CHARACTERISTICS

Type:	Accessory
IP Protection degrees:	IP54
Warranty (Years):	2
Units per box:	14
Net Weight (Kg):	0.215
EAN:	8435111090756,00



MATERIALS / FINISHES

Structure material: Polycarbonate

Diffuser material: Tempered glass

Structure finish: Grey

Diffuser finish: Sandblasted

Report No.:

Test Time: 2012-10-15 16:58

Luminaire Property

Luminaire Manufacturer: leds-c4
 Luminaire Category: ACT-9138
 Lamp Catalog: CFL
 Number of Lamps: 1
 Luminous Length (mm): 200
 Luminous Height (mm): 120
 Current: 0.086 A
 Power Factor: 0.953

Luminaire Description: MINI FRAME
 Lamp Description: G24Q
 Lumens per Lamp: 1200
 Luminous Width (mm): 200
 Voltage: 220.9 V
 Power: 18.20 W

Photometric Results

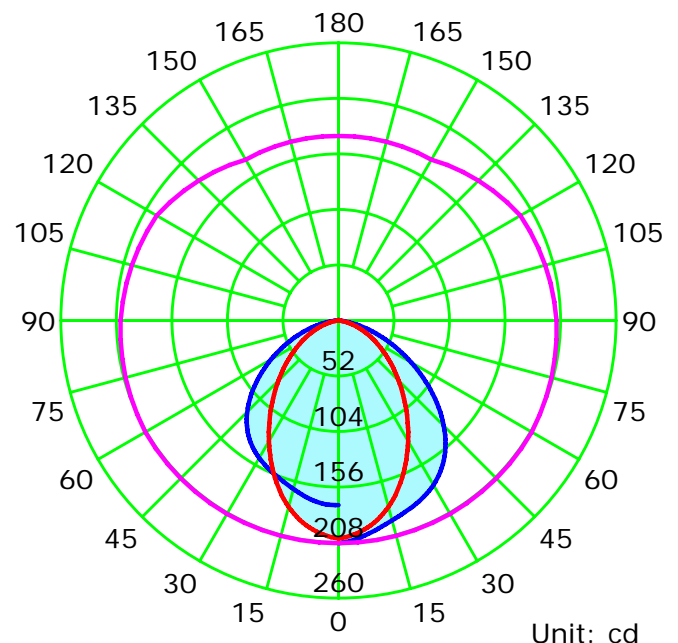
CIE Class: Direct
 Measurement Flux: 432.6 lm
 Downward Ratio: 36.03%
 Field Angle: H154.6 V139.7
 Luminaire Efficacy Rating (LER): 24
 Max. Intensity: 209.04 cd

Total Rated Lamp Lumens: 1200.0 lm
 Efficiency: 36.05%
 Upward Ratio: 0.02%
 Beam Angle: H110.0 V76.1
 Central Intensity: 208.5 cd
 Pos of Max. Intensity: H30 V0

Picture Of Luminaire



Luminous Intensity Distribution Curve

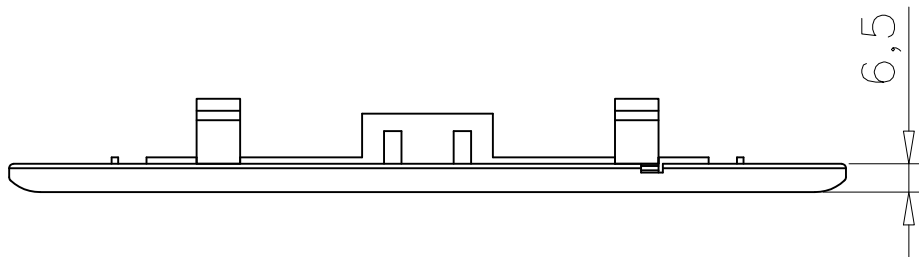
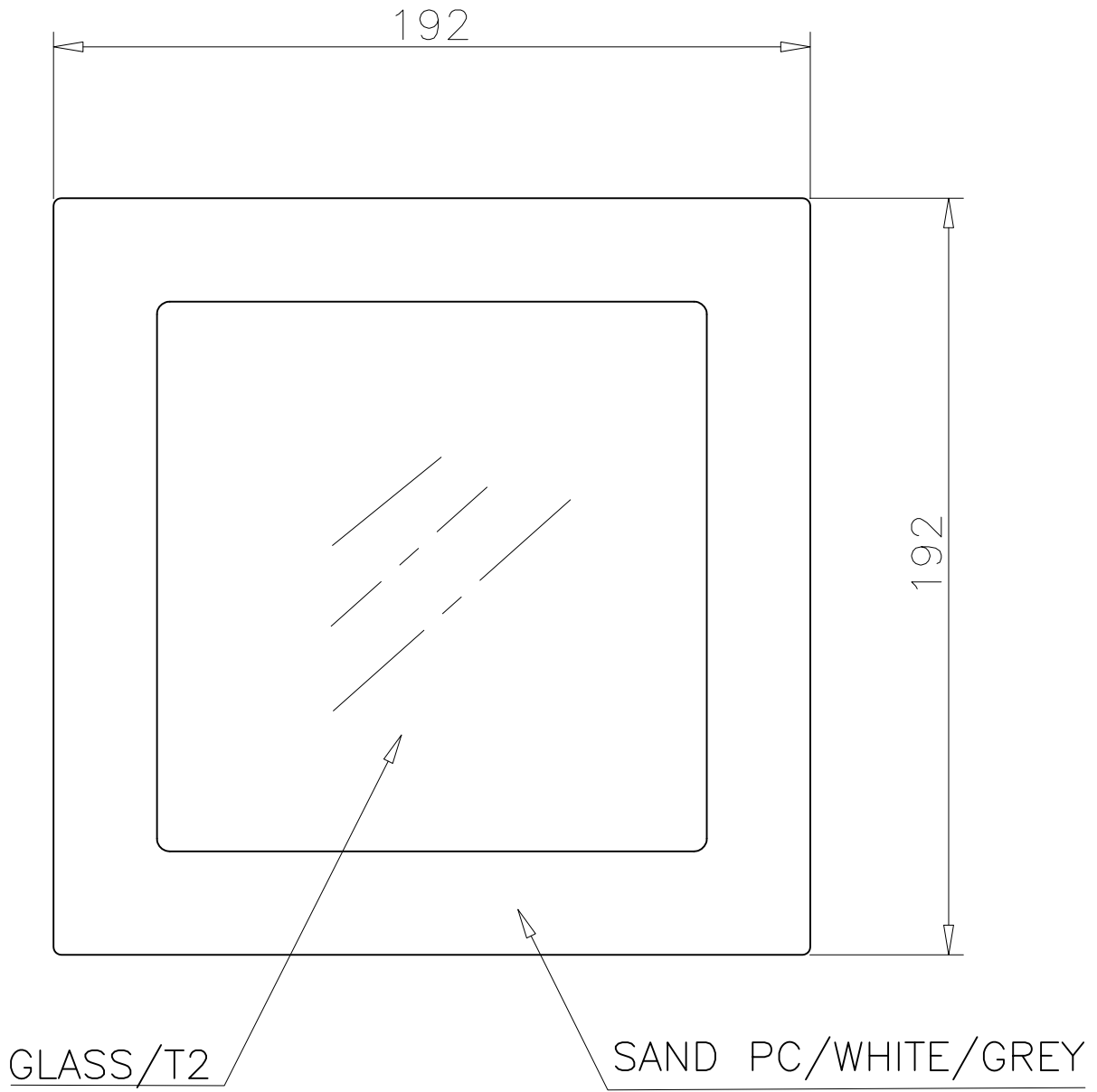


Average Diffuse Angle(50%): 93.1°

— C0-C180 — C90-C270 — G0

C Plane (°):0.0-180.0: 30.0
 Test Lab:
 Test Type: TYPE C
 Temperature:
 Operator:

Gamma Plane (°):0.0-180.0:1.0
 Test Device: GPM-1800B
 Distance: 4.755 m
 Humidity:
 Inspector:



NO

APLICA