

# MINI FRAME ACT-9140-N3-T2



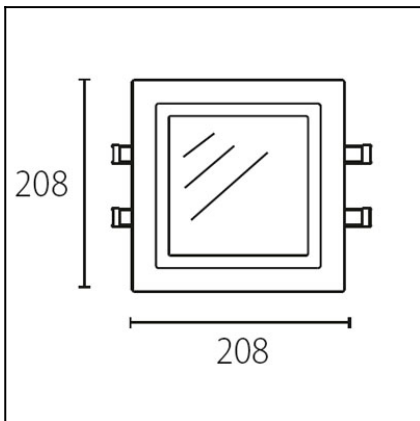
The photograph may not match the reference exactly. Please read the product description to identify the finish.

## DESCRIPTION

High visual comfort

## TECHNICAL CHARACTERISTICS

Type:	Accessory
IP Protection degrees:	IP54
Warranty (Years):	2
Units per box:	12
Net Weight (Kg):	0.69
EAN:	8435111090794,00



## MATERIALS / FINISHES

**Structure material:** Polycarbonate

**Structure finish:** Grey

**Diffuser material:** Tempered glass

**Diffuser finish:** Sandblasted

[Download photometric file .ldt /.ies](#)

Report No.:

Test Time: 2012-8-28 17:25

## Luminaire Property

Luminaire Manufacturer: leds-c4  
 Luminaire Category: ACT-9140  
 Lamp Catalog: CFL  
 Number of Lamps: 1  
 Luminous Length (mm): 200  
 Luminous Height (mm): 120  
 Current: 0.085 A  
 Power Factor: 0.960

Luminaire Description: MINI FRAME  
 Lamp Description: G24Q  
 Lumens per Lamp: 1200  
 Luminous Width (mm): 200  
 Voltage: 221.3 V  
 Power: 18.20 W

## Photometric Results

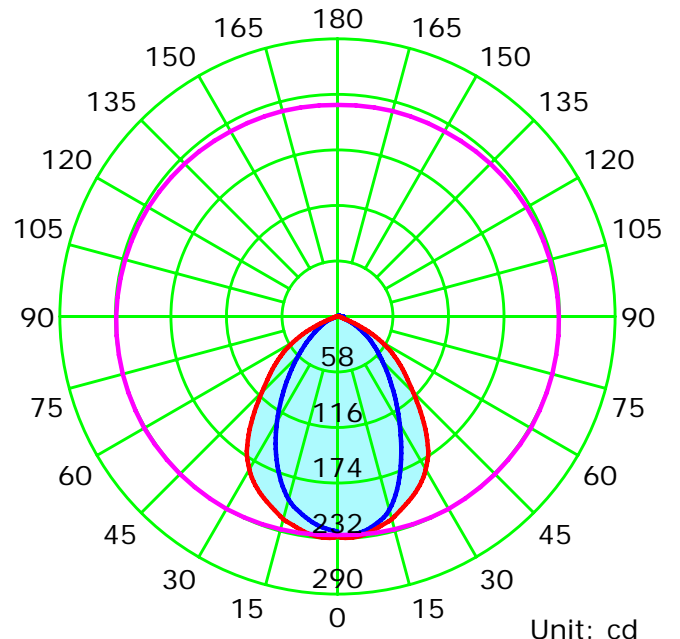
CIE Class: Direct  
 Measurement Flux: 407.1 lm  
 Downward Ratio: 33.17%  
 Field Angle: H121.6 V133.9  
 Luminaire Efficacy Rating (LER): 22  
 Max. Intensity: 233.2 cd

Total Rated Lamp Lumens: 1200.0 lm  
 Efficiency: 33.92%  
 Upward Ratio: 0.76%  
 Beam Angle: H65.8 V88.4  
 Central Intensity: 228.12 cd  
 Pos of Max. Intensity: H60 V4

Picture Of Luminaire



Luminous Intensity Distribution Curve

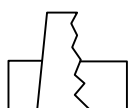
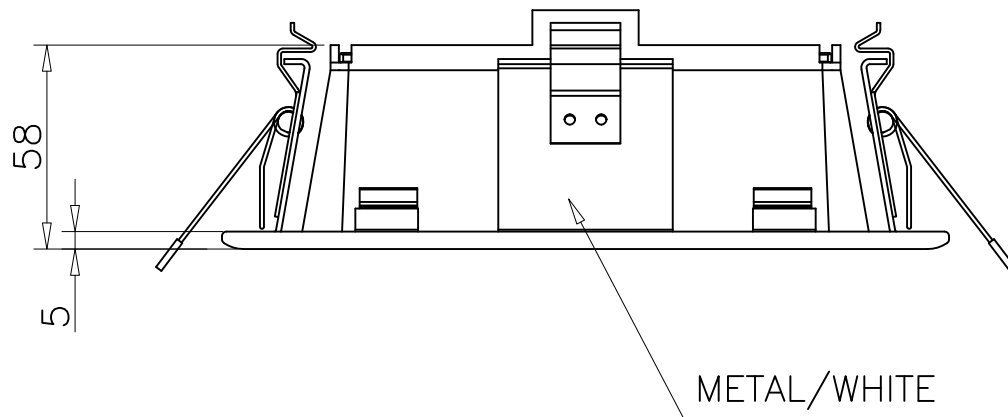
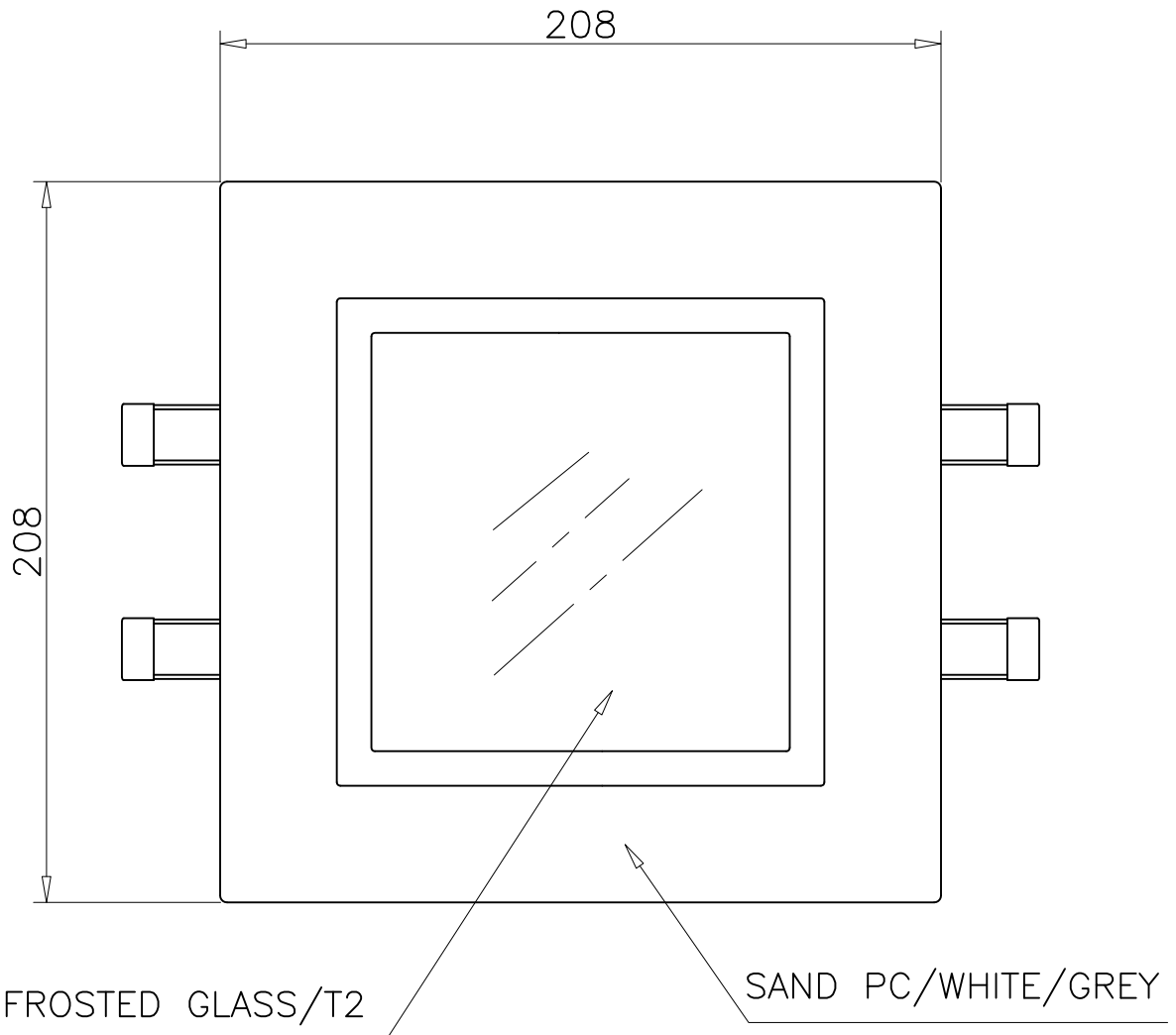


Average Diffuse Angle(50%): 77.1°

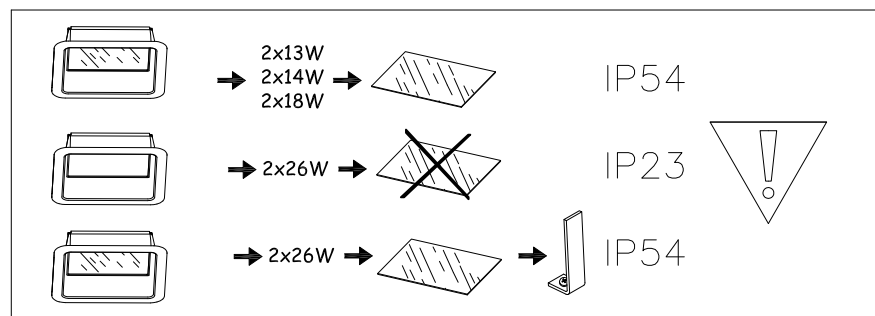
— C0-C180 — C90-C270 — G4

C Plane (°):0.0-180.0: 30.0  
 Test Lab:  
 Test Type: TYPE C  
 Temperature:  
 Operator:

Gamma Plane (°):0.0-180.0:1.0  
 Test Device: GPM-1800B  
 Distance: 4.755 m  
 Humidity:  
 Inspector:



**185X185**



**29/05/12**

***NO***

***APLICA***