

# MINI FRAME ACT-9144-N3-T2



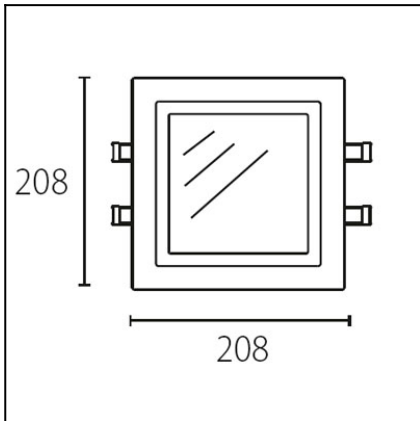
The photograph may not match the reference exactly. Please read the product description to identify the finish.

## DESCRIPTION

High visual comfort

## TECHNICAL CHARACTERISTICS

Type:	Accessory
IP Protection degrees:	IP54
Warranty (Years):	2
Units per box:	1
Net Weight (Kg):	0.65
EAN:	8435111096024,00



## MATERIALS / FINISHES

**Structure material:** Polycarbonate

**Structure finish:** Grey

**Diffuser material:** Tempered glass

**Diffuser finish:** Partly-sandblasted

[Download photometric file .ldt /.ies](#)

Report No.:

Test Time: 2012-8-28 17:50

## Luminaire Property

Luminaire Manufacturer: leds-c4  
 Luminaire Category: ACT-9144  
 Lamp Catalog: CFL  
 Number of Lamps: 1  
 Luminous Length (mm): 200  
 Luminous Height (mm): 120  
 Current: 0.084 A  
 Power Factor: 0.958

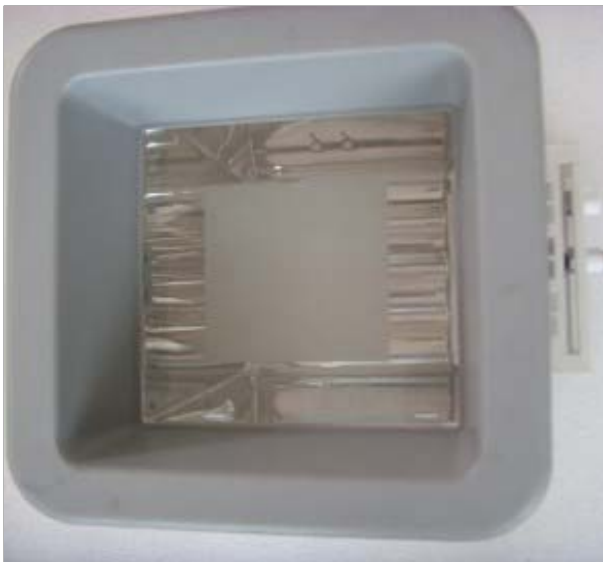
Luminaire Description: MINI FRAME  
 Lamp Description: G24Q  
 Lumens per Lamp: 1200  
 Luminous Width (mm): 200  
 Voltage: 221.0 V  
 Power: 17.90 W

## Photometric Results

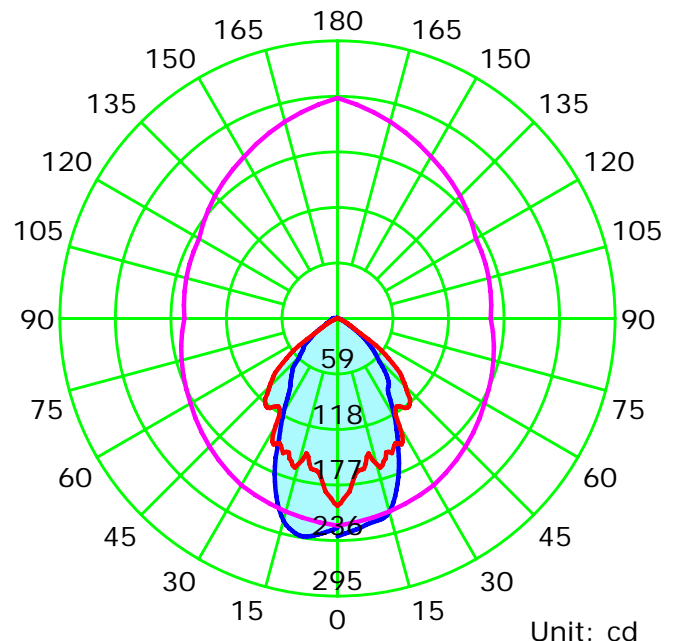
CIE Class: Direct  
 Measurement Flux: 351.1 lm  
 Downward Ratio: 28.58%  
 Field Angle: H115.8 V118.5  
 Luminaire Efficacy Rating (LER): 20  
 Max. Intensity: 234.42 cd

Total Rated Lamp Lumens: 1200.0 lm  
 Efficiency: 29.26%  
 Upward Ratio: 0.68%  
 Beam Angle: H60.7 V91.5  
 Central Intensity: 231.45 cd  
 Pos of Max. Intensity: H180 V9

Picture Of Luminaire



Luminous Intensity Distribution Curve

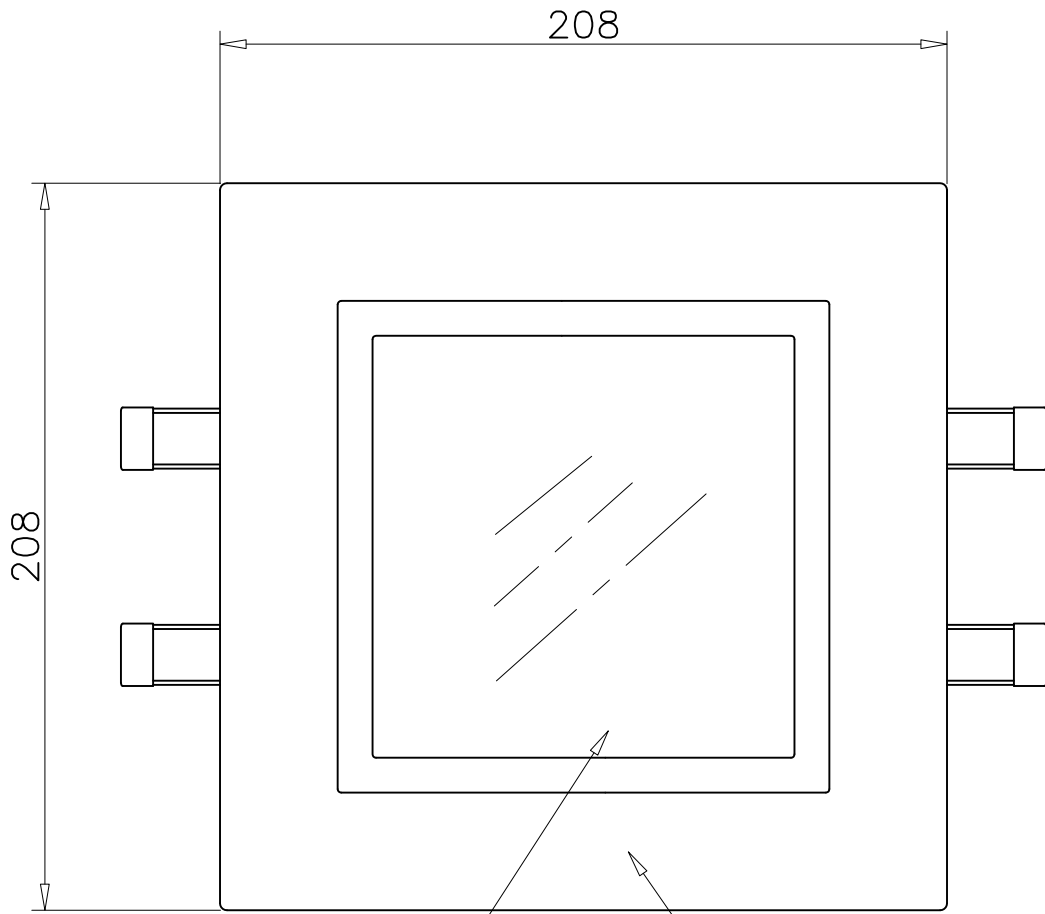


Average Diffuse Angle(50%): 76.1°

— C0-C180 — C90-C270 — G9

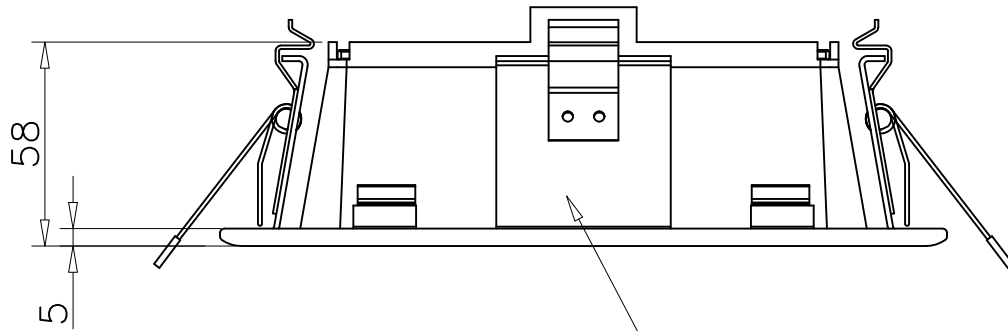
C Plane (°):0.0-180.0: 30.0  
 Test Lab:  
 Test Type: TYPE C  
 Temperature:  
 Operator:

Gamma Plane (°):0.0-180.0:1.0  
 Test Device: GPM-1800B  
 Distance: 4.755 m  
 Humidity:  
 Inspector:



SEMIFROSTED GLASS /  
CRISTAL SEMI ARENADO

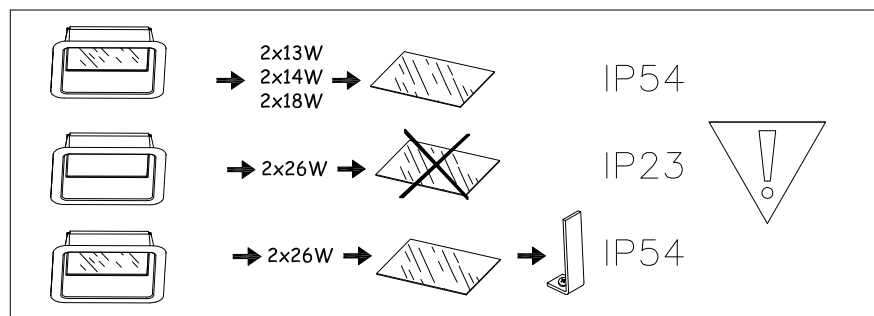
SAND PC/WHITE/GREY



METAL/WHITE



**185X185**



**29/05/12**

***NO***

***APLICA***