

MINI FRAME ACT-9145-14-T2



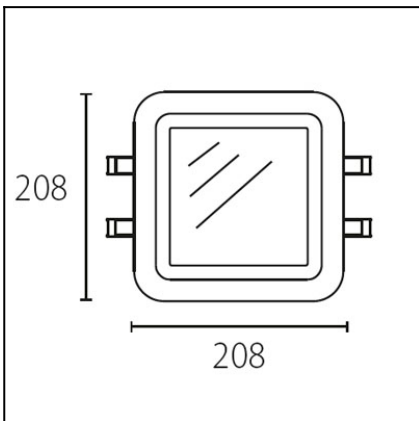
The photograph may not match the reference exactly. Please read the product description to identify the finish.

DESCRIPTION

High visual comfort

TECHNICAL CHARACTERISTICS

Type:	Accessory
IP Protection degrees:	IP54
Warranty (Years):	2
Units per box:	1
Net Weight (Kg):	0.655
EAN:	8435111096031,00



MATERIALS / FINISHES

Structure material: Polycarbonate

Structure finish: White

Diffuser material: Tempered glass

Diffuser finish: Partly-sandblasted

Download photometric file .ldt /.ies

Report No.:

Test Time: 2012-8-28 17:50

Luminaire Property

Luminaire Manufacturer: leds-c4
 Luminaire Category: ACT-9144
 Lamp Catalog: CFL
 Number of Lamps: 1
 Luminous Length (mm): 200
 Luminous Height (mm): 120
 Current: 0.084 A
 Power Factor: 0.958

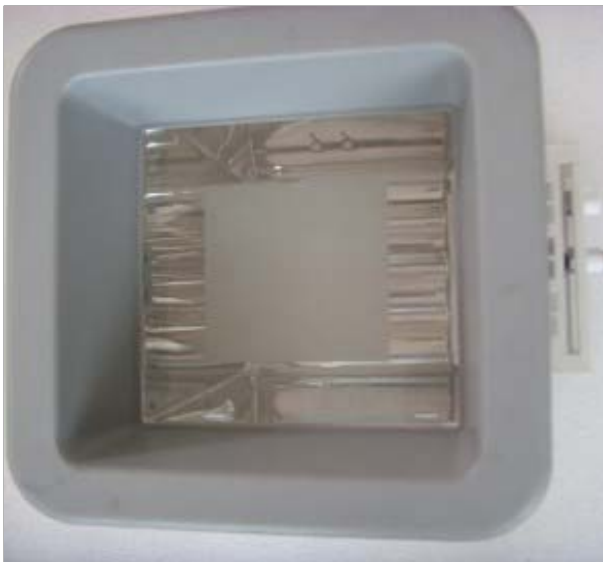
Luminaire Description: MINI FRAME
 Lamp Description: G24Q
 Lumens per Lamp: 1200
 Luminous Width (mm): 200
 Voltage: 221.0 V
 Power: 17.90 W

Photometric Results

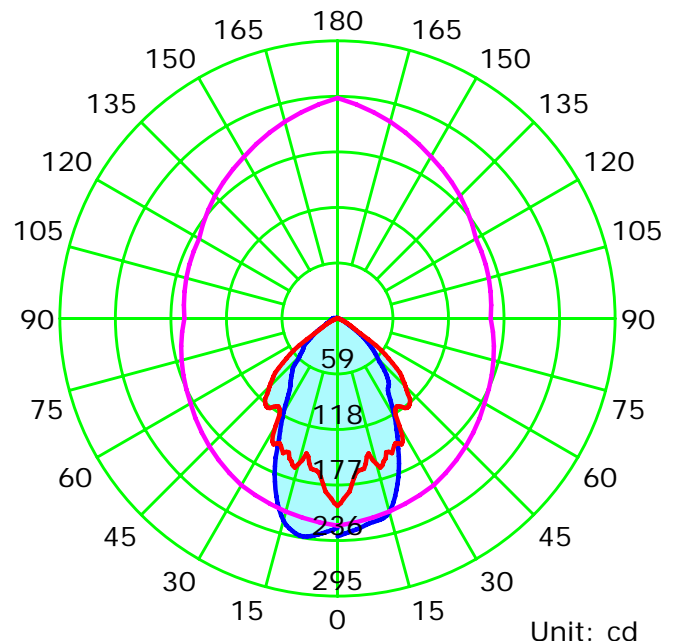
CIE Class: Direct
 Measurement Flux: 351.1 lm
 Downward Ratio: 28.58%
 Field Angle: H115.8 V118.5
 Luminaire Efficacy Rating (LER): 20
 Max. Intensity: 234.42 cd

Total Rated Lamp Lumens: 1200.0 lm
 Efficiency: 29.26%
 Upward Ratio: 0.68%
 Beam Angle: H60.7 V91.5
 Central Intensity: 231.45 cd
 Pos of Max. Intensity: H180 V9

Picture Of Luminaire



Luminous Intensity Distribution Curve

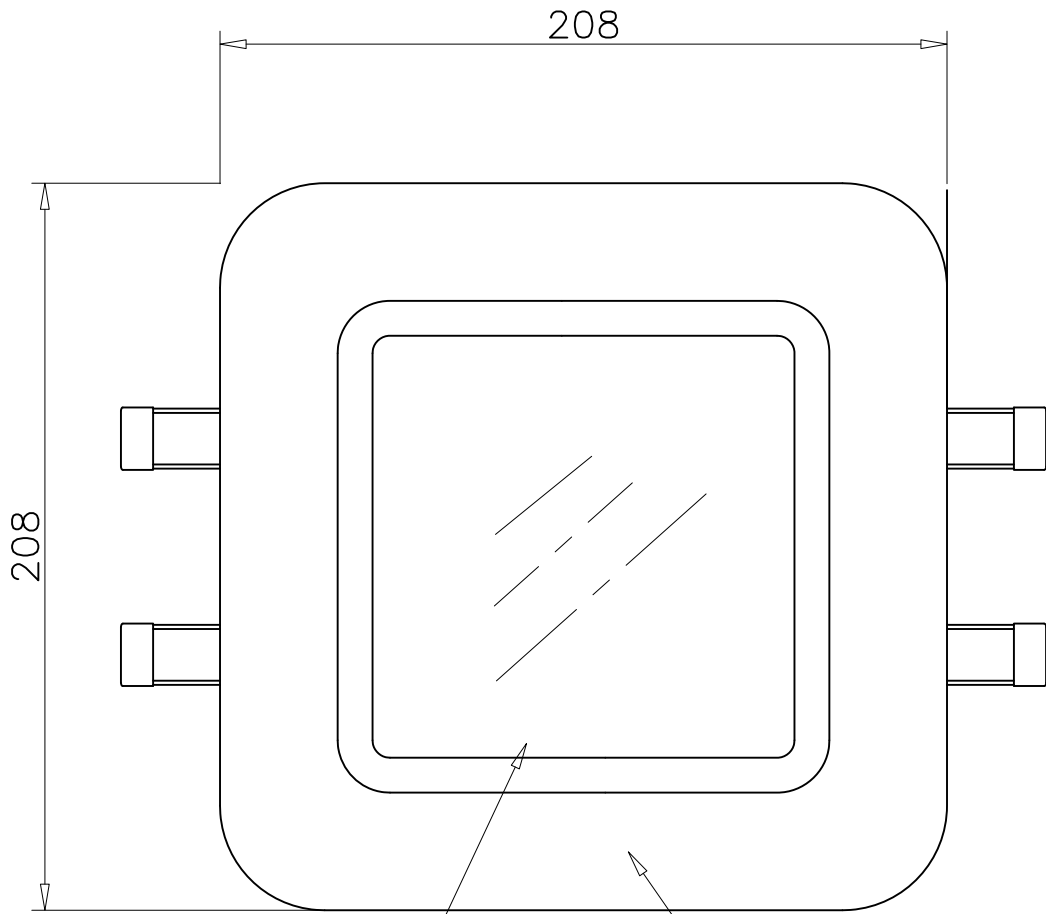


Average Diffuse Angle(50%): 76.1°

— C0-C180 — C90-C270 — G9

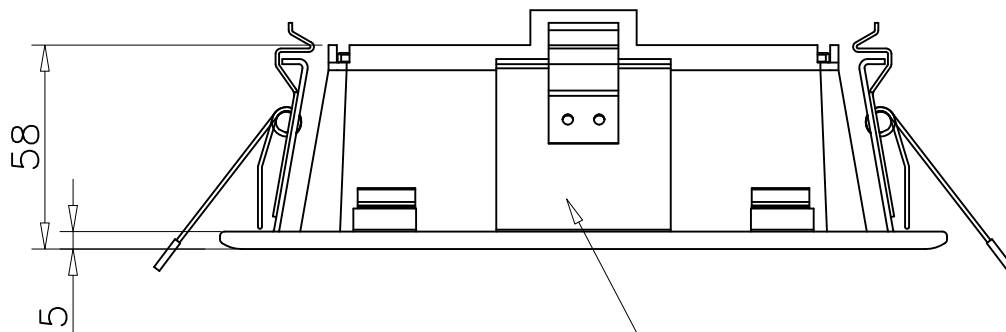
C Plane (°):0.0-180.0: 30.0
 Test Lab:
 Test Type: TYPE C
 Temperature:
 Operator:

Gamma Plane (°):0.0-180.0:1.0
 Test Device: GPM-1800B
 Distance: 4.755 m
 Humidity:
 Inspector:



SEMIFROSTED GLASS /
CRISTAL SEMI ARENADO

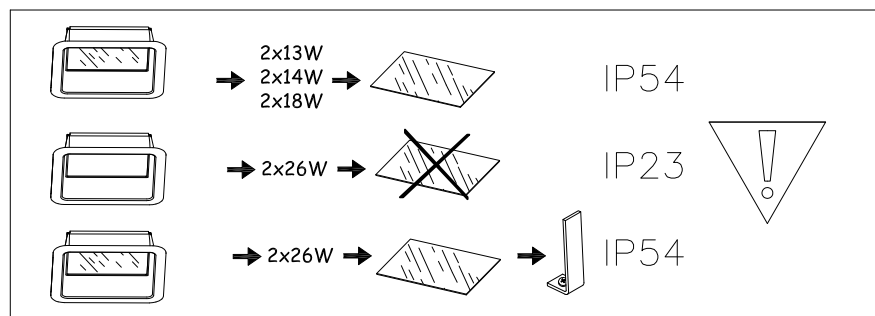
SAND PC/WHITE/GREY



METAL/WHITE



185X185



29/05/12

NO

APLICA