

MINI FRAME ACT-9148-N3-H6



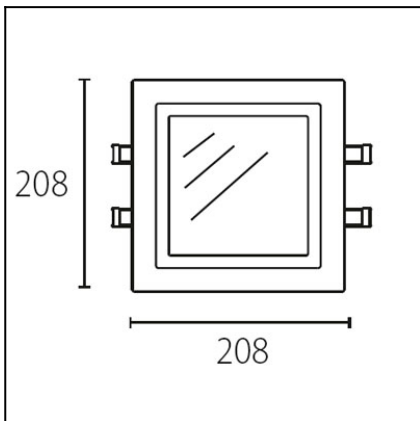
The photograph may not match the reference exactly. Please read the product description to identify the finish.

DESCRIPTION

High visual comfort

TECHNICAL CHARACTERISTICS

Type:	Accessory
IP Protection degrees:	IP54
Warranty (Years):	2
Units per box:	1
Net Weight (Kg):	0.655
EAN:	8,43511E+12



MATERIALS / FINISHES

Structure material: Polycarbonate

Structure finish: Grey

Diffuser material: Tempered glass

Diffuser finish: Silkscreened

[Download photometric file .ldt /.ies](#)

Report No.:

Test Time: 2012-8-28 17:38

Luminaire Property

Luminaire Manufacturer: leds-c4
 Luminaire Category: ACT-9148
 Lamp Catalog: CFL
 Number of Lamps: 1
 Luminous Length (mm): 200 mm
 Luminous Height (mm): 120 mm
 Current: 0.085 A
 Power Factor: 0.952

Luminaire Description: MINI FRAME
 Lamp Description: G24Q
 Lumens per Lamp: 1200.0 lm
 Luminous Width (mm): 200 mm
 Voltage: 221.4 V
 Power: 18.00 W

Photometric Results

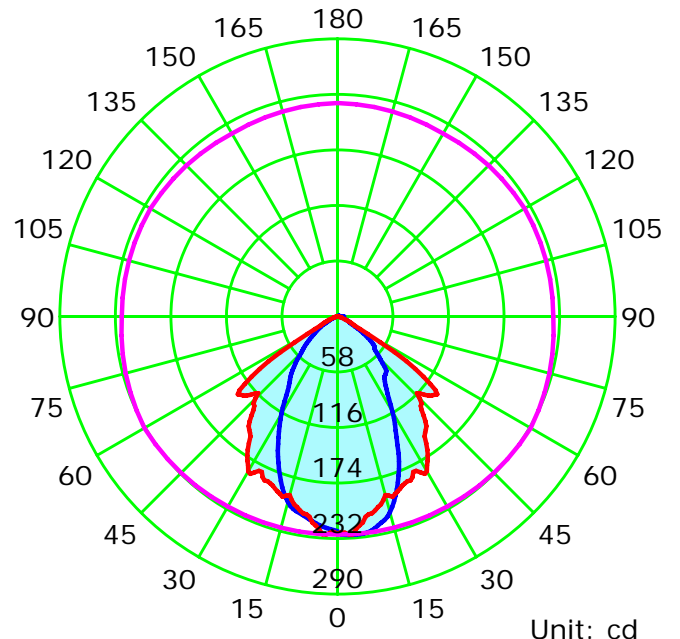
CIE Class: Direct
 Measurement Flux: 397.6 lm
 Downward Ratio: 32.41%
 Field Angle: H116.8 V123.3
 Luminaire Efficacy Rating (LER): 22
 Max. Intensity: 232.98 cd

Total Rated Lamp Lumens: 1200.0 lm
 Efficiency: 33.14%
 Upward Ratio: 0.73%
 Beam Angle: H60.9 V109.1
 Central Intensity: 227.11 cd
 Pos of Max. Intensity: H60 V1

Picture Of Luminaire



Luminous Intensity Distribution Curve

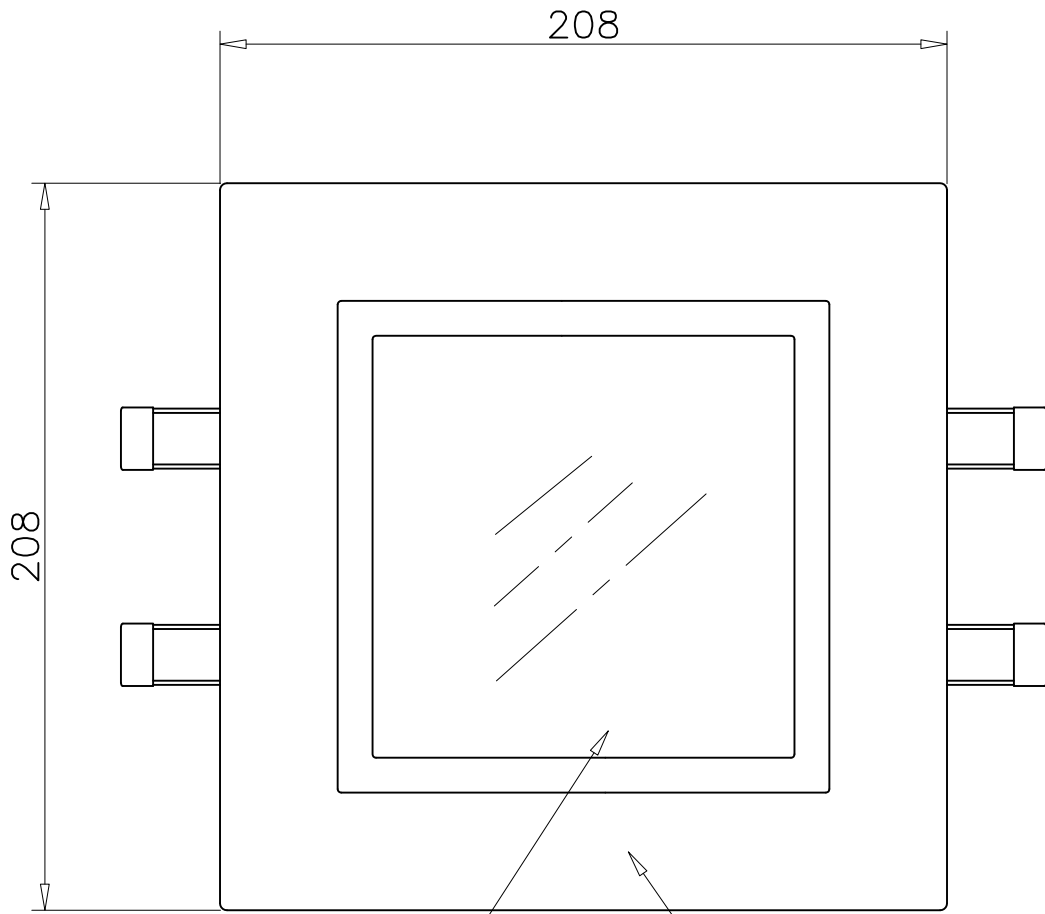


Average Diffuse Angle(50%): 85.0°

— C0-C180 — C90-C270 — G1

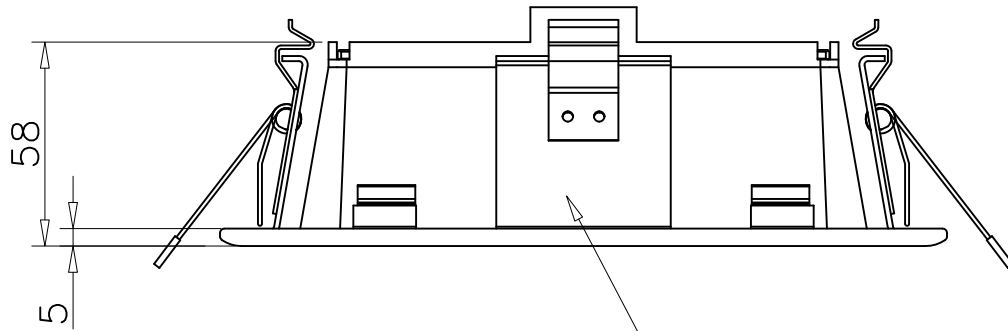
C Plane (°):0.0-180.0: 30.0
 Test Lab:
 Test Type: TYPE C
 Temperature:
 Operator:

Gamma Plane (°):0.0-180.0:1.0
 Test Device: GPM-1800B
 Distance: 4.755 m
 Humidity:
 Inspector:

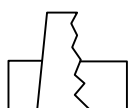


SERIGRAPHY GLASS /
CRISTAL SERIGRAFIADO

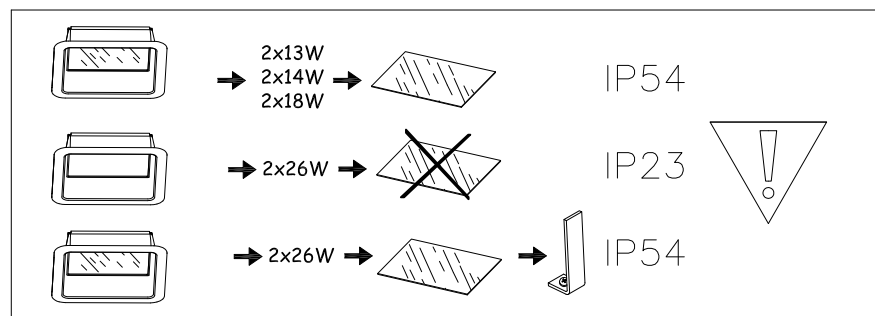
SAND PC/WHITE/GREY



METAL/WHITE



185X185



NO

APLICA