

The photograph may not match the reference exactly. Please read the product description to identify the finish.

[Download photometric file .ldt /.ies](#)

DESCRIPTION

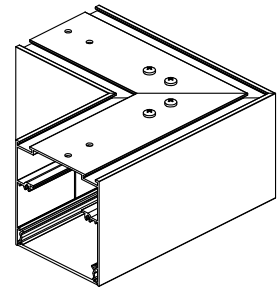
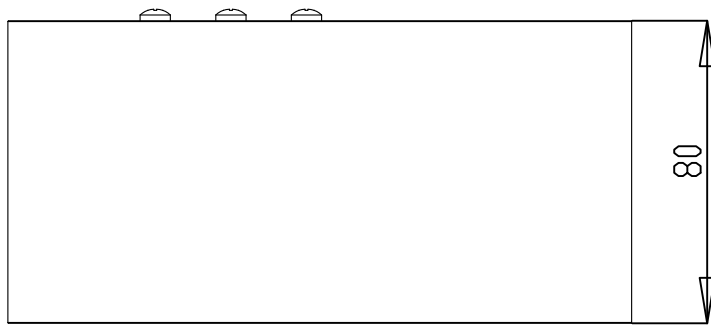
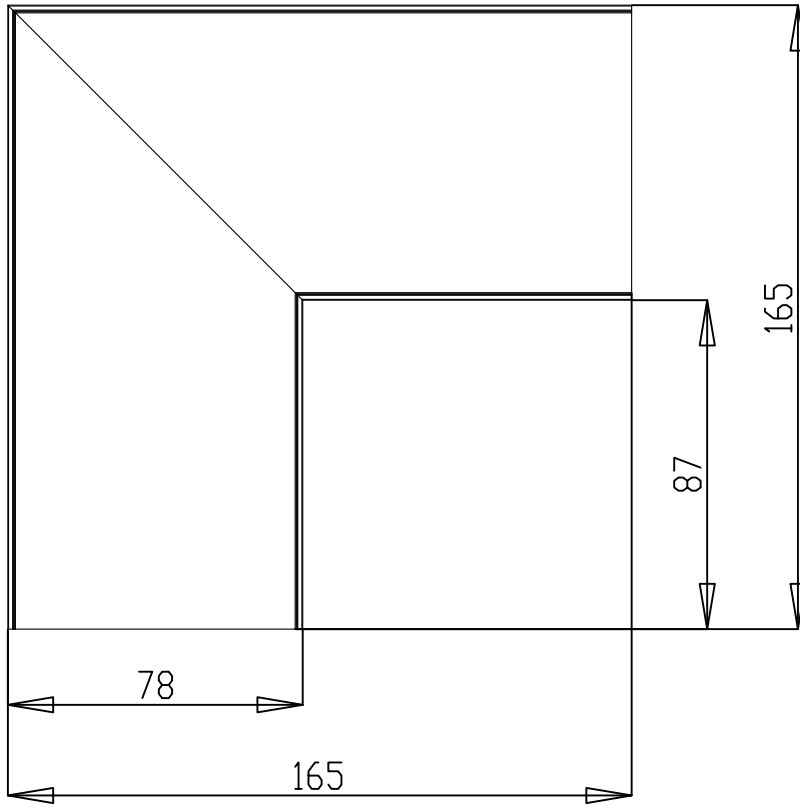
L-shape connector kit + PC cover

TECHNICAL CHARACTERISTICS

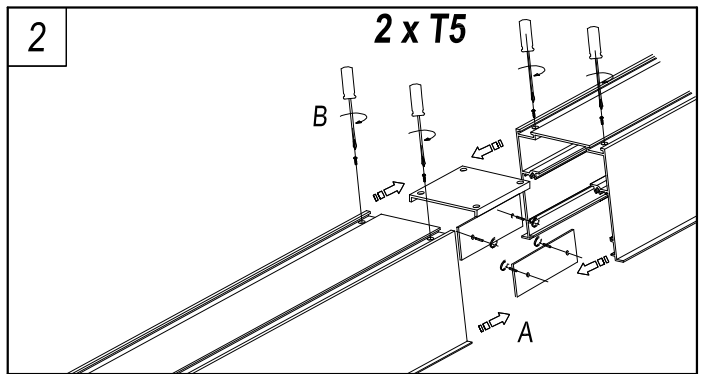
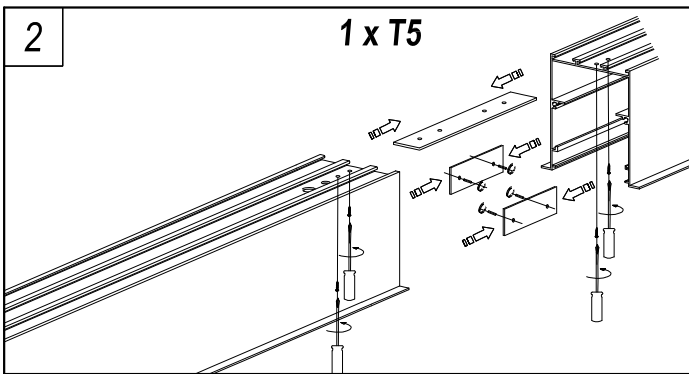
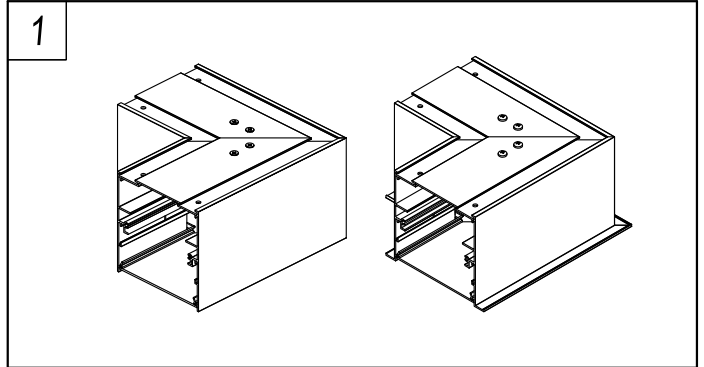
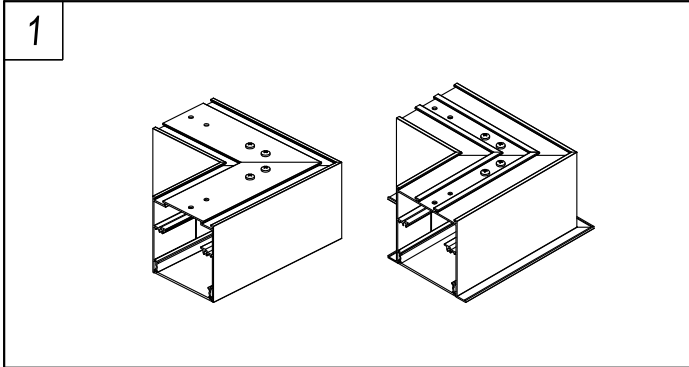
Type:	Accessory
IP Protection degrees:	IP20
Warranty (Years):	2
Units per box:	1
Net Weight (Kg):	0.47
EAN:	8,43538E+12



MATERIALS / FINISHES



REF.	LAMP.
ACT-9150-N3-00	1xTL5
ACT-9151-N3-00	1xTL5
ACT-9152-14-00	2xTL5
ACT-9153-14-00	2xTL5



REF.	LAMP.
ACT-9154-N3-00	1xTL5
ACT-9155-N3-00	2xTL5

