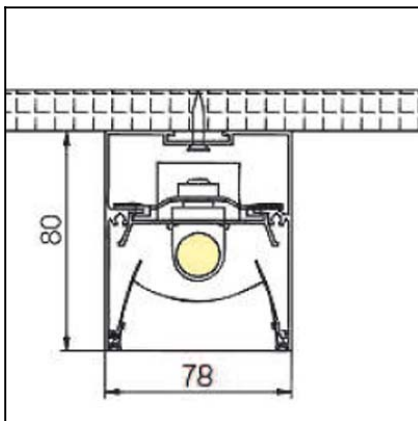


# INFINITE AD-0657-N3-00



The photograph may not match the reference exactly. Please read the product description to identify the finish.

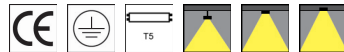


## DESCRIPTION

Linear fluorescent luminaires for suspended lighting, surface mounted, trimless recessed or trimmed recessed installation. Available in versions for one or two 36W, 54W or 80W T5 H.O. lamps. Housing produced in extruded aluminium, cover made of injected aluminium, polycarbonate or double parabolic diffusers and reflector made of high grade aluminium. Finish in grey and white. All lights are supplied with covers and electrical ballast. A wide selection of optional accessories are available for connecting several units.

## TECHNICAL CHARACTERISTICS

Type:	Ceiling fixture
IP Protection degrees:	IP20
Lampholder:	1 x G5
Power (W):	G5 54
Total power consumption (W):	58
Voltage / Frequency:	230V/50-60Hz
Warranty (Years):	2
Units per box:	1
Net Weight (Kg):	2.801
EAN:	0,00



## MATERIALS / FINISHES

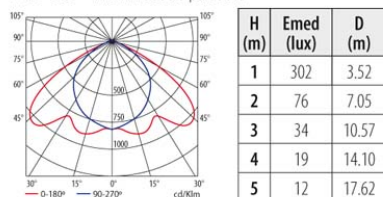
**Structure material:** Extruded aluminium

**Structure finish:** Grey

## GEAR

Gear included: Yes, electronic

TL5 G5 1x54W double parabolic



$\eta = 59,79\%$

Download photometric file .ldt / .ies

ACT-9091-N3-00

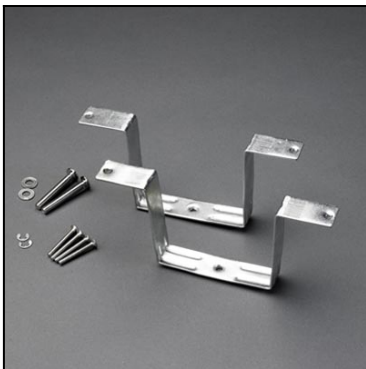


Steel cord

---

**Structure material:** Steel

ACT-9092-00-00

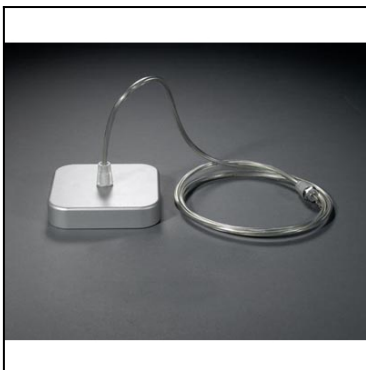


Trimless recessed kit

---

**Structure material:** Galvanized steel

ACT-9090-N3-00



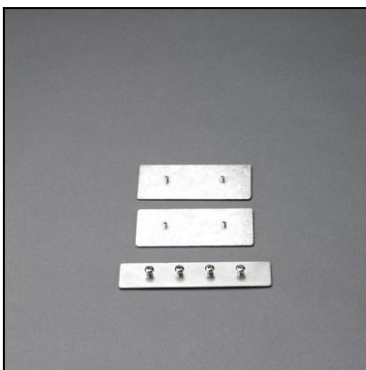
Power supply unit

---

**Structure material:** Injected aluminium

**Structure finish:** Grey

ACT-9114-00-00

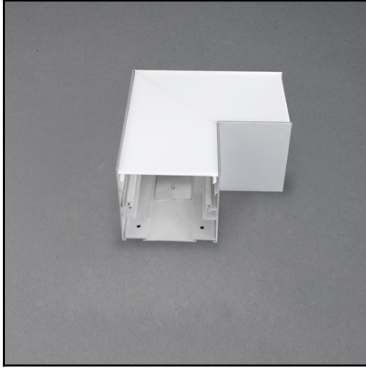


Profile union kit

---

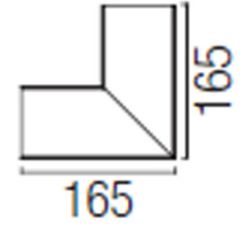
**Structure material:** Galvanized steel

**ACT-9150-N3-M1**



L-shape connector kit + PC cover

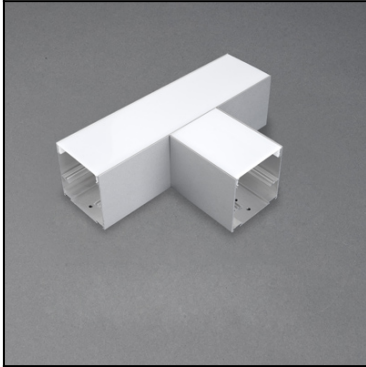
---



IP20

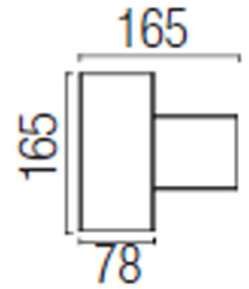
---

**ACT-9154-N3-M1**



T-shape connector kit + PC cover

---



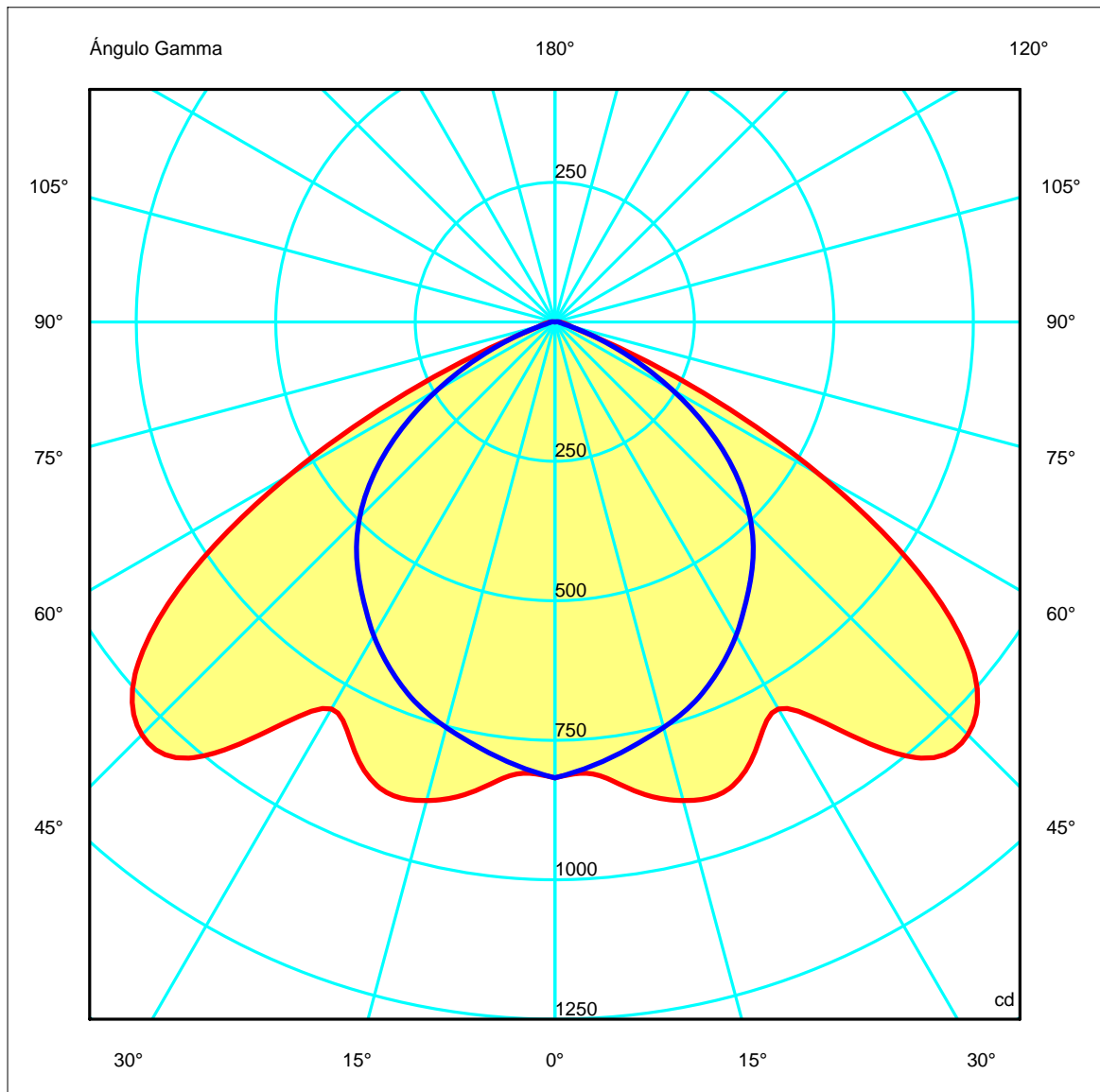
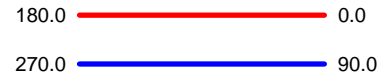
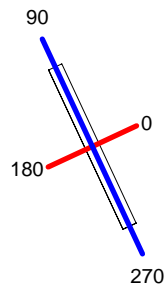
IP20

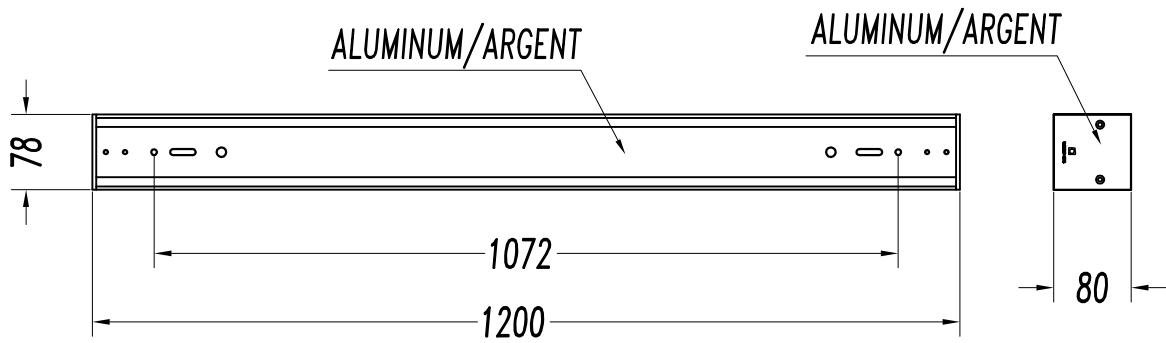
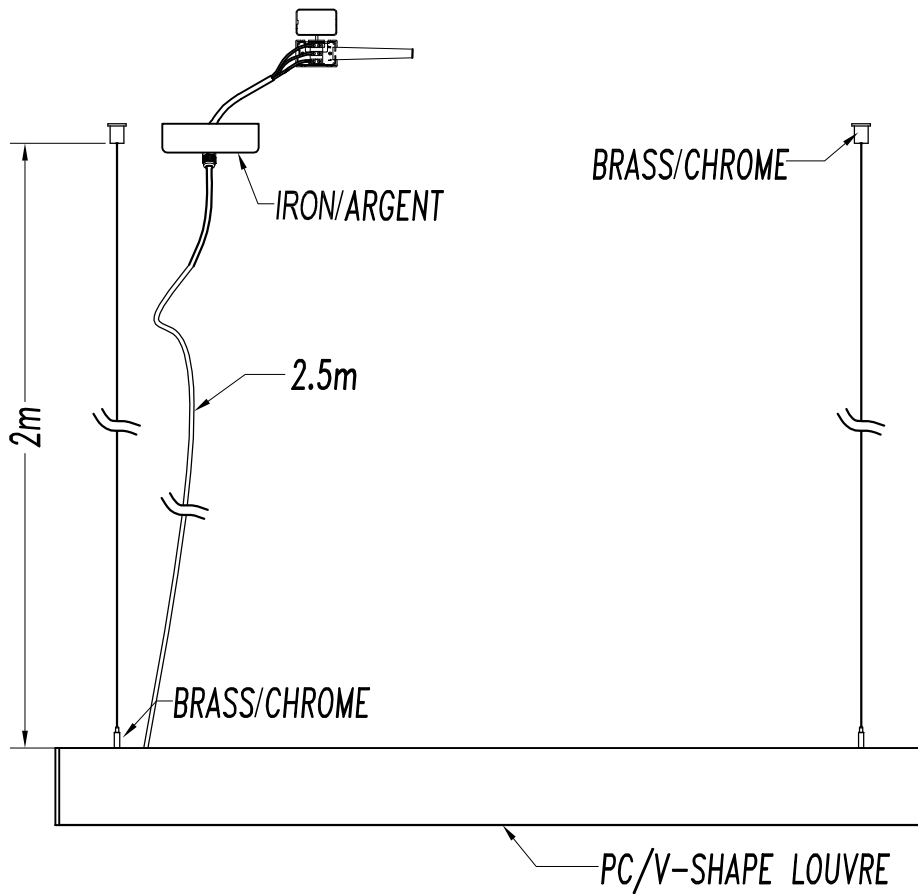
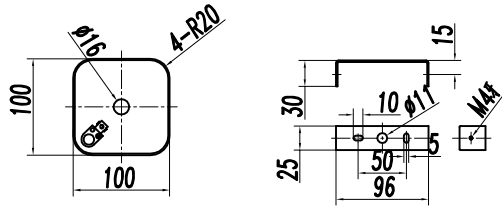
---

<b>Luminaria</b>		<b>Ensayo</b>		<b>Lámpara</b>	
Código	AD-0657-N3-00	Código	AD-0656-N3-00	Código	FQ 54 W/840 HO
Nombre	Luminaria 1x54W T5 parabolico	NombreLum.	1x39W T5 parabolico	Número	1
Familia	- LEDS-C4	Fecha	02-12-2010	Posición	Universal
Eficiencia	59.79%	Sist. de Coorden.	C-G	Flujo Total	4450.00 lm
Valor Máximo	1046.47 cd	Posición	C=0.00 G=45.00		Bisimétrico

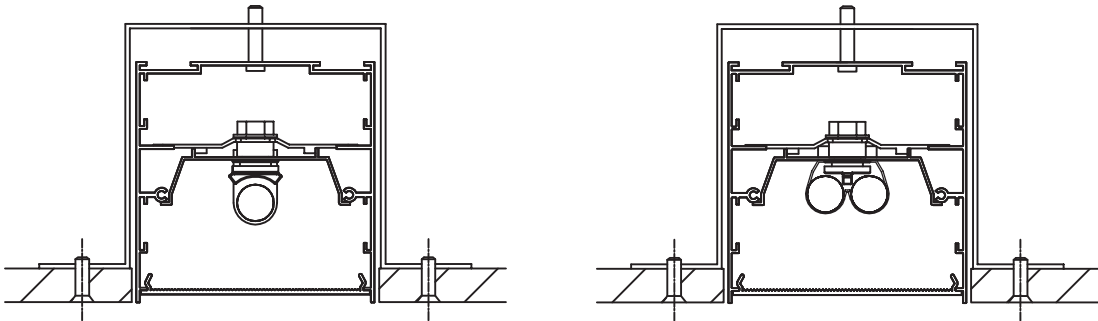
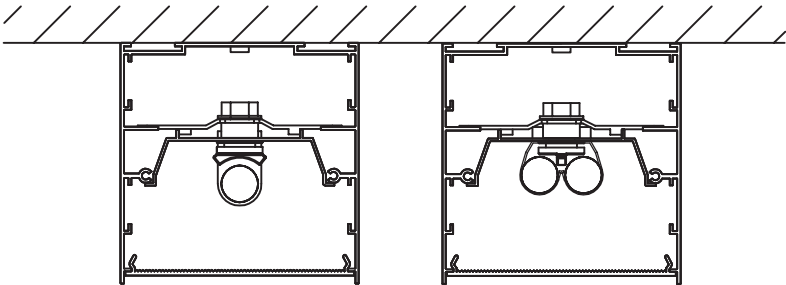
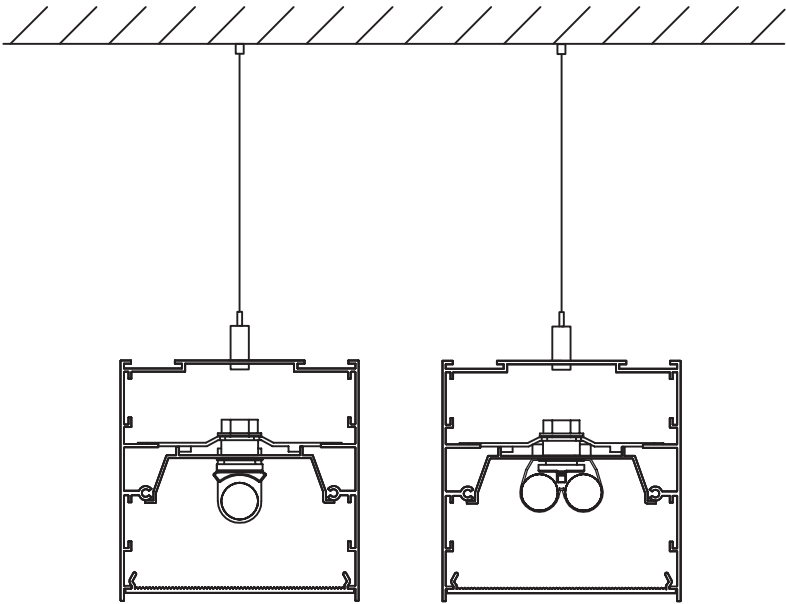
1215mm x 100mm

Semiplanos C

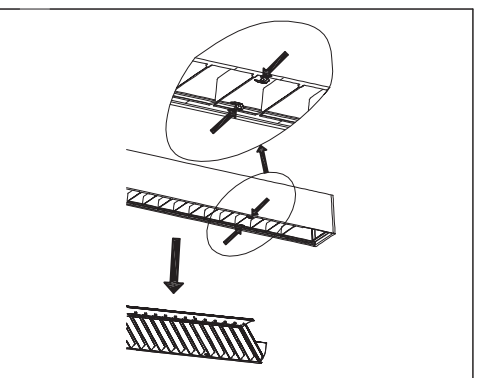
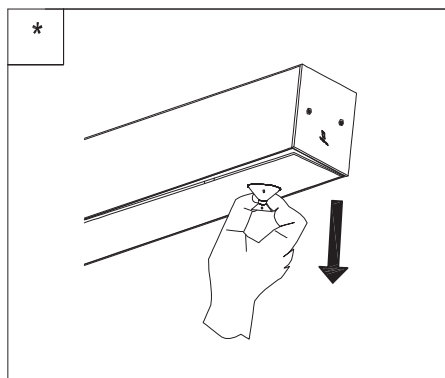
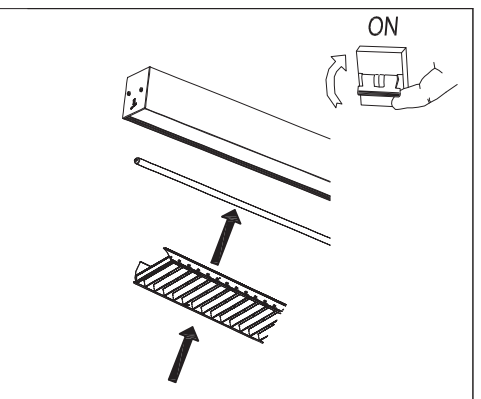
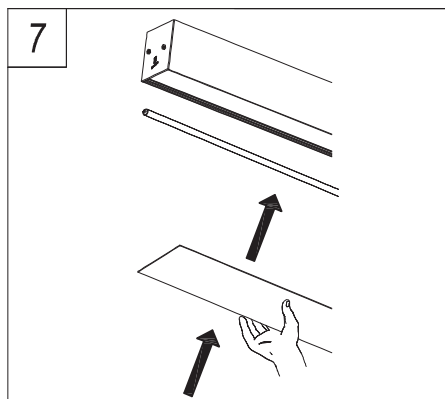
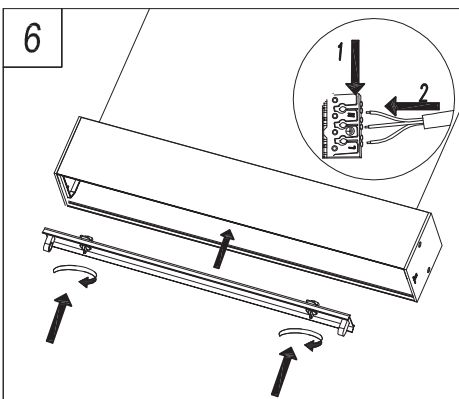
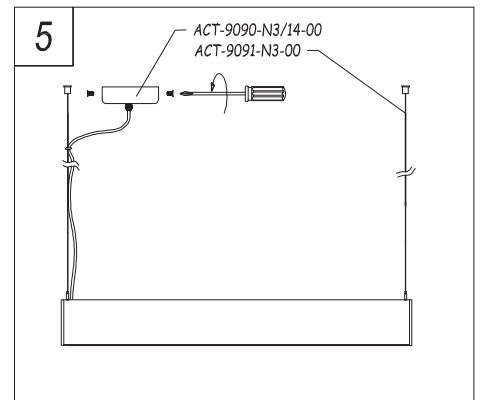
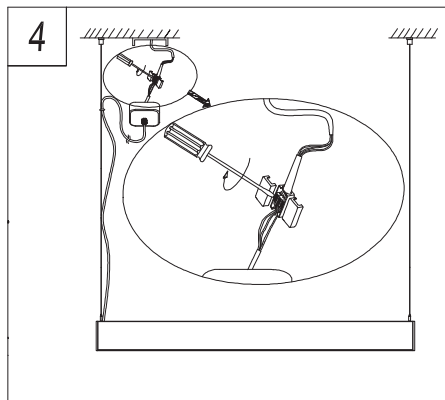
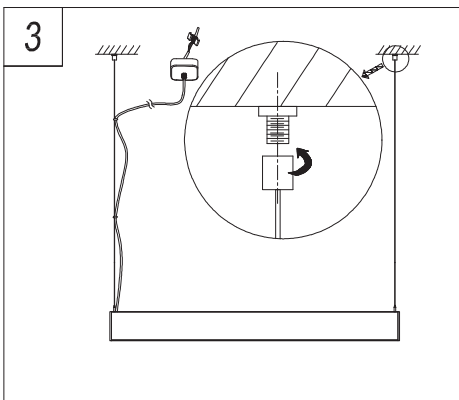
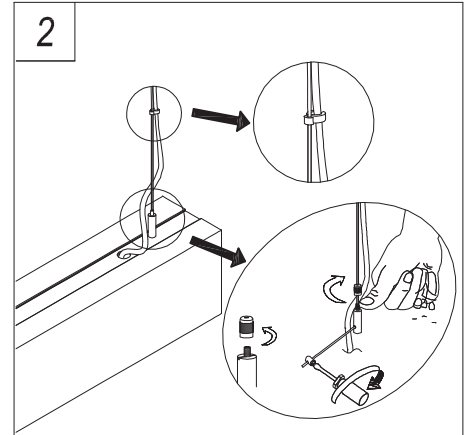
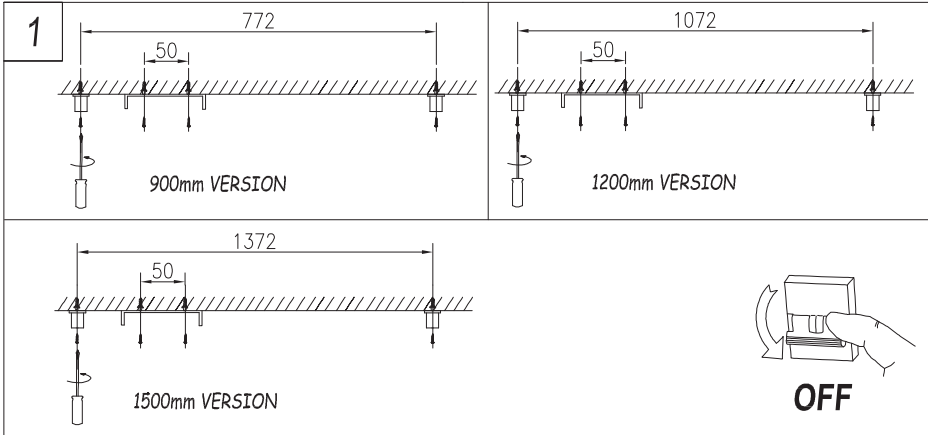
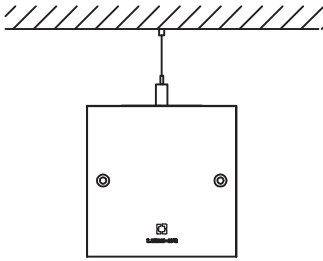




# INFINITE STANDARD TRIMLESS



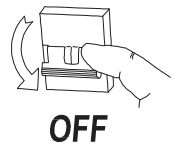
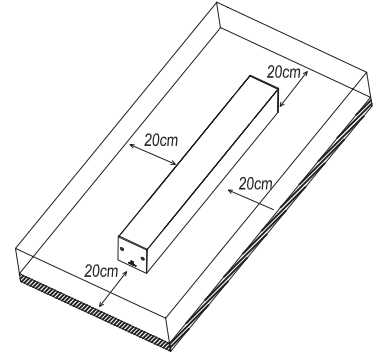
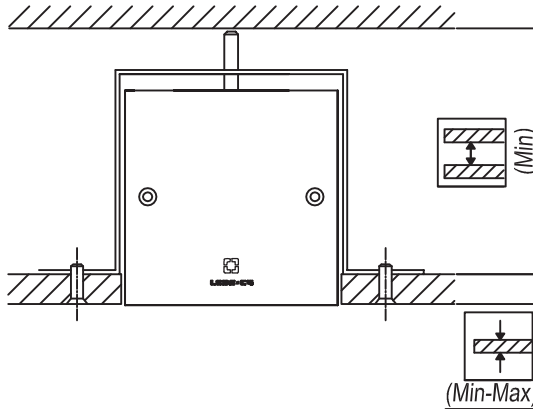
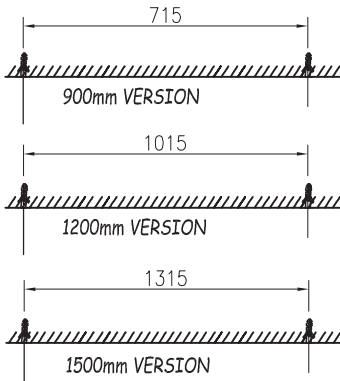
**SUSPENDIDA / SUSPENDED**



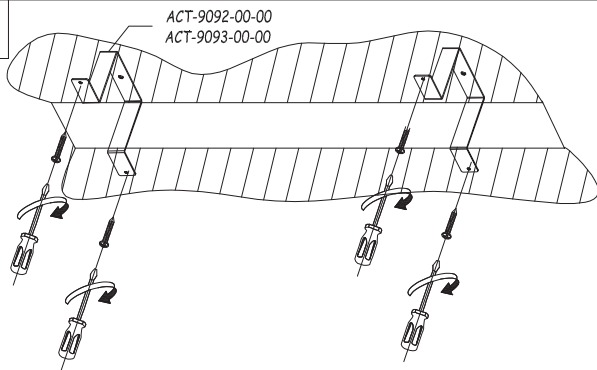
1

REF.			(Min-Max)	(Min)
1 TL5 900mm	902x80	TRIMLESS KIT 1LAMP	10-35mm	120mm
1 TL5 1200mm	1202x80			
1 TL5 1500mm	1502x80			
2 TL5 900mm	902x106	TRIMLESS KIT 2LAMP	5-35mm	140mm
2 TL5 1200mm	1202x106			
2 TL5 1500mm	1502x106			

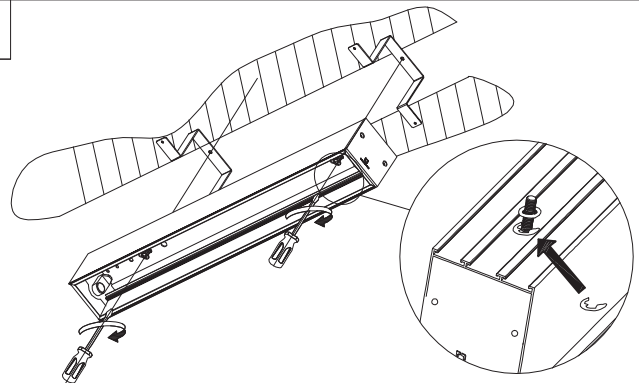
## EMPOTRADA TRIMLESS / TRIMLESS RECESSED



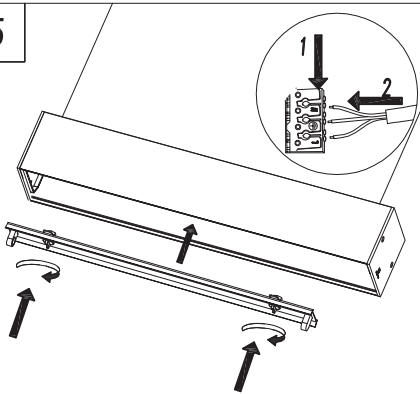
3



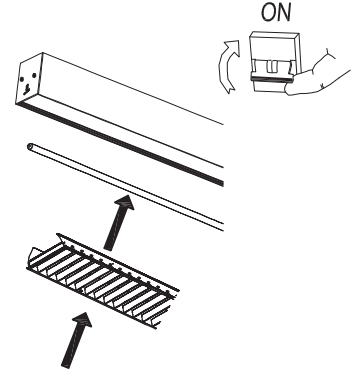
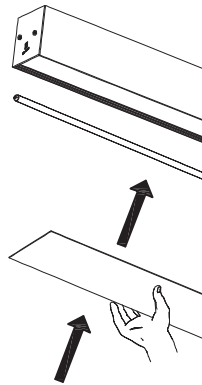
4



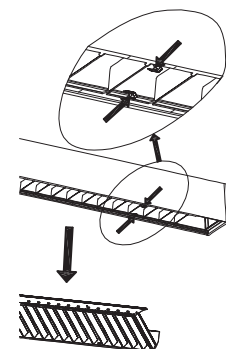
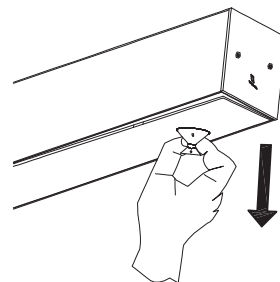
5



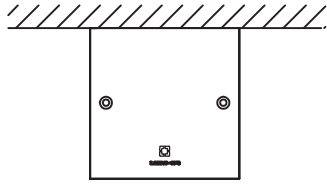
6



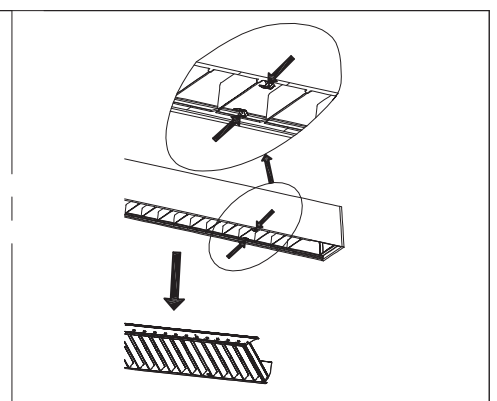
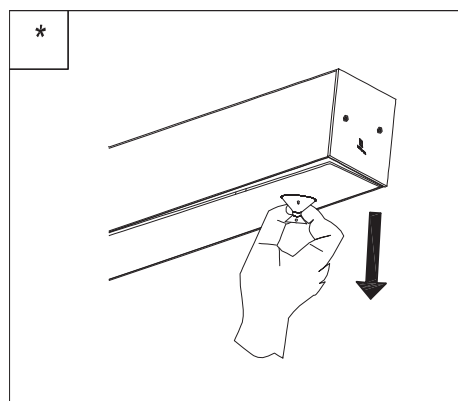
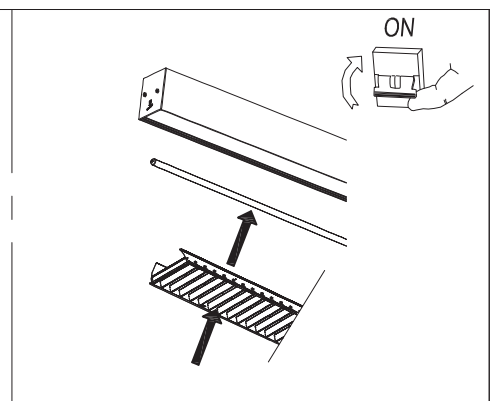
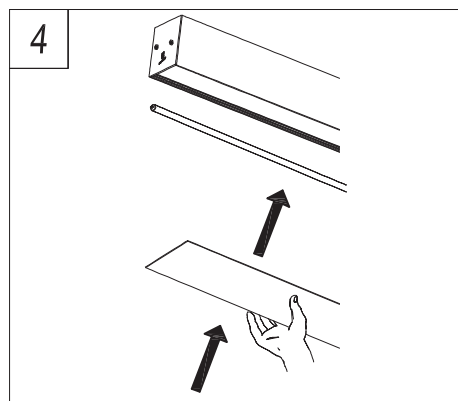
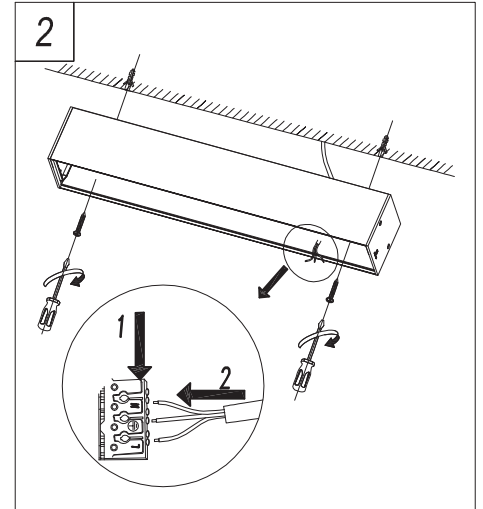
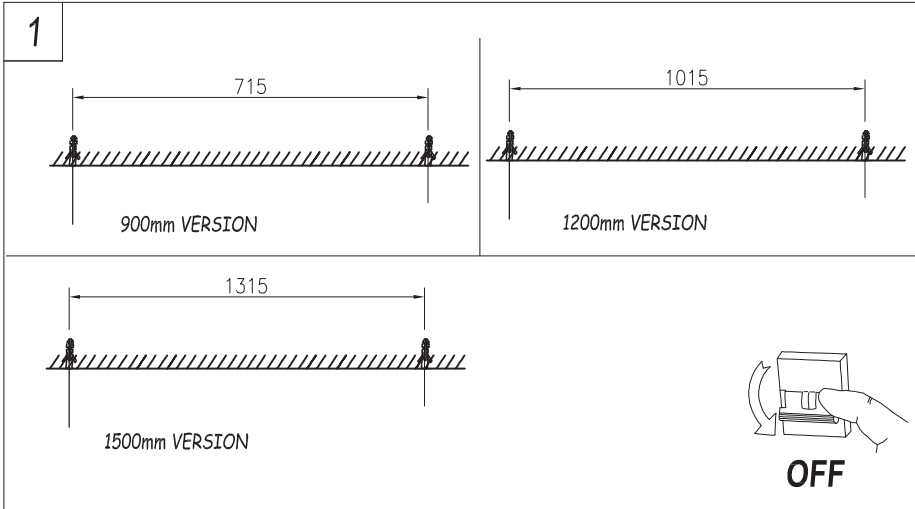
\*



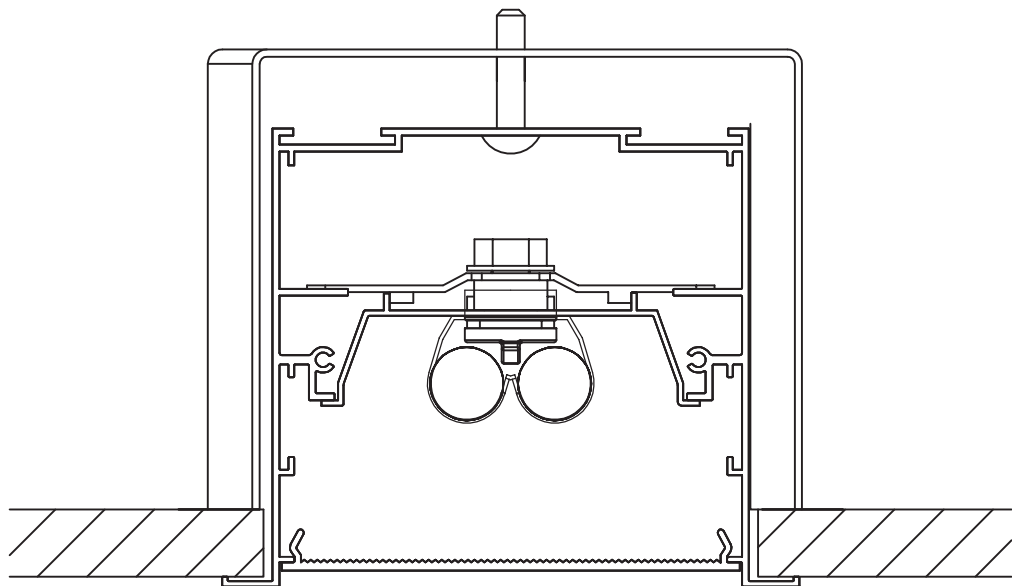
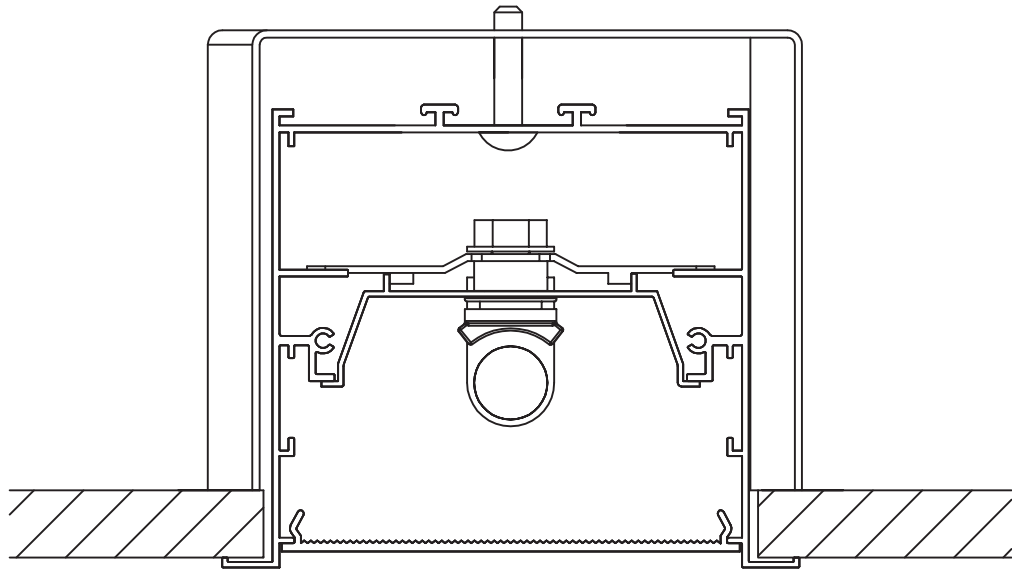


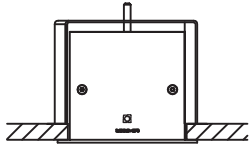


**ADOSADA / SURFACE MOUNTED**



# INFINITE STANDARD TRIM

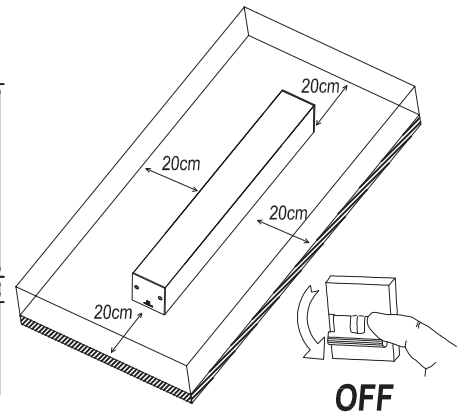
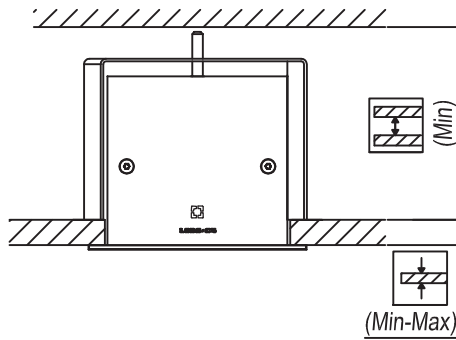




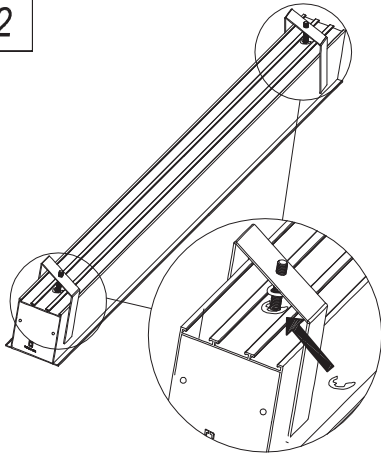
## EMPOTRADA TRIM / TRIM RECESSED

1

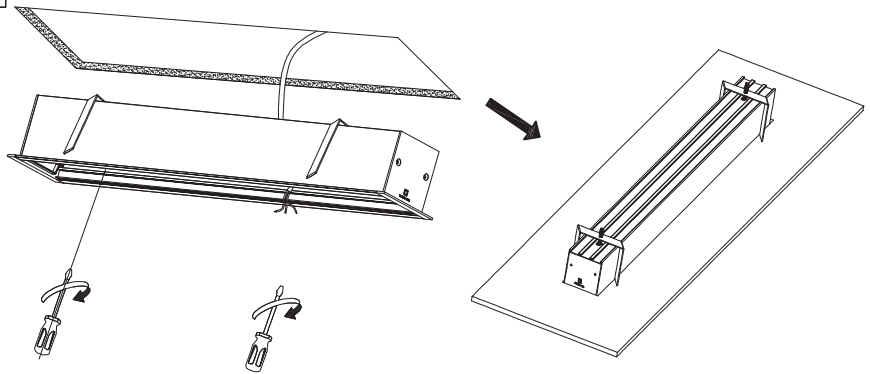
REF.	⏏ (mm)	⏏ (Min-Max)	⏏ (Min)
1 LAMP 900mm	905x85		
1 LAMP 1200mm	1205x85	5-30mm	110mm
1 LAMP 1500mm	1505x85		
2 LAMP 900mm	905x112		
2 LAMP 1200mm	1205x112	5-35mm	130mm
2 LAMP 1500mm	1505x112		



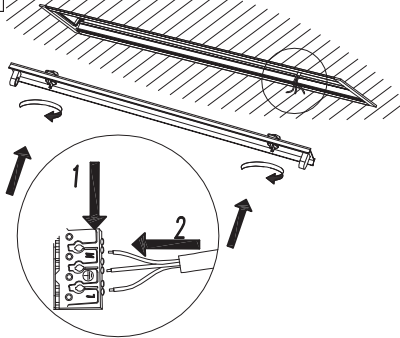
2



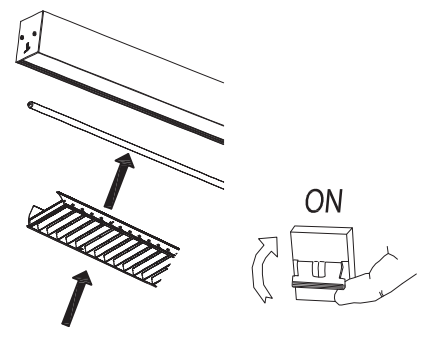
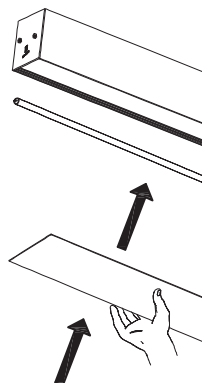
3



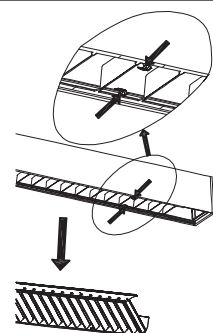
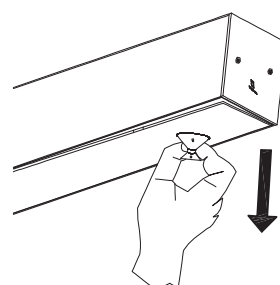
4



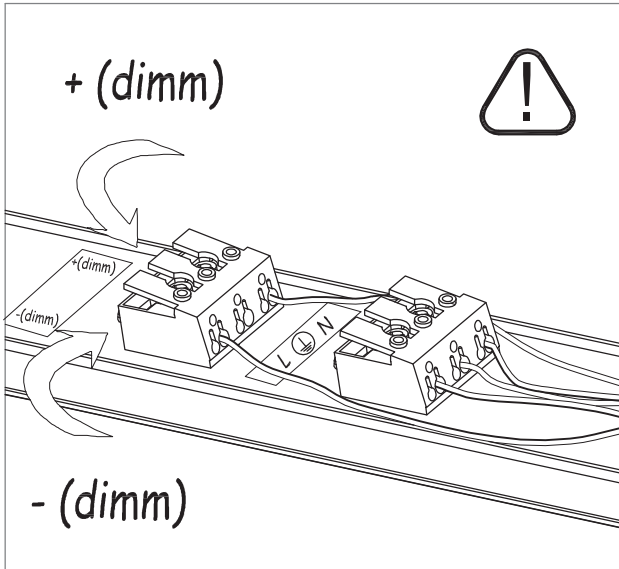
5



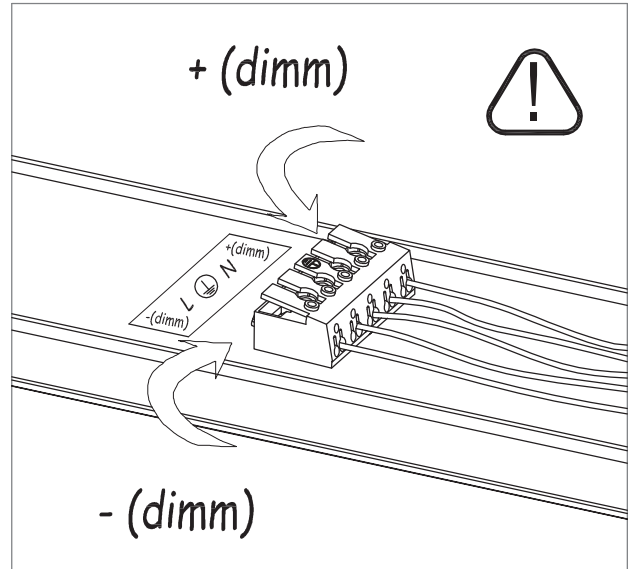
\*



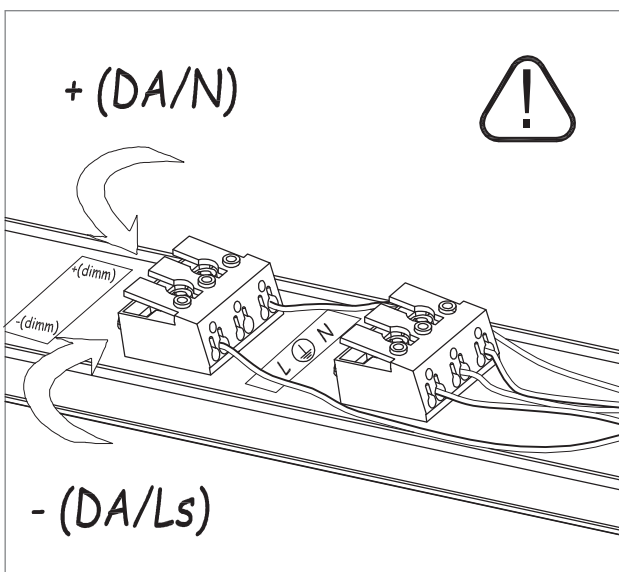
### 1-10V 1TL5



### 1-10V 2TL5



### TOUCH & DALI 1TL5



### TOUCH & DALI 2TL5

