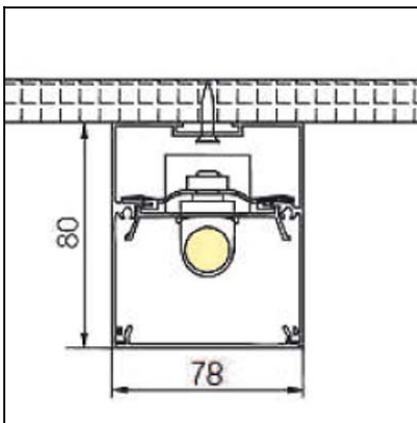




The photograph may not match the reference exactly. Please read the product description to identify the finish.

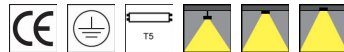


DESCRIPTION

Linear fluorescent luminaires for suspended lighting, surface mounted, trimless recessed or trimmed recessed installation. Available in versions for one or two 36W, 54W or 80W T5 H.O. lamps. Housing produced in extruded aluminium, cover made of injected aluminium, polycarbonate or double parabolic diffusers and reflector made of high grade aluminium. Finish in grey and white. All lights are supplied with covers and electrical ballast. A wide selection of optional accessories are available for connecting several units.

TECHNICAL CHARACTERISTICS

Type:	Ceiling fixture
IP Protection degrees:	IP20
Lampholder:	1 x G5
Power (W):	G5 39
Total power consumption (W):	35
Voltage / Frequency:	230V/50-60Hz
Warranty (Years):	2
Units per box:	1
Net Weight (Kg):	2.355
EAN:	0,00



MATERIALS / FINISHES

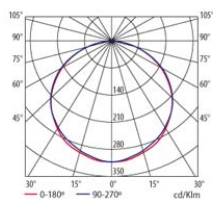
Structure material: Extruded aluminium

Diffuser material: Polycarbonate

Structure finish: Grey

Diffuser finish: Opal

TL5 G5 1x39W polycarbonate



H (m)	Emed (lux)	D (m)
1	64	3.36
2	16	6.71
3	7	10.07
4	4	13.42
5	3	16.78

$\eta = 30,76\%$

GEAR

Gear included: Yes, electronic

Download photometric file .ldt / .ies

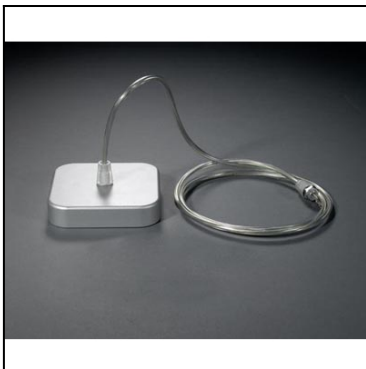
ACT-9091-N3-00



Steel cord

Structure material: Steel

ACT-9090-N3-00

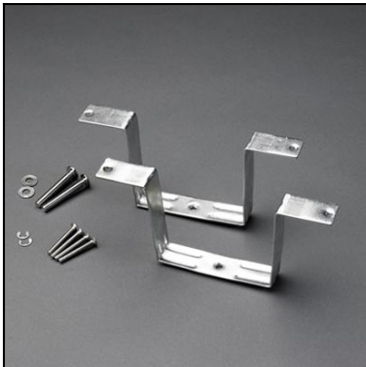


Power supply unit

Structure material: Injected aluminium

Structure finish: Grey

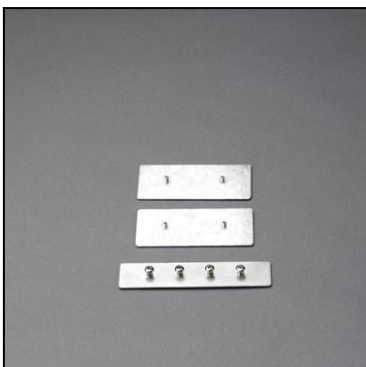
ACT-9092-00-00



Trimless recessed kit

Structure material: Galvanized steel

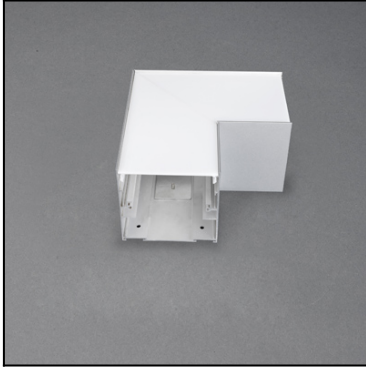
ACT-9114-00-00



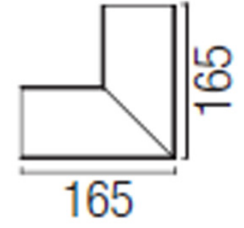
Profile union kit

Structure material: Galvanized steel

ACT-9150-N3-M1

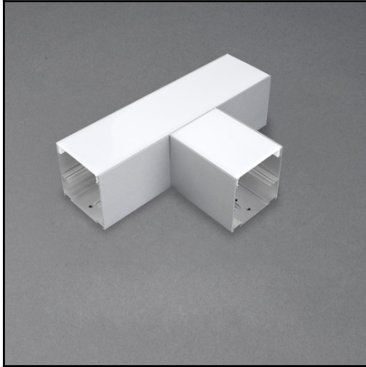


L-shape connector kit + PC cover

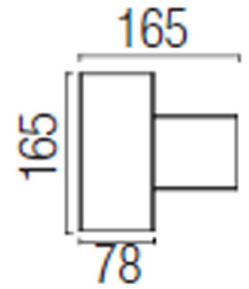


IP20

ACT-9154-N3-M1



T-shape connector kit + PC cover

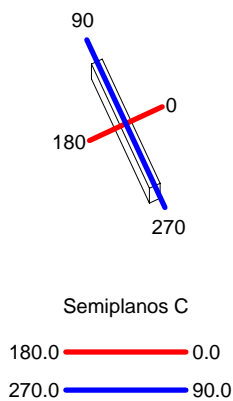


IP20

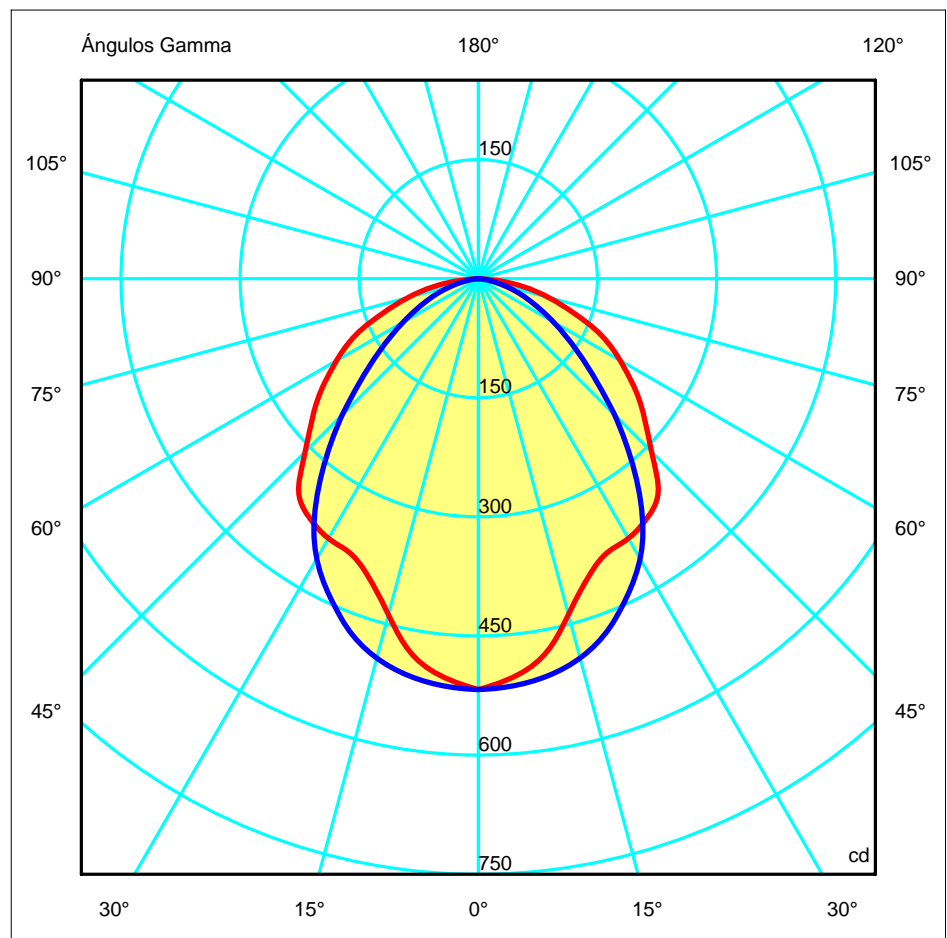
Luminaria		Ensayo		Lámpara		
Código	AD-0659-N3-00	Código	AD-0659-N3-00	Código	FQ 39 W/840 HO	
Nombre	Lum INFINITIVE 1x39W T5 dif.PC	NombreLum.	INFINITIVE 1x39W T5 dif. PC	Número	1	
Familia	- LEDS-C4	Fecha	25-06-2012	Posición	Universal	
Rendimiento	39.18%	Sist. de Coorden.	C-G	Flujo Total	3100.00 lm	
Valor Máximo	517.32 cd	Posición	C=0.00 G=0.00	Bisimétrico		
Luminaria Rectangular	Longit.	900 mm	Anchura	78 mm	Altura	80 mm
Área Luminosa Rectangular	Longit.	890 mm	Anchura	66 mm	Altura	0 mm
Área Luminosa Horizontal	0.058740 m2	Área Emisión sobre Pl. 180°		0.000000 m2		
Área Emisión sobre Pl. 0°	0.000000 m2	Área Emisión sobre Pl. 270°		0.000000 m2		
Área Emisión sobre Pl. 90°	0.000000 m2	Área de deslumbramiento a 76°		0.014210 m2		
Tipo de Simetría	Bisimétrico	Máximo Ángulo Gamma		90		
Distancia de Ensayo	6.44	Flujo de Ensayo		3100.00 lm		
Operador	Asselum T5	Tensión de alimentación		230.00 V		
Temperatura	25.00 °C	Corriente de alimentación		PRC		
Humedad	47.00 %	Fotocélula				
Notas						

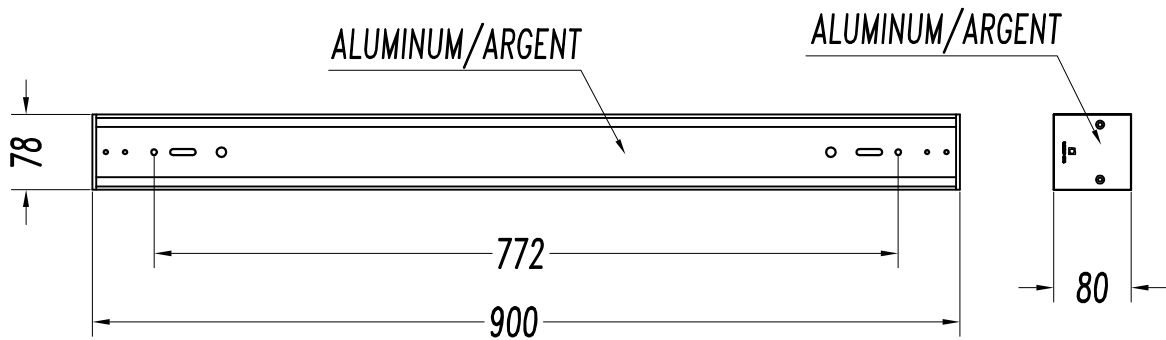
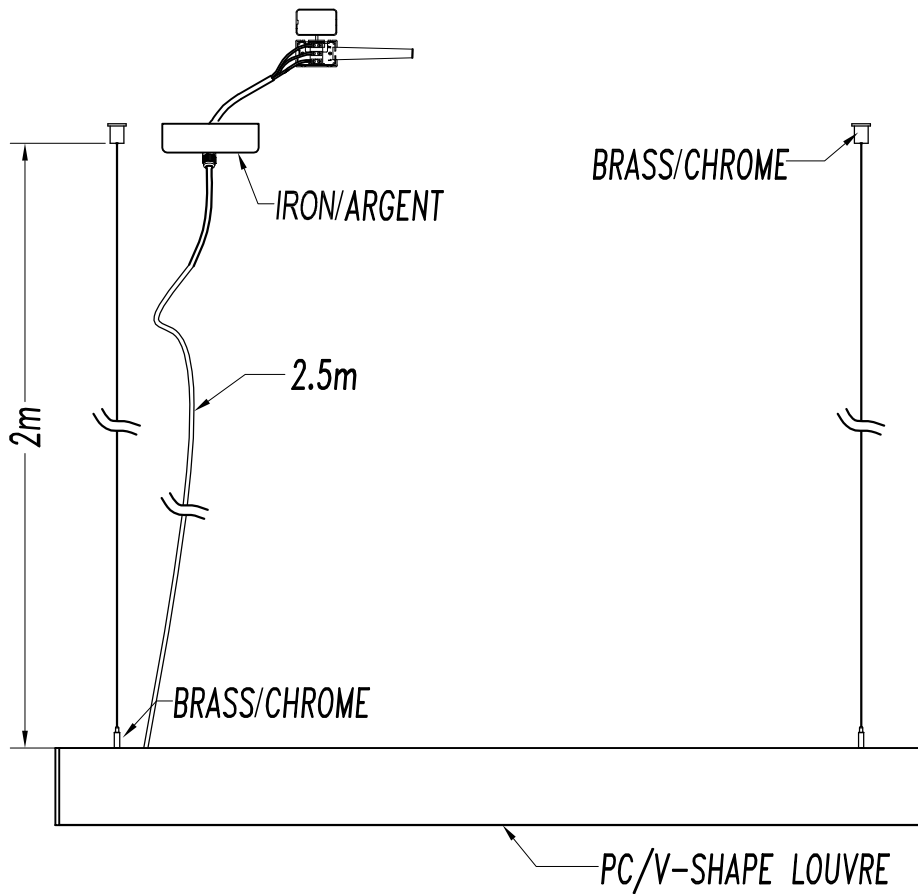
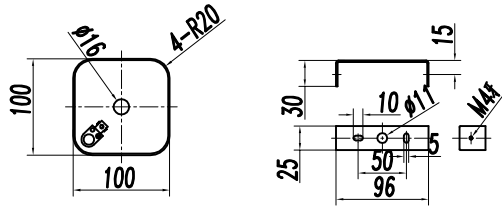
Lámparas de la Luminaria					
Familia	Código	Nombre	Flujo/lm	Pot.W	Cant.
OSRAM 2006 FD,FC	FQ 39 W/840 HO	LUMILUX® FQ 39W/840 G5	3100.00	39.00	1
C.I.E.	50 81 96 100 39	D DIN 5040	A30		
F UTE	0.39 E	B NBN	BZ 4		

900mm x 78mm

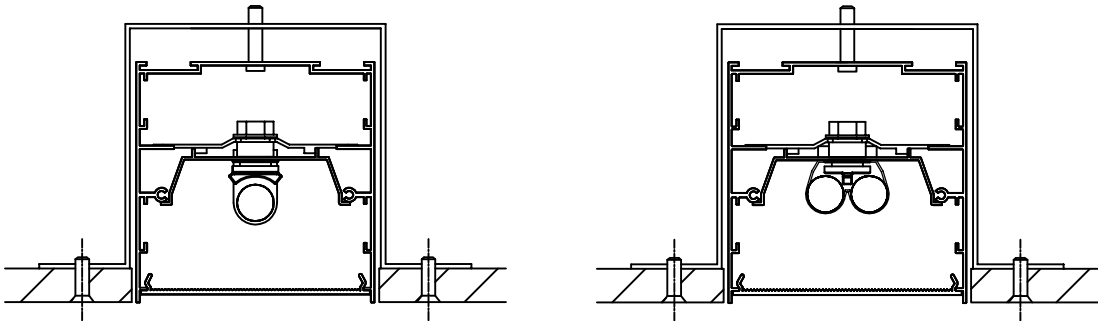
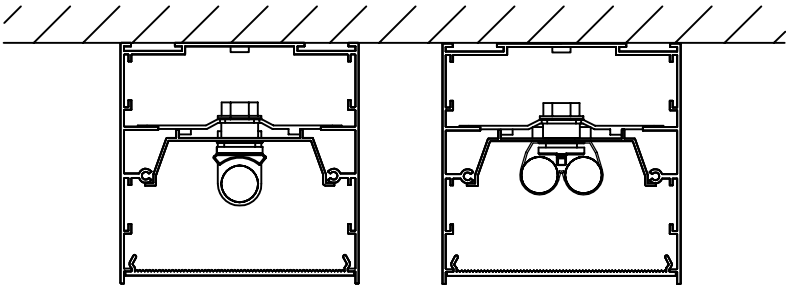
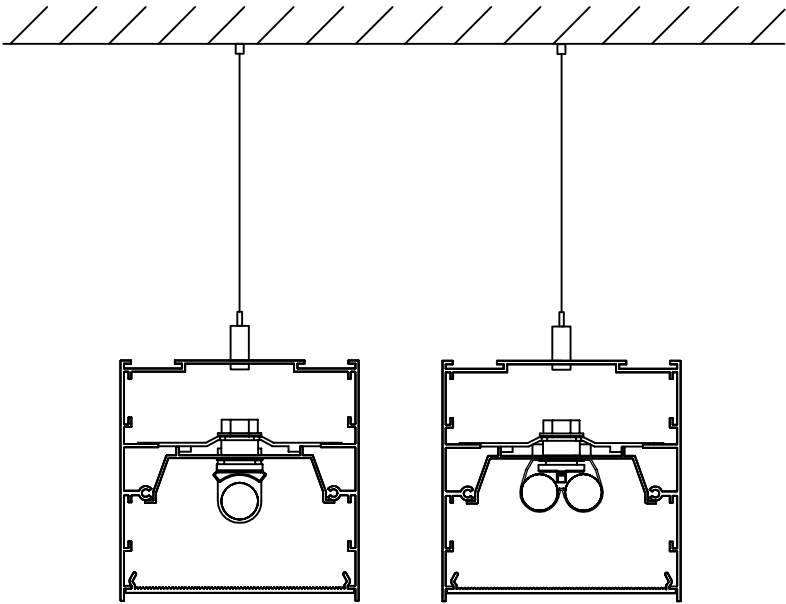


ULOR 0.00 %
DLOR 39.18 %
RN 0.00 %

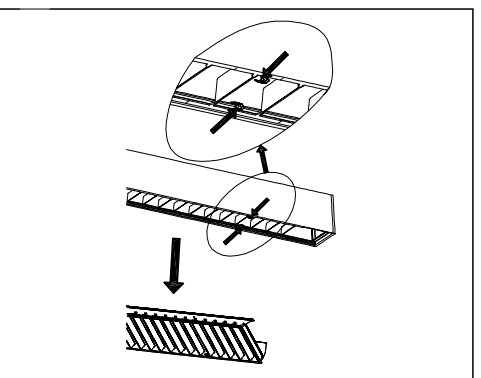
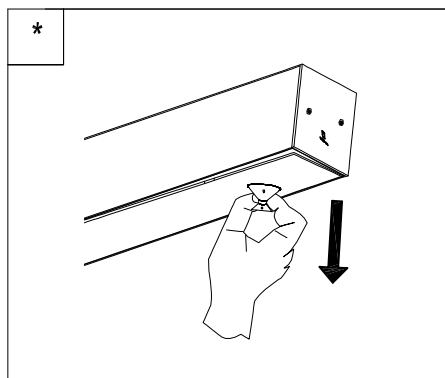
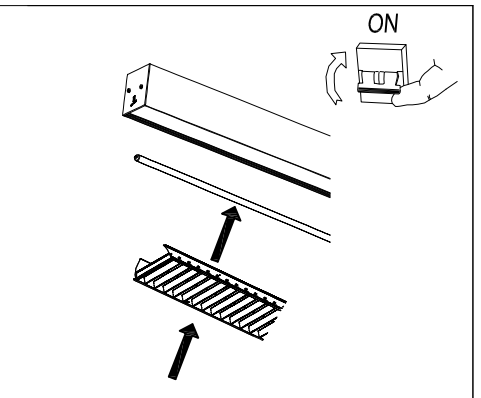
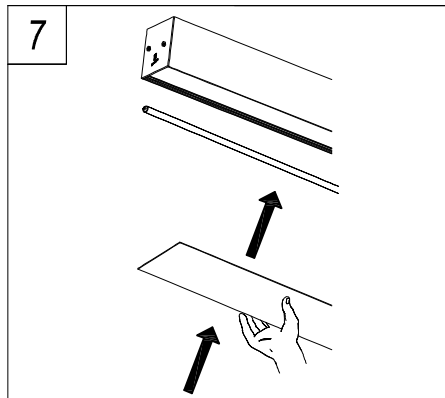
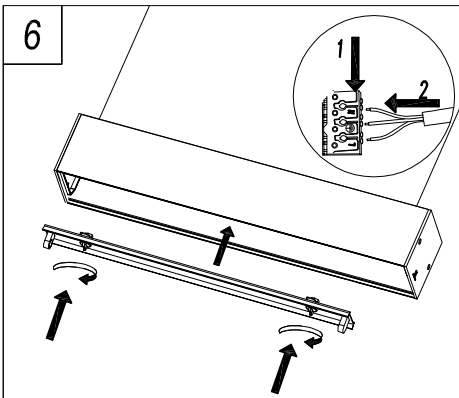
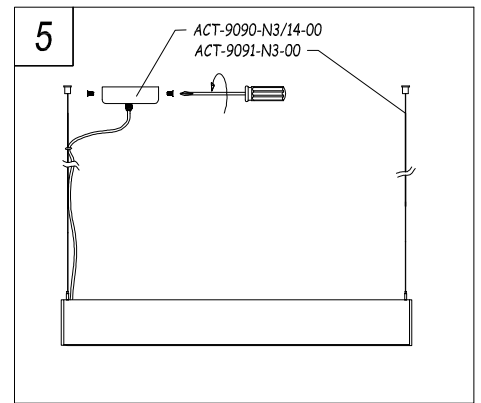
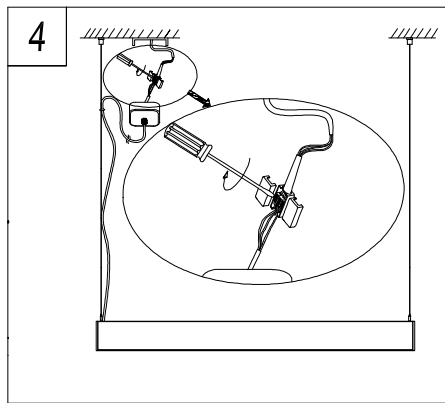
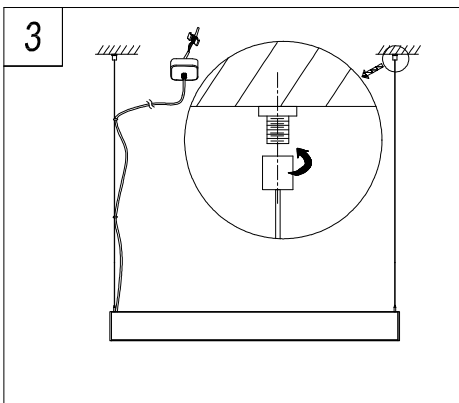
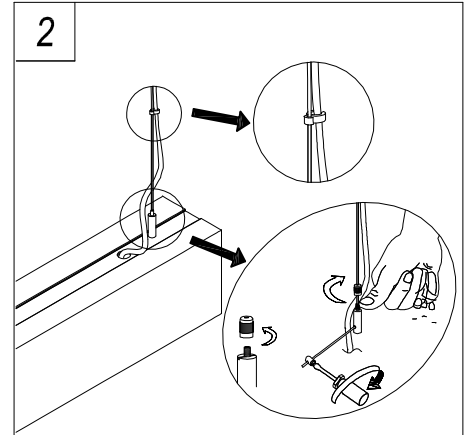
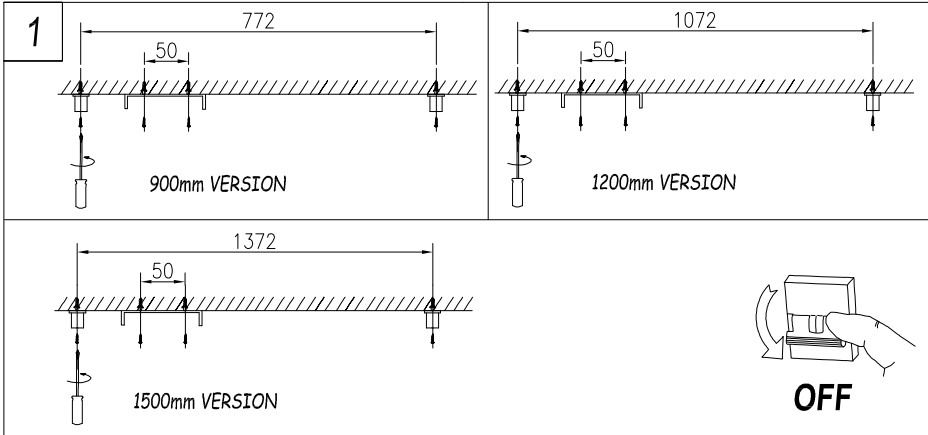
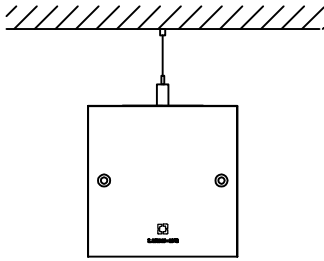




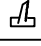


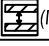
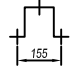

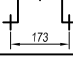

INFINITE STANDARD TRIMLESS



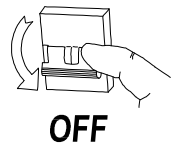
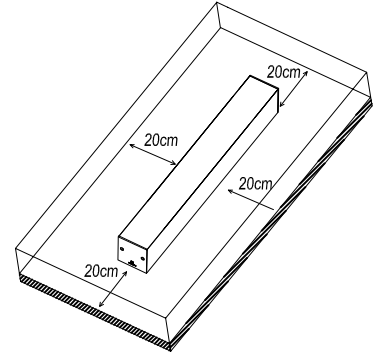
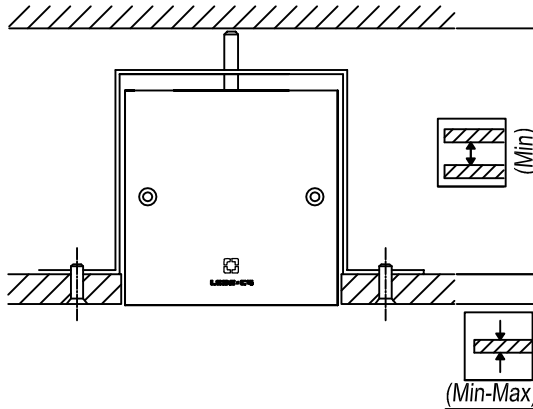
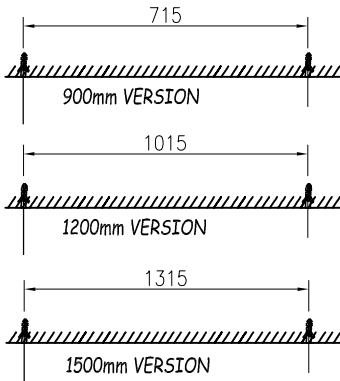
SUSPENDIDA / SUSPENDED



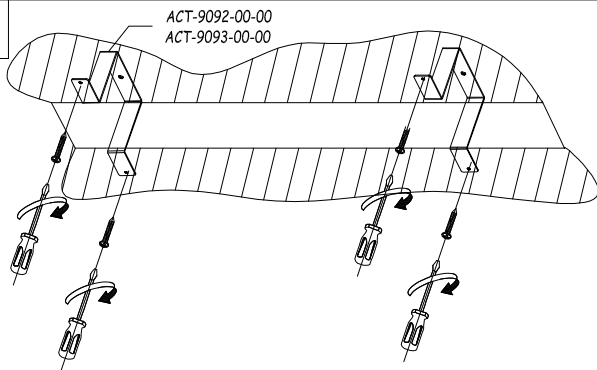
1

REF.			 (Min-Max)	 (Min)
1 TL5 900mm	902x80	TRIMLESS KIT 1LAMP	10-35mm	120mm
1 TL5 1200mm	1202x80			
1 TL5 1500mm	1502x80			
2 TL5 900mm	902x106	TRIMLESS KIT 2LAMP	5-35mm	140mm
2 TL5 1200mm	1202x106			
2 TL5 1500mm	1502x106			

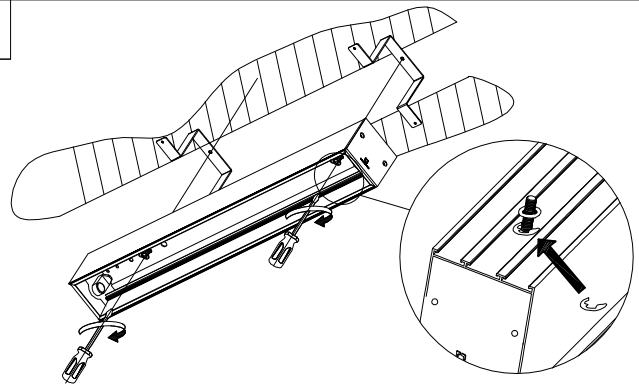
EMPOTRADA TRIMLESS / TRIMLESS RECESSED



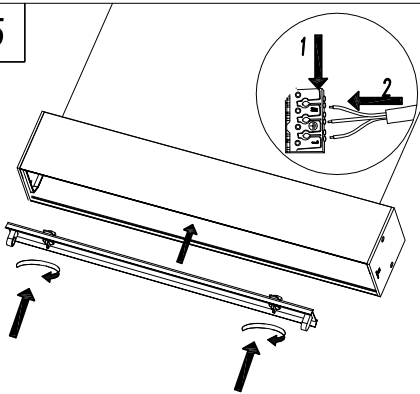
3



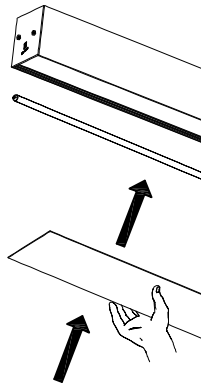
4



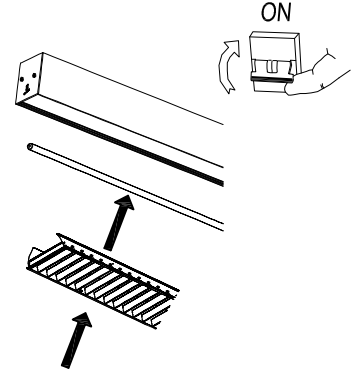
5



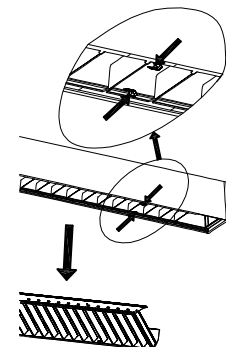
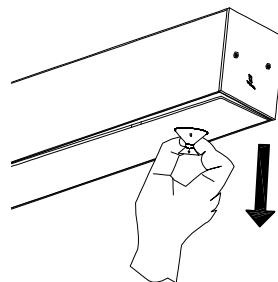
6

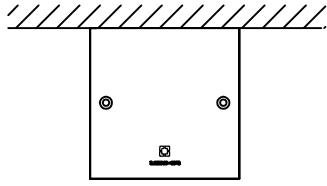


ON

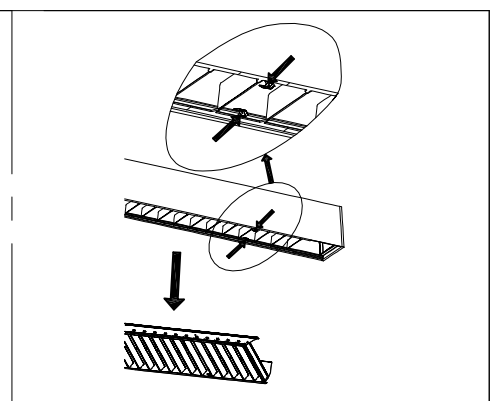
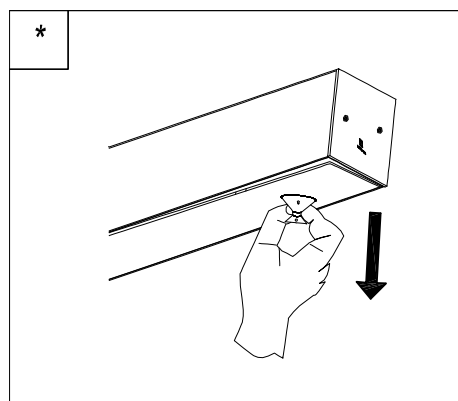
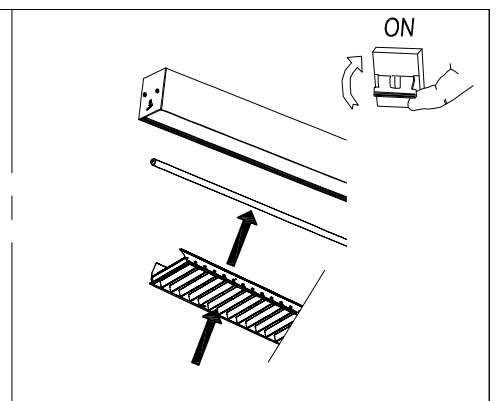
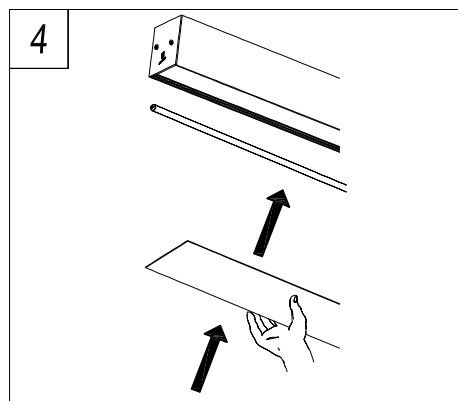
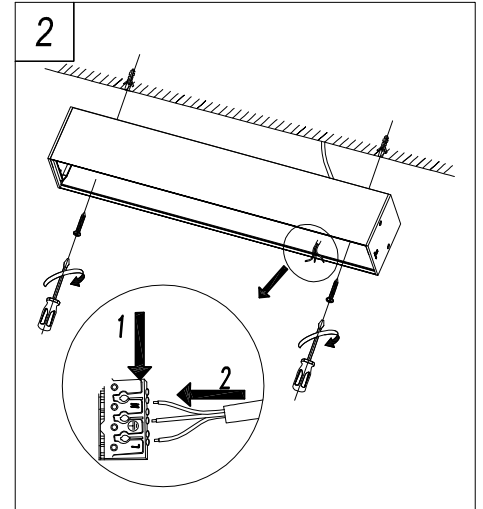
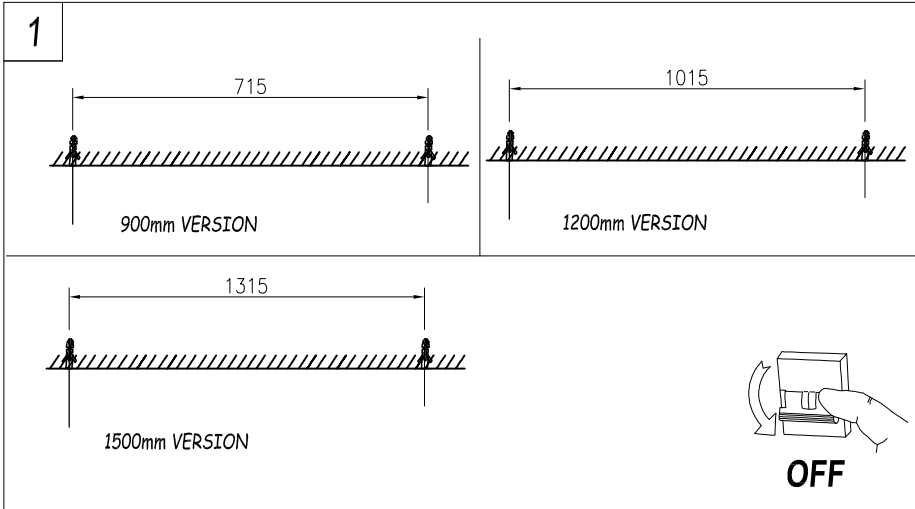


*

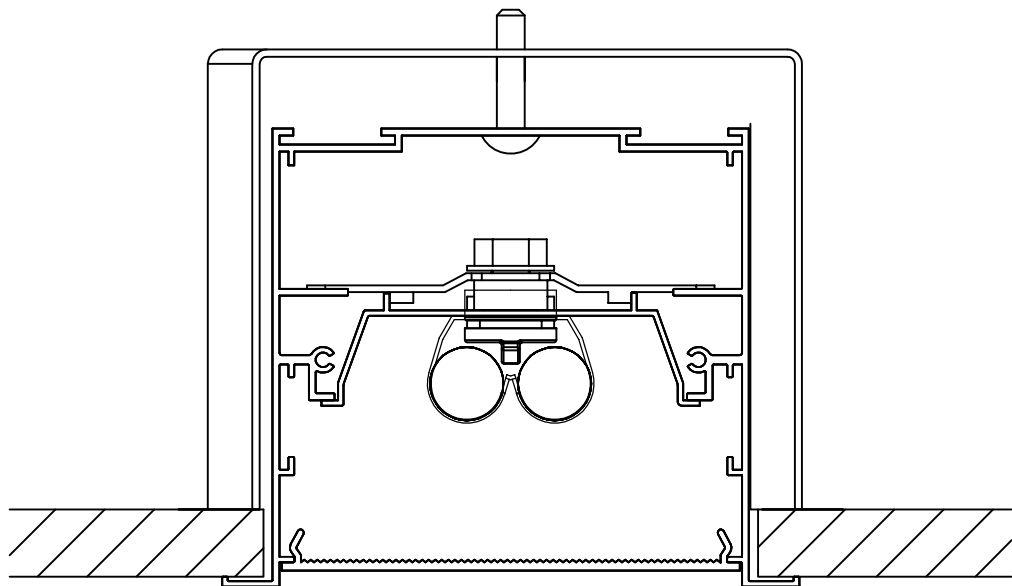
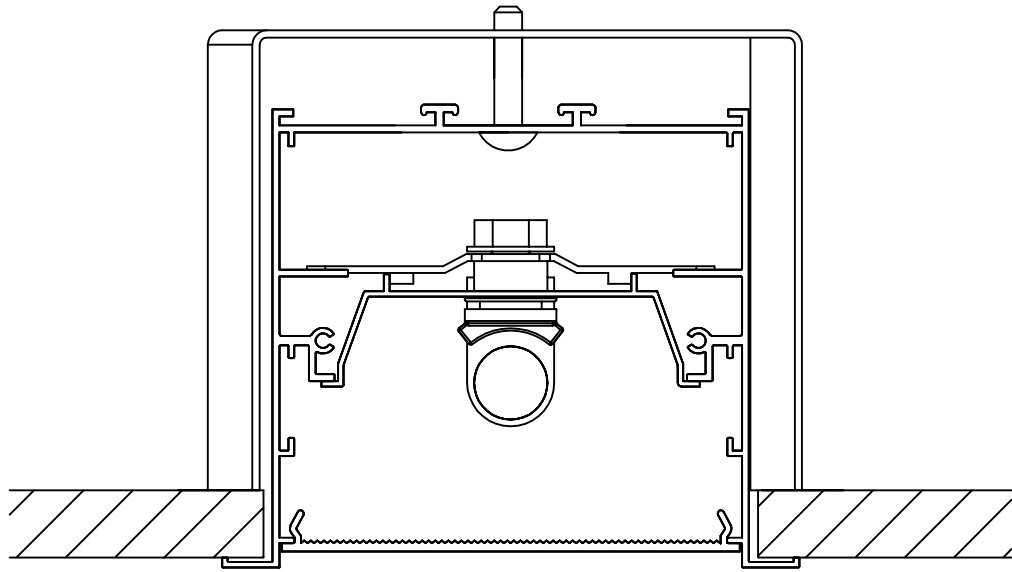


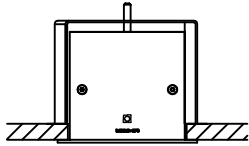


ADOSADA / SURFACE MOUNTED



INFINITE STANDARD TRIM

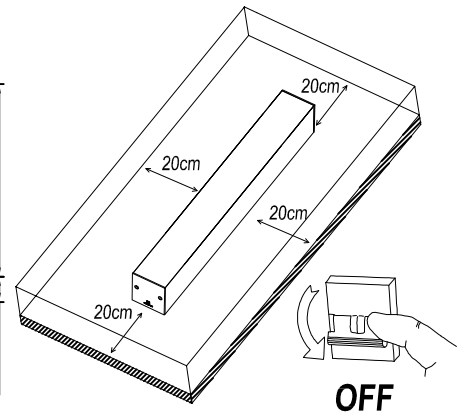
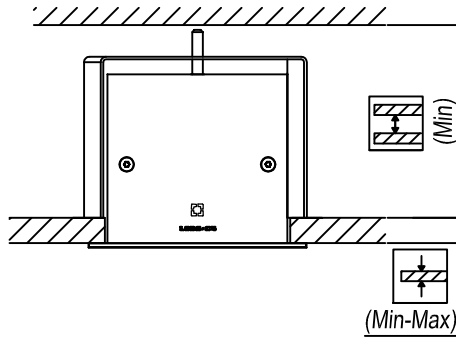




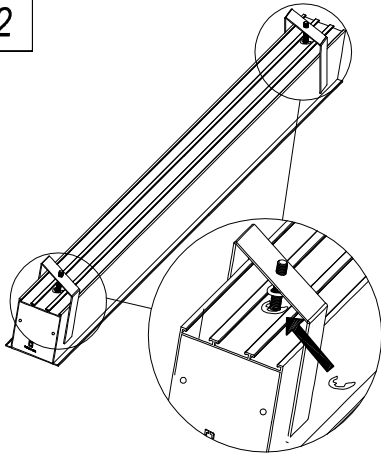
EMPOTRADA TRIM / TRIM RECESSED

1

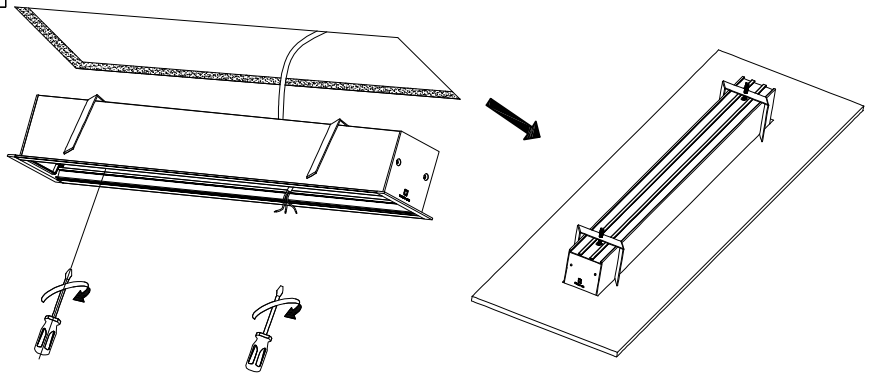
REF.	⏏ (mm)	⏏ (Min-Max)	⏏ (Min)
1 LAMP 900mm	905x85		
1 LAMP 1200mm	1205x85	5-30mm	110mm
1 LAMP 1500mm	1505x85		
2 LAMP 900mm	905x112		
2 LAMP 1200mm	1205x112	5-35mm	130mm
2 LAMP 1500mm	1505x112		



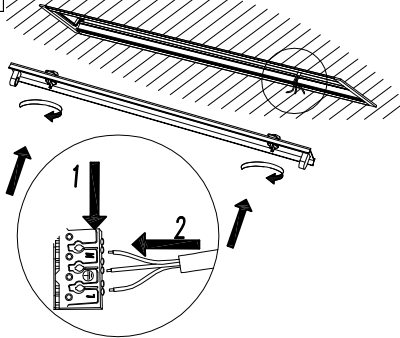
2



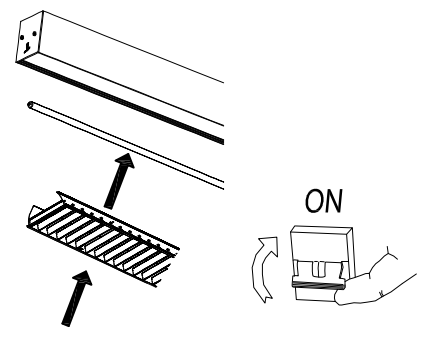
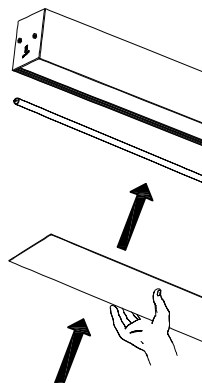
3



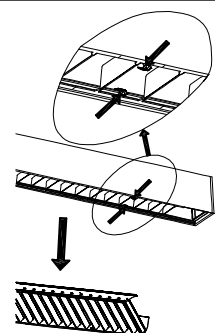
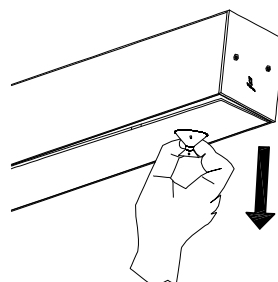
4



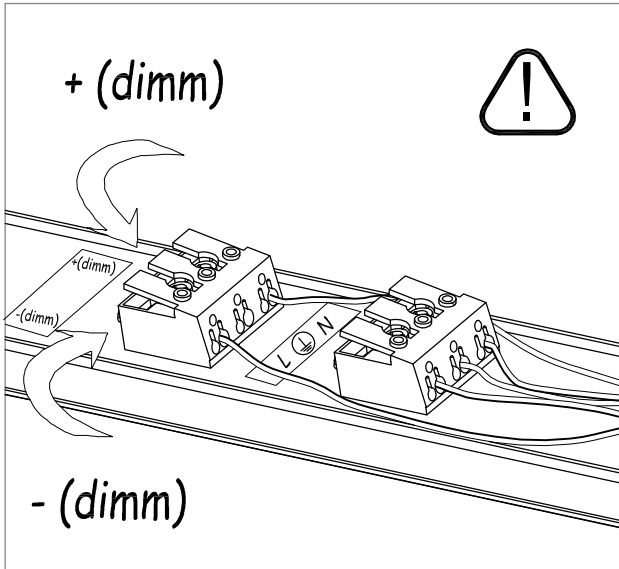
5



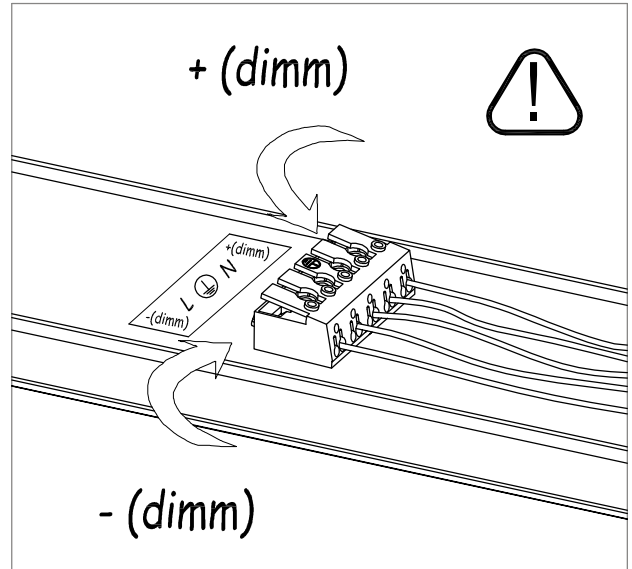
*



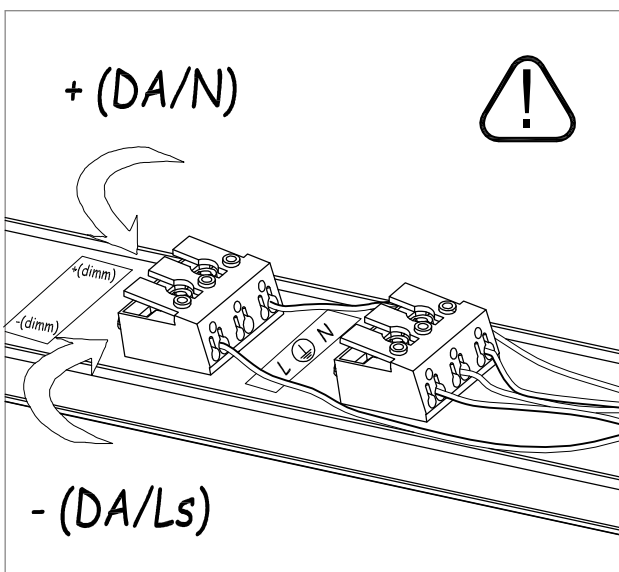
1-10V 1TL5



1-10V 2TL5



TOUCH & DALI 1TL5



TOUCH & DALI 2TL5

