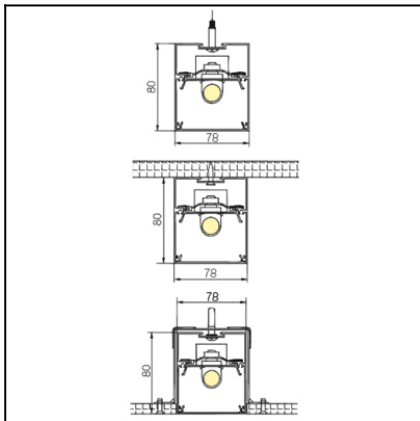




The photograph may not match the reference exactly. Please read the product description to identify the finish.

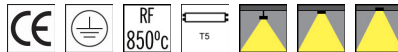


DESCRIPTION

Linear fluorescent luminaires for suspended lighting, surface mounted, trimless recessed or trimmed recessed installation. Available in versions for one or two 36W, 54W or 80W T5 H.O. lamps. Housing produced in extruded aluminium, cover made of injected aluminium, polycarbonate or double parabolic diffusers and reflector made of high grade aluminium. Finish in grey and white. All lights are supplied with covers and electrical ballast. A wide selection of optional accessories are available for connecting several units.

TECHNICAL CHARACTERISTICS

| | |
|------------------------------|-----------------|
| Type: | Ceiling fixture |
| IP Protection degrees: | IP20 |
| Lampholder: | 1 x G5 |
| Power (W): | G5 54 |
| Total power consumption (W): | 58 |
| Voltage / Frequency: | 230V/50-60Hz |
| Warranty (Years): | 2 |
| Units per box: | 1 |
| Net Weight (Kg): | 2.886 |
| EAN: | 0,00 |



MATERIALS / FINISHES

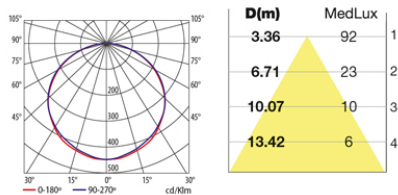
Structure material: Extruded aluminium

Diffuser material: Polycarbonate

Structure finish: Grey

Diffuser finish: Opal

TL5 G5 1x54W polycarbonate



$\eta = 30,76\%$

GEAR

Gear included: Yes, electronic

Download photometric file .ldt / .ies

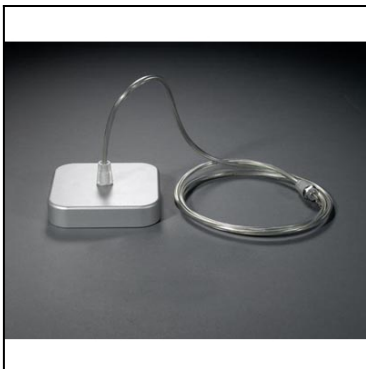
ACT-9091-N3-00



Steel cord

Structure material: Steel

ACT-9090-14-00

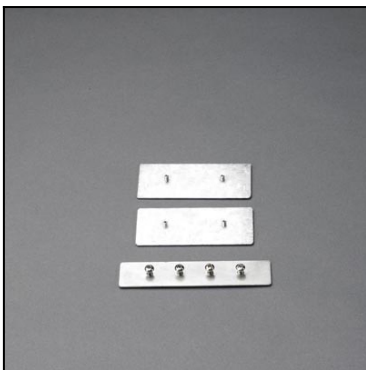


Power supply unit

Structure material: Injected aluminium

Structure finish: White

ACT-9114-00-00



Profile union kit

Structure material: Galvanized steel

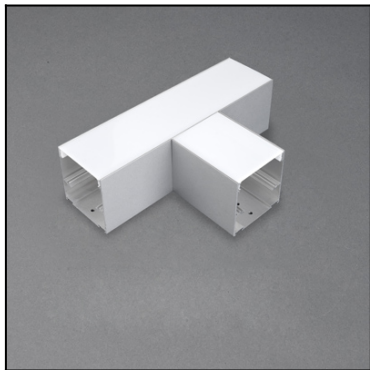
ACT-9150-14-M1



L-shape connector kit + PC cover

IP20

ACT-9154-14-M1



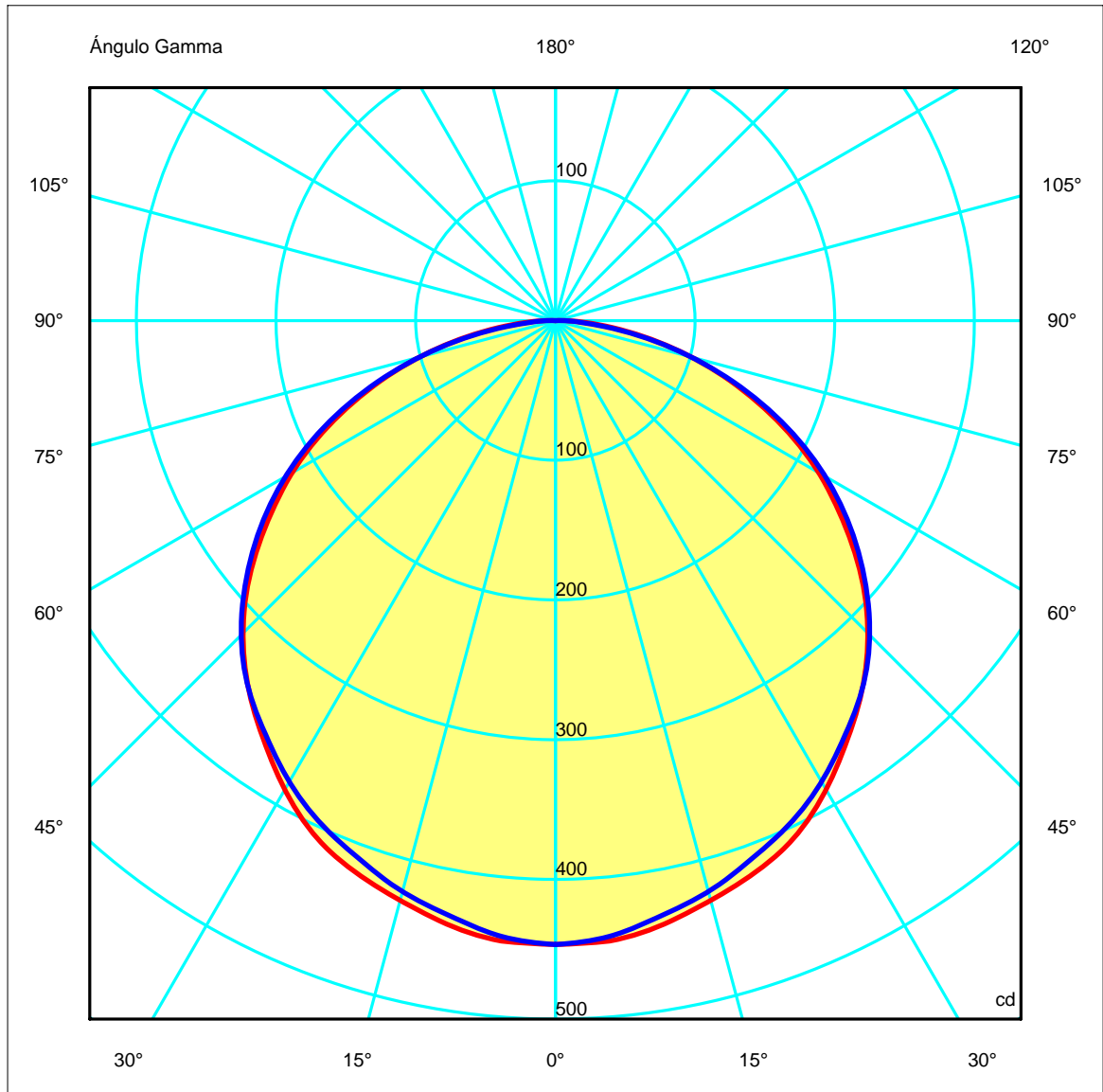
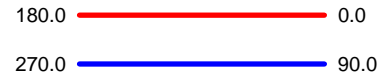
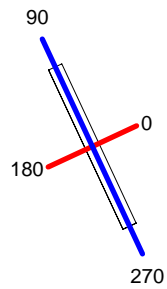
T-shape connector kit + PC cover

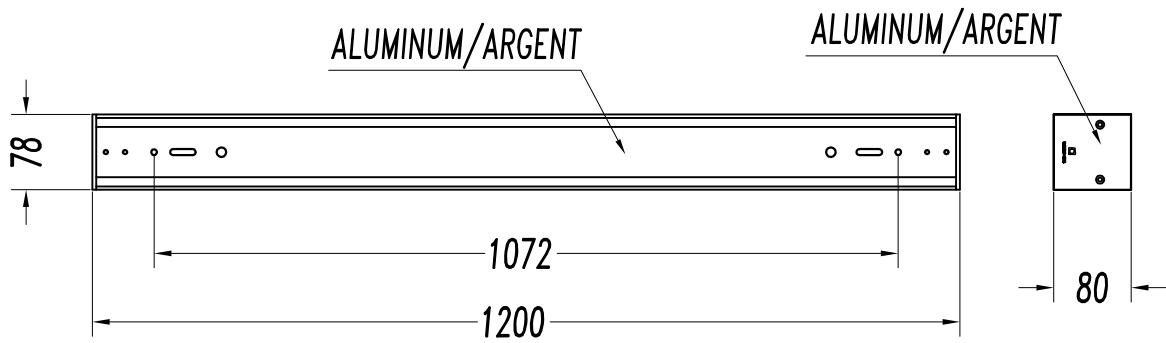
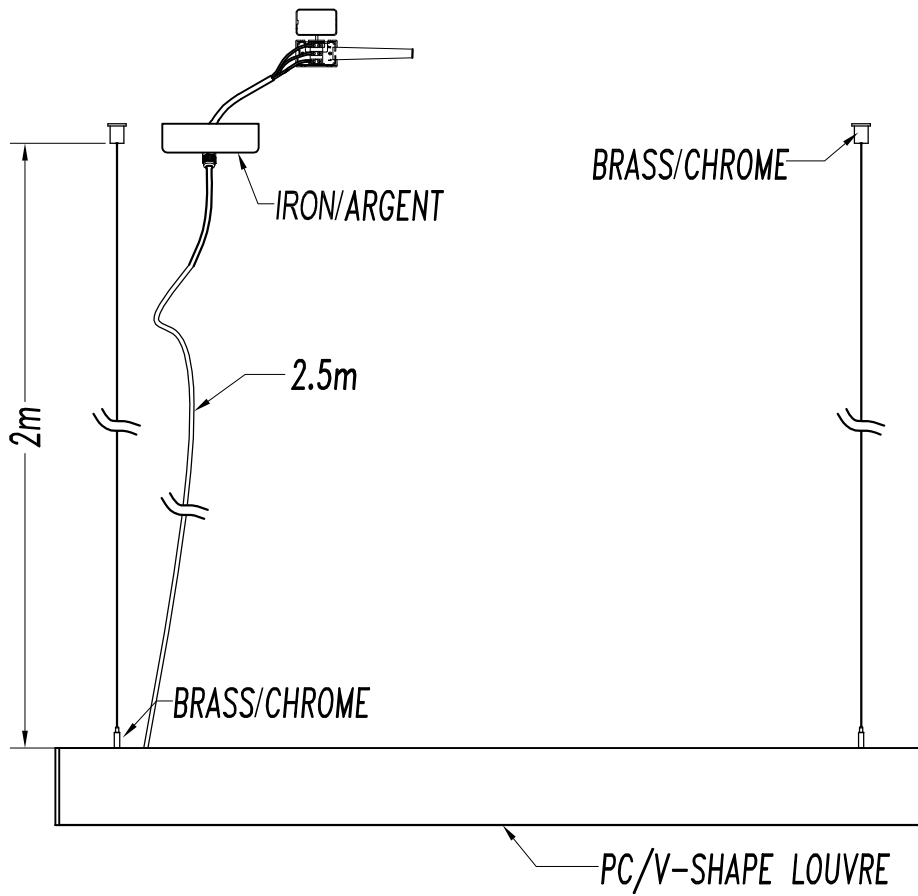
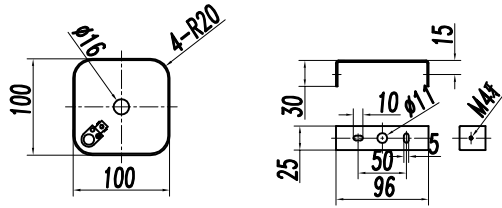
IP20

| | | | | | |
|------------------|-------------------------------|-------------------|------------------------|----------------|----------------|
| Luminaria | | Ensayo | | Lámpara | |
| Código | AD-0660-N3-00 | Código | AD-0659-N3-00 | Código | FQ 54 W/840 HO |
| Nombre | Lumin. 1x54W T5 policarbonato | NombreLum. | 1x39W T5 policarbonato | Número | 1 |
| Familia | - LEDS-C4 | Fecha | 02-12-2010 | Posición | Universal |
| Eficiencia | 30.76% | Sist. de Coorden. | C-G | Flujo Total | 4450.00 lm |
| Valor Máximo | 446.51 cd | Posición | C=0.00 G=0.00 | Bisimétrico | |

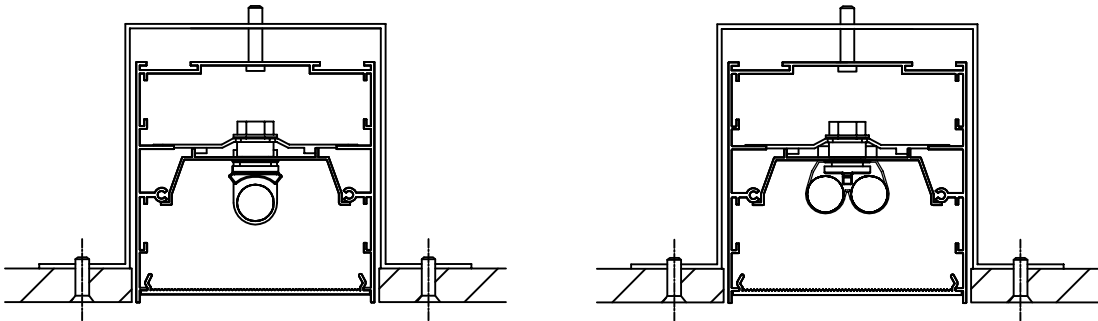
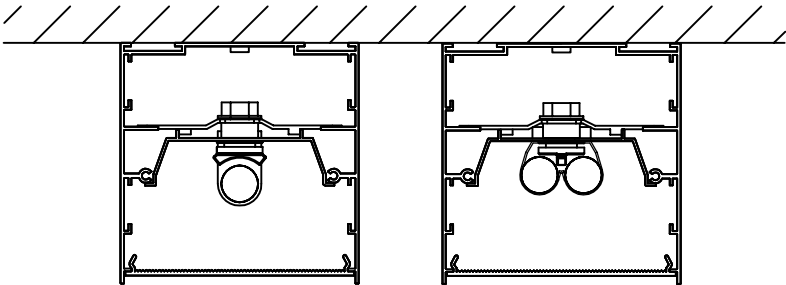
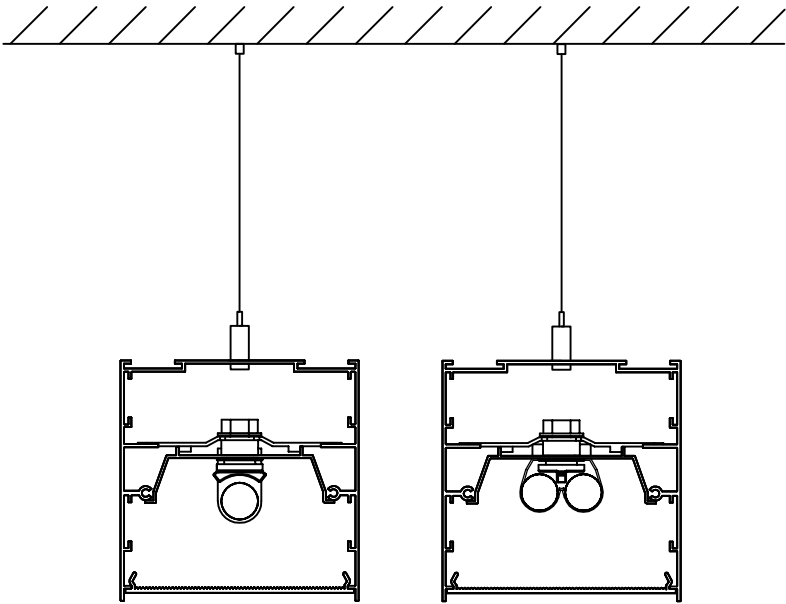
1215mm x 100mm

Semiplanos C

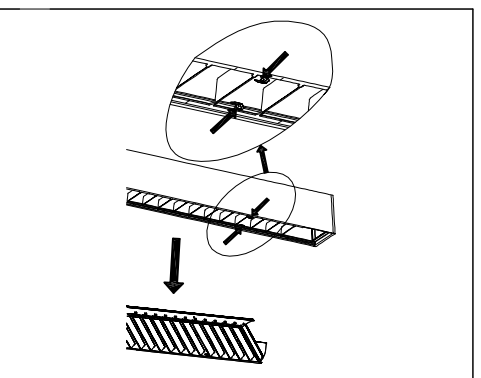
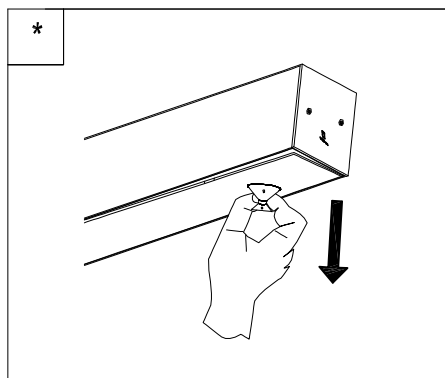
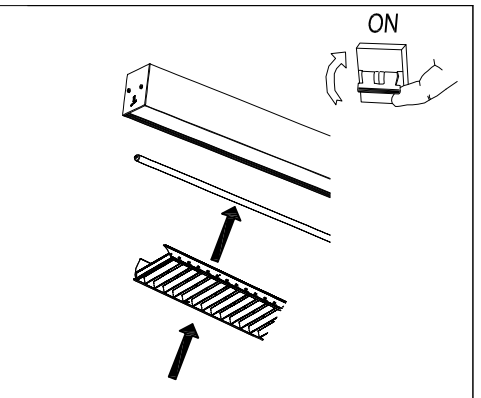
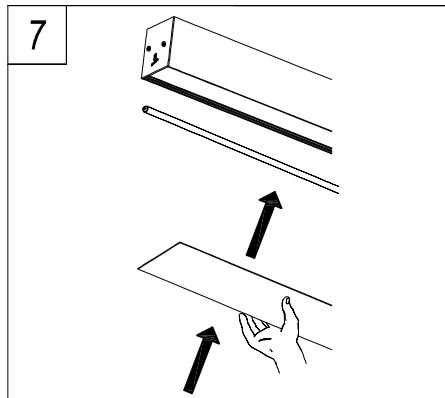
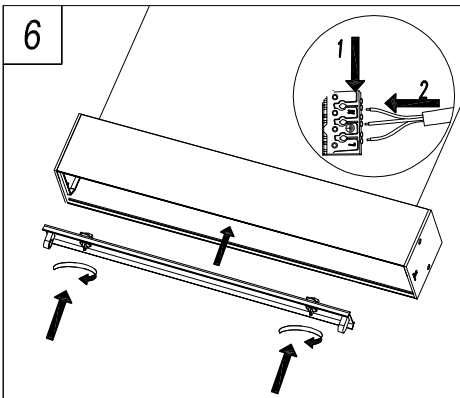
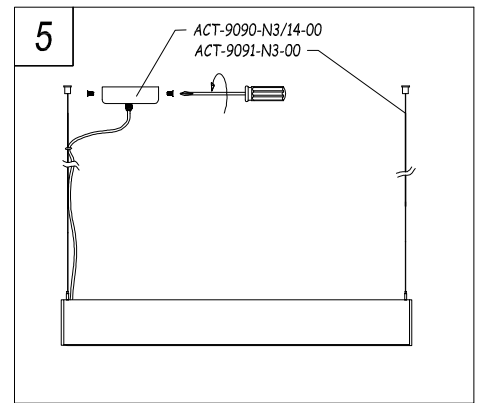
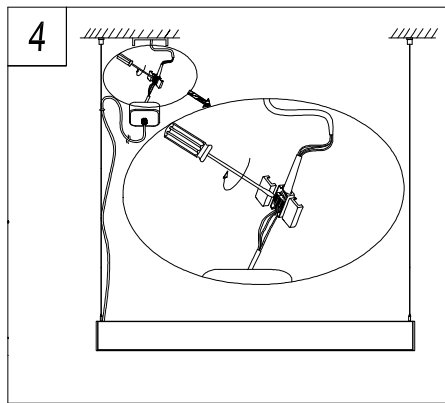
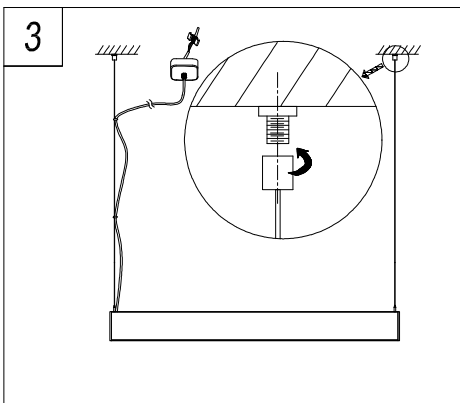
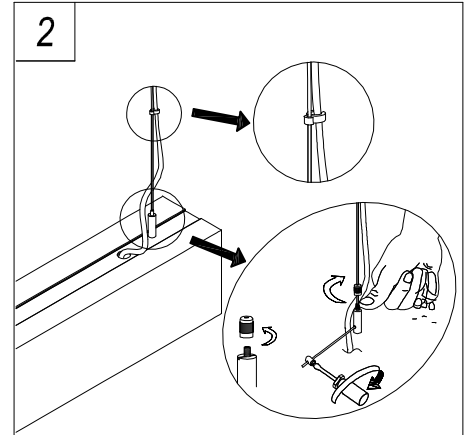
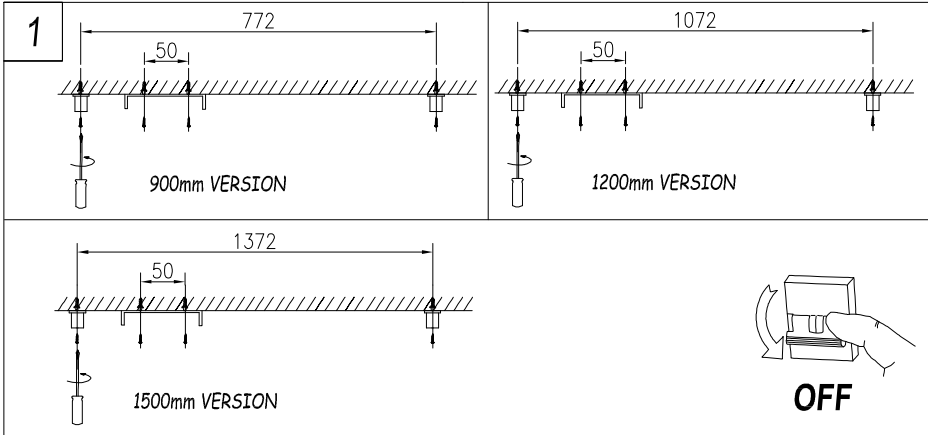
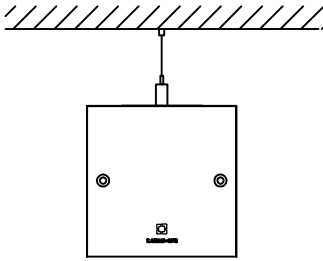




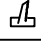


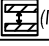
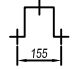



INFINITE STANDARD TRIMLESS



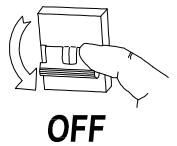
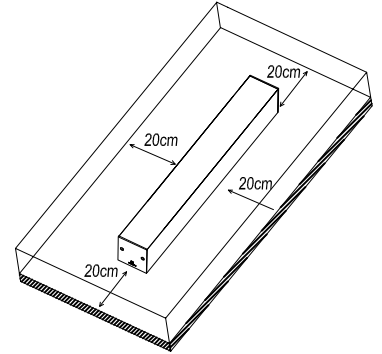
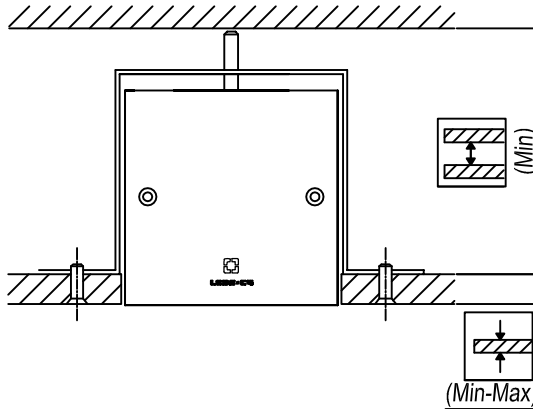
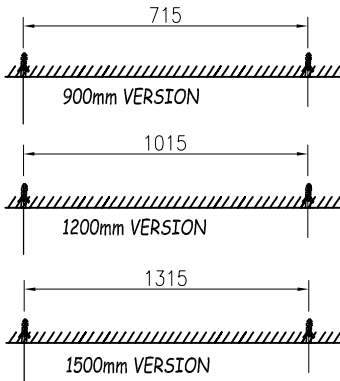
SUSPENDIDA / SUSPENDED



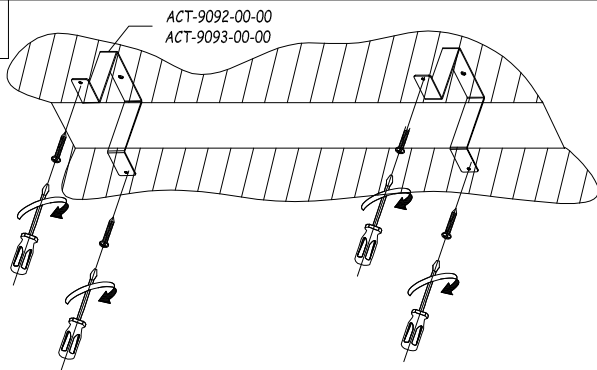
1

| REF. |  |  |  (Min-Max) |  (Min) |
|--------------|---|---|---|---|
| 1 TL5 900mm | 902x80 | TRIMLESS KIT 1LAMP | 10-35mm | 120mm |
| 1 TL5 1200mm | 1202x80 |  | | |
| 1 TL5 1500mm | 1502x80 |  | | |
| 2 TL5 900mm | 902x106 | TRIMLESS KIT 2LAMP | 5-35mm | 140mm |
| 2 TL5 1200mm | 1202x106 |  | | |
| 2 TL5 1500mm | 1502x106 |  | | |

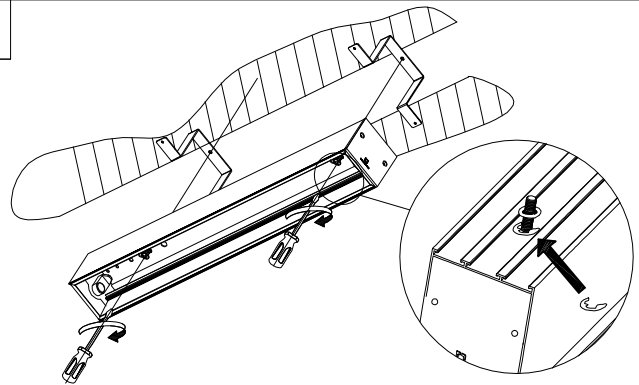
EMPOTRADA TRIMLESS / TRIMLESS RECESSED



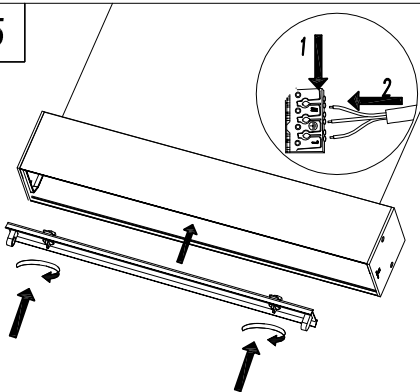
3



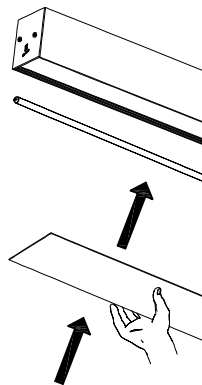
4



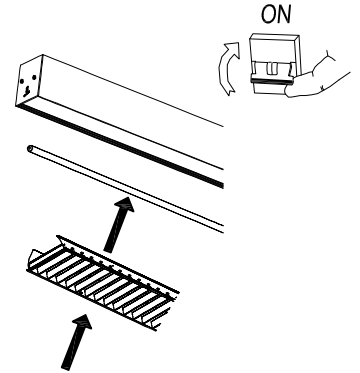
5



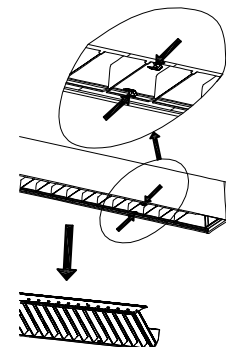
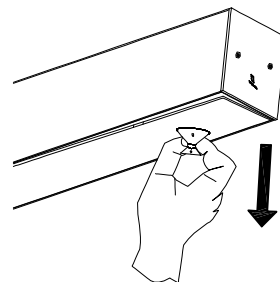
6

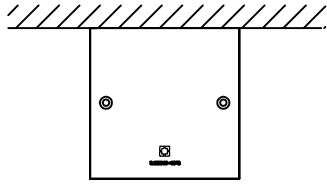


ON

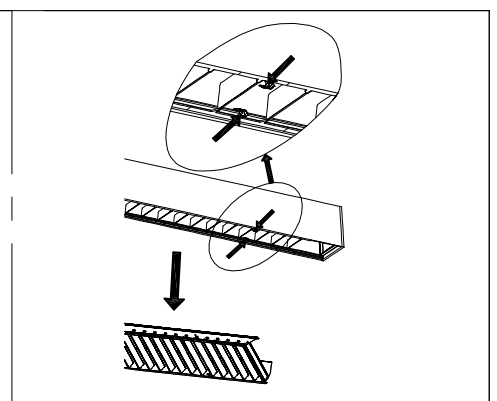
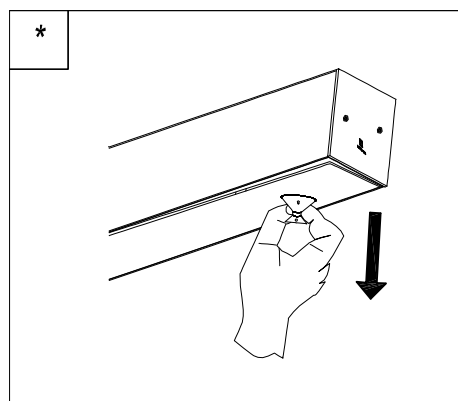
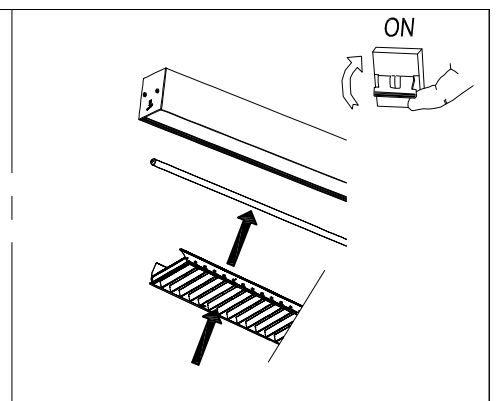
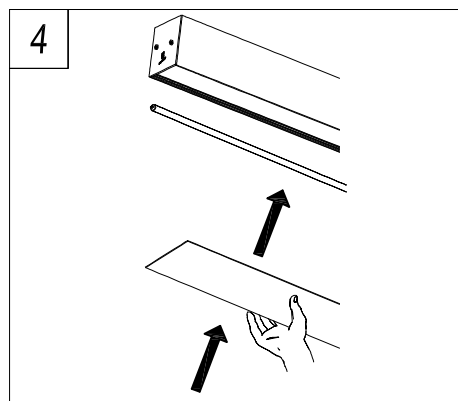
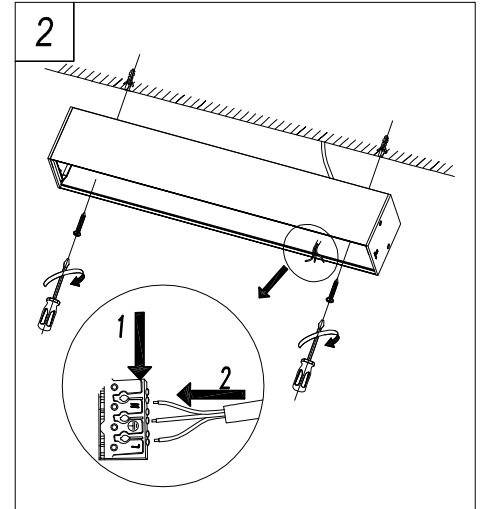
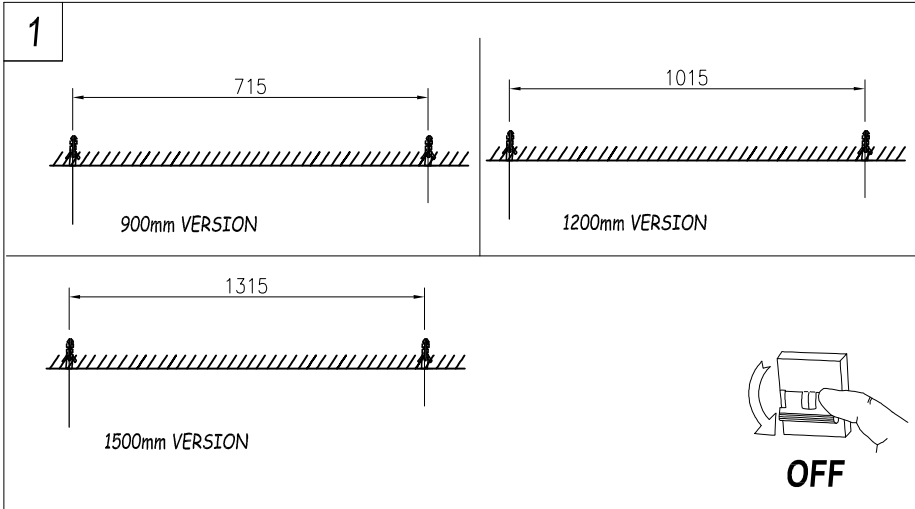


*

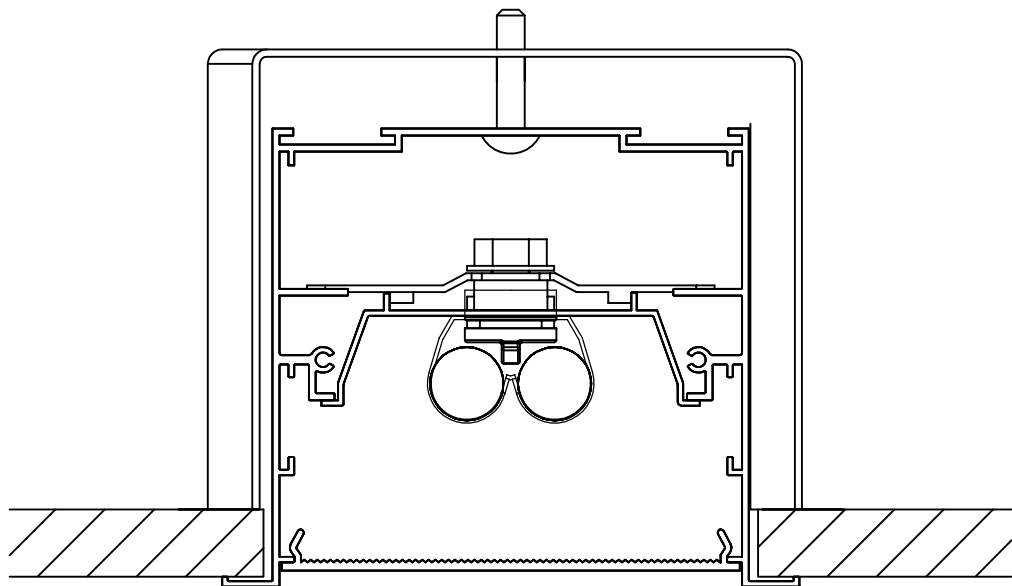
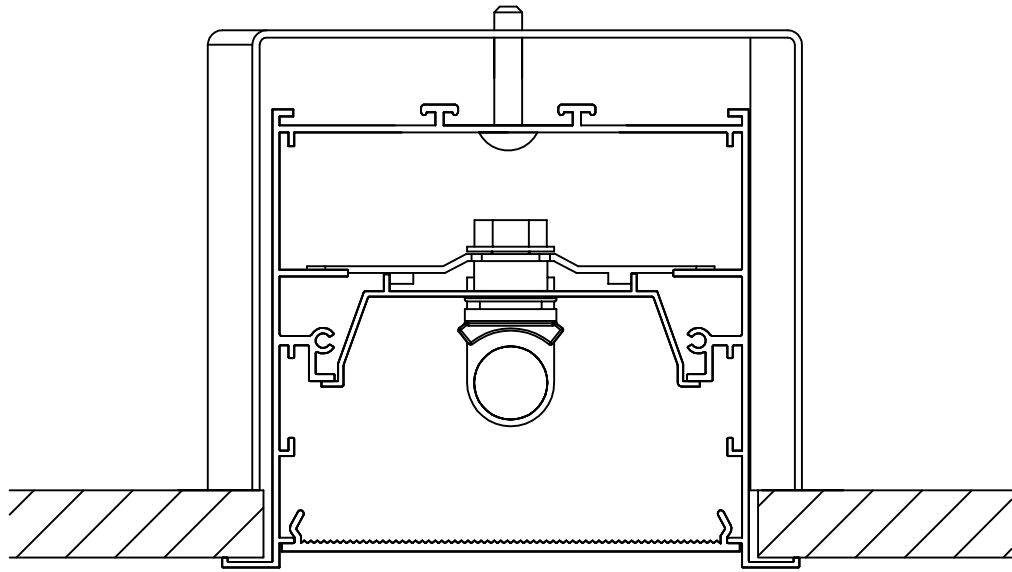


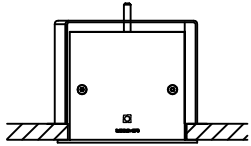


ADOSADA / SURFACE MOUNTED



INFINITE STANDARD TRIM

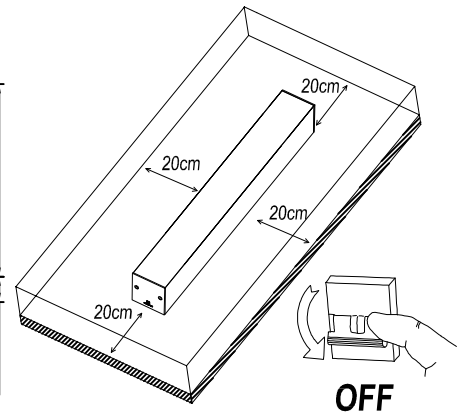
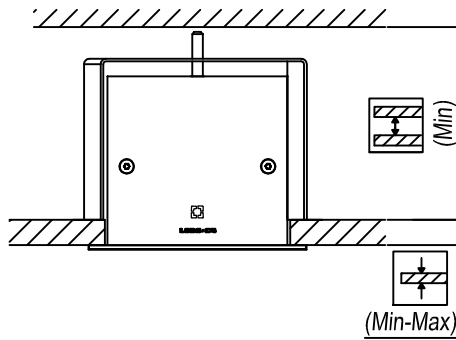




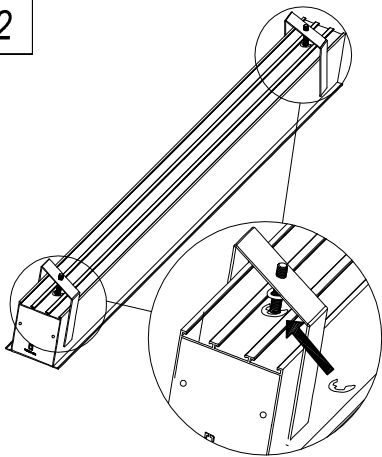
EMPOTRADA TRIM / TRIM RECESSED

1

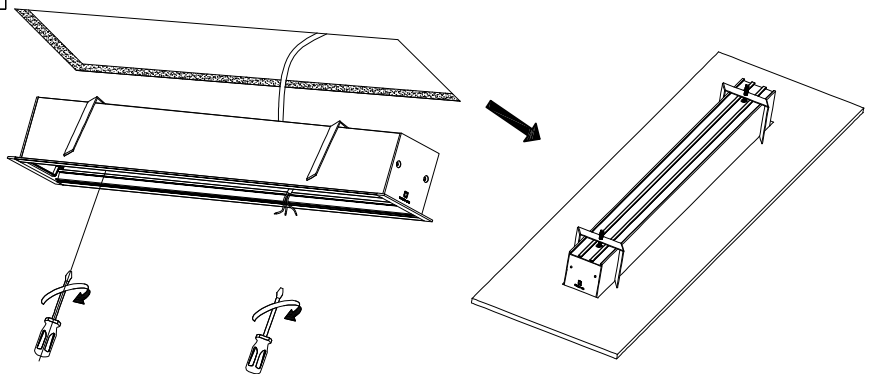
| REF. | ⏏ (mm) | ⏏ (Min-Max) | ⏏ (Min) |
|---------------|----------|-------------|---------|
| 1 LAMP 900mm | 905x85 | | |
| 1 LAMP 1200mm | 1205x85 | 5-30mm | 110mm |
| 1 LAMP 1500mm | 1505x85 | | |
| 2 LAMP 900mm | 905x112 | | |
| 2 LAMP 1200mm | 1205x112 | 5-35mm | 130mm |
| 2 LAMP 1500mm | 1505x112 | | |



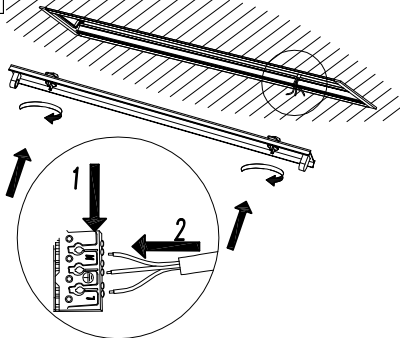
2



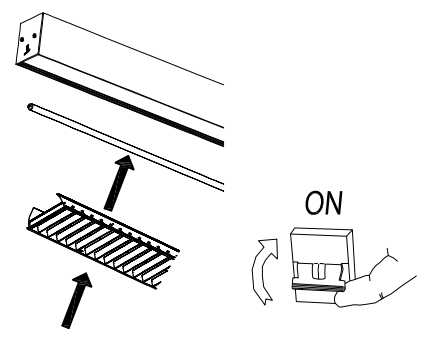
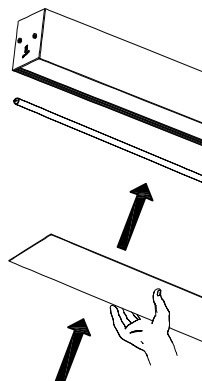
3



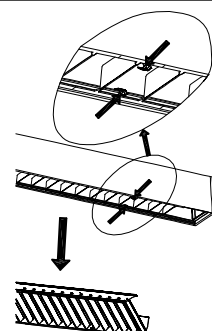
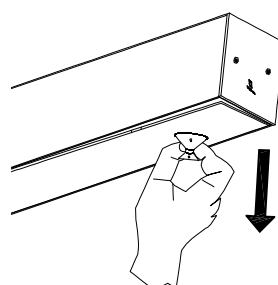
4



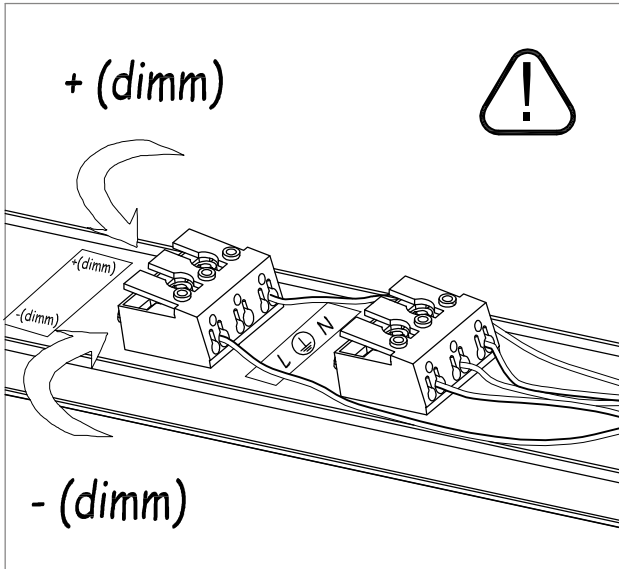
5



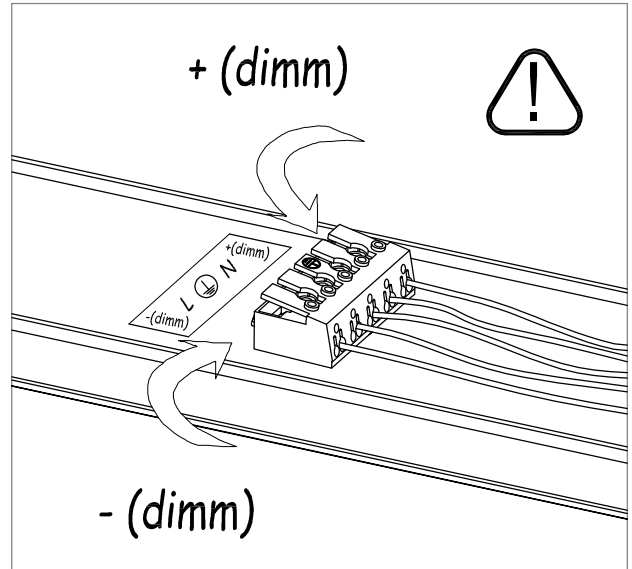
*



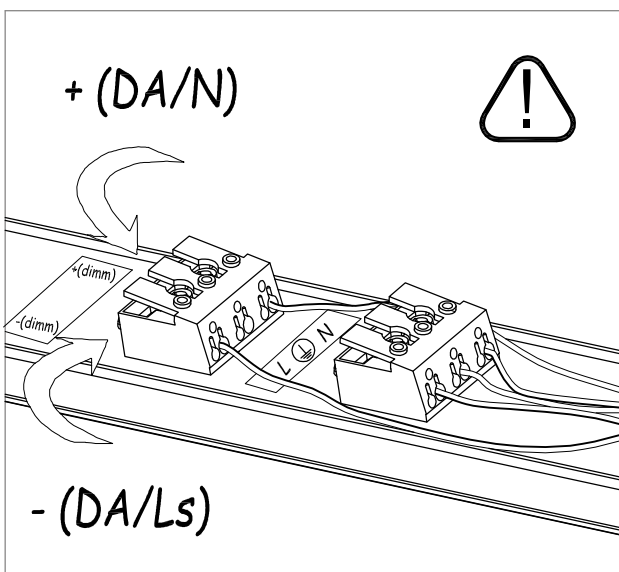
1-10V 1TL5



1-10V 2TL5



TOUCH & DALI 1TL5



TOUCH & DALI 2TL5

