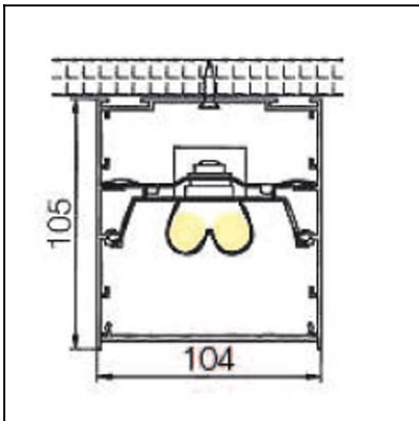


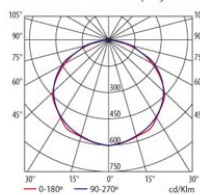
INFINITE AD-0665-N3-00



The photograph may not match the reference exactly. Please read the product description to identify the finish.



TL5 G5 2x39W polycarbonate



$\eta = 28,40\%$

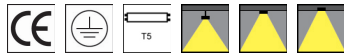
H (m)	Emed (lux)	D (m)
1	110	3.46
2	27	6.93
3	12	10.39
4	7	13.86
5	4	17.32

DESCRIPTION

Linear fluorescent luminaires for suspended lighting, surface mounted, trimless recessed or trimmed recessed installation. Available in versions for one or two 36W, 54W or 80W T5 H.O. lamps. Housing produced in extruded aluminium, cover made of injected aluminium, polycarbonate or double parabolic diffusers and reflector made of high grade aluminium. Finish in grey and white. All lights are supplied with covers and electrical ballast. A wide selection of optional accessories are available for connecting several units.

TECHNICAL CHARACTERISTICS

Type:	Ceiling fixture
IP Protection degrees:	IP20
Lampholder:	2 x G5
Power (W):	G5 39
Total power consumption (W):	68.5
Voltage / Frequency:	230V/50-60Hz
Warranty (Years):	2
Units per box:	1
Net Weight (Kg):	2.635
EAN:	0,00



MATERIALS / FINISHES

Structure material: Extruded aluminium

Diffuser material: Polycarbonate

Structure finish: Grey

Diffuser finish: Opal

GEAR

Gear included: Yes, electronic

Download photometric file .ldt / .ies

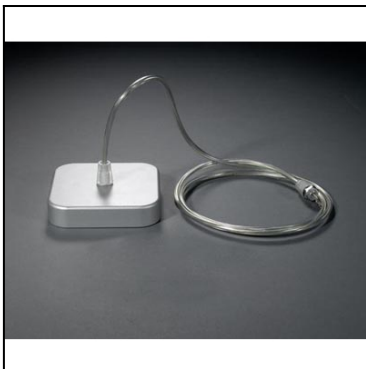
ACT-9091-N3-00



Steel cord

Structure material: Steel

ACT-9090-N3-00

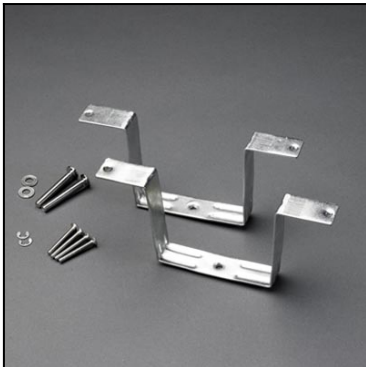


Power supply unit

Structure material: Injected aluminium

Structure finish: Grey

ACT-9093-00-00



Structure material: Galvanized steel

ACT-9097-00-00



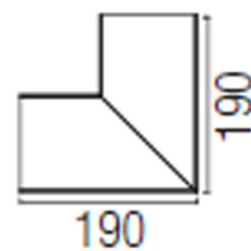
Profile union kit

Structure material: Steel

ACT-9151-N3-M1

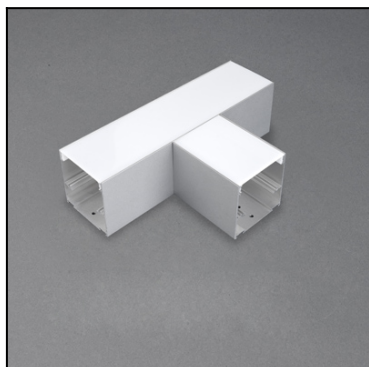


L-shape connector kit + PC cover

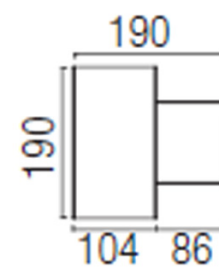


IP20

ACT-9155-N3-M1



T-shape connector kit + PC cover

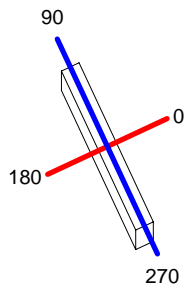


IP20

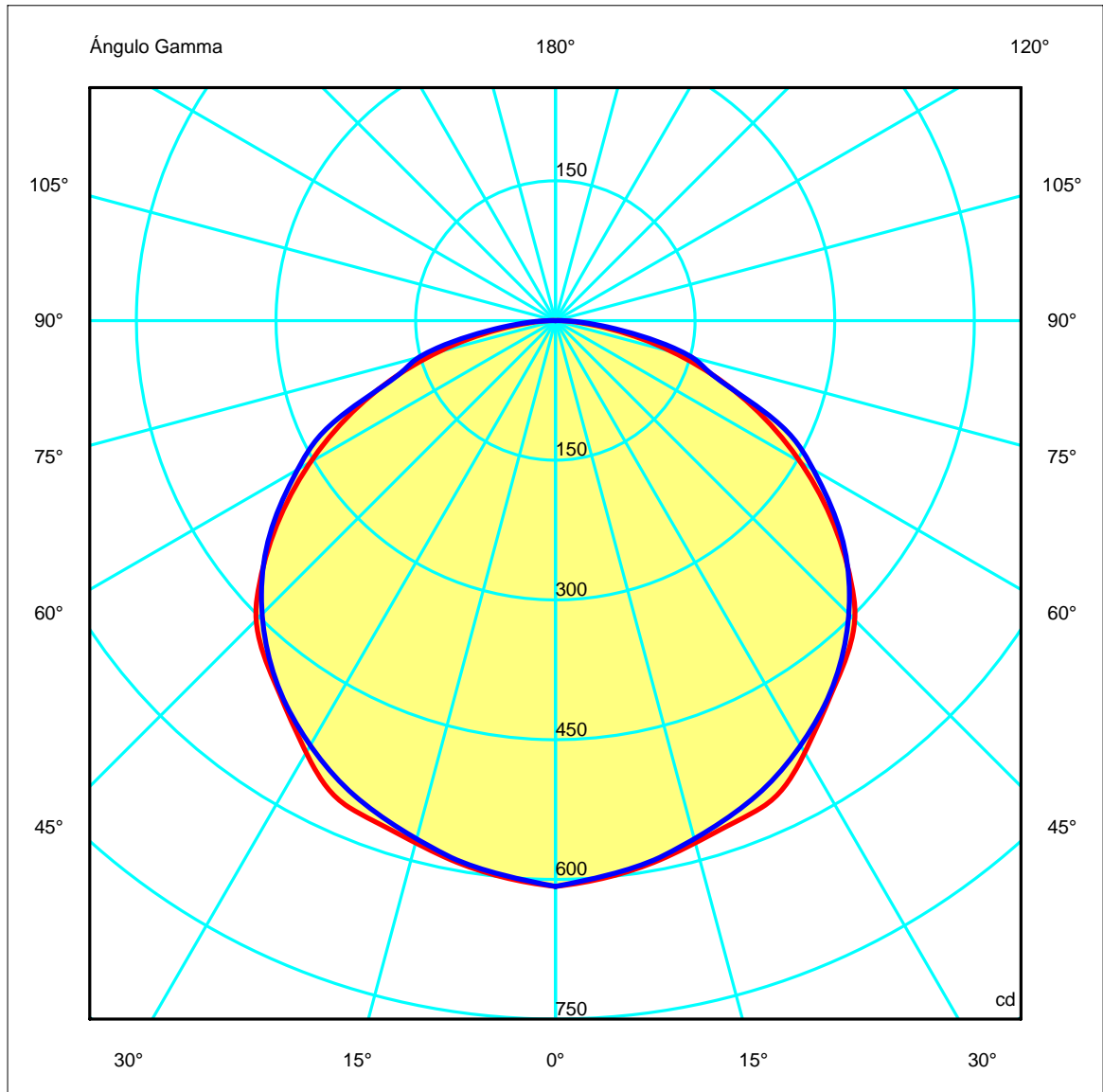
Luminaria		Ensayo		Lámpara	
Código	AD-0665-N3-00	Código	AD-0665-N3-00	Código	FQ 39 W/840 HO
Nombre	Lumin. 2x39W T5 policarbonato	NombreLum.	2x39W T5 policarbonato	Número	2
Familia	- LEDS-C4	Fecha	30-11-2010	Posición	Universal
Eficiencia	28.40%	Sist. de Coorden.	C-G	Flujo Total	6200.00 lm
Valor Máximo	607.50 cd	Posición	C=0.00 G=0.00	Bisimétrico	

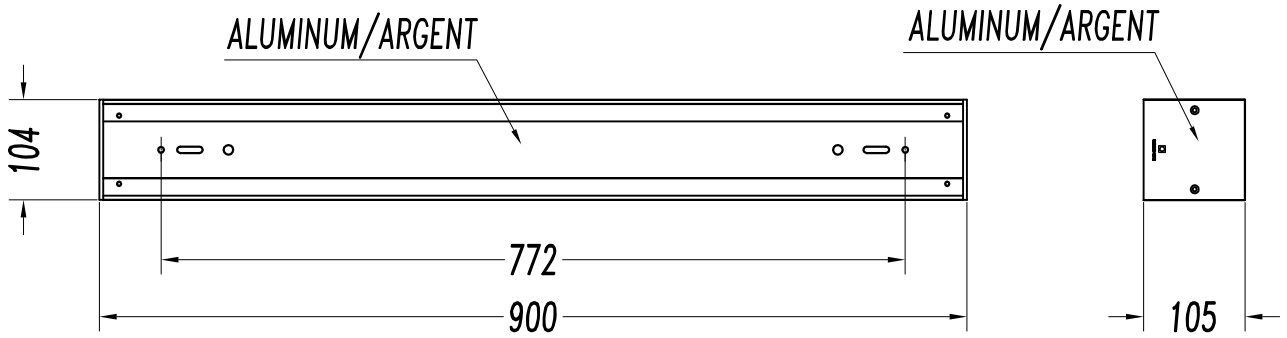
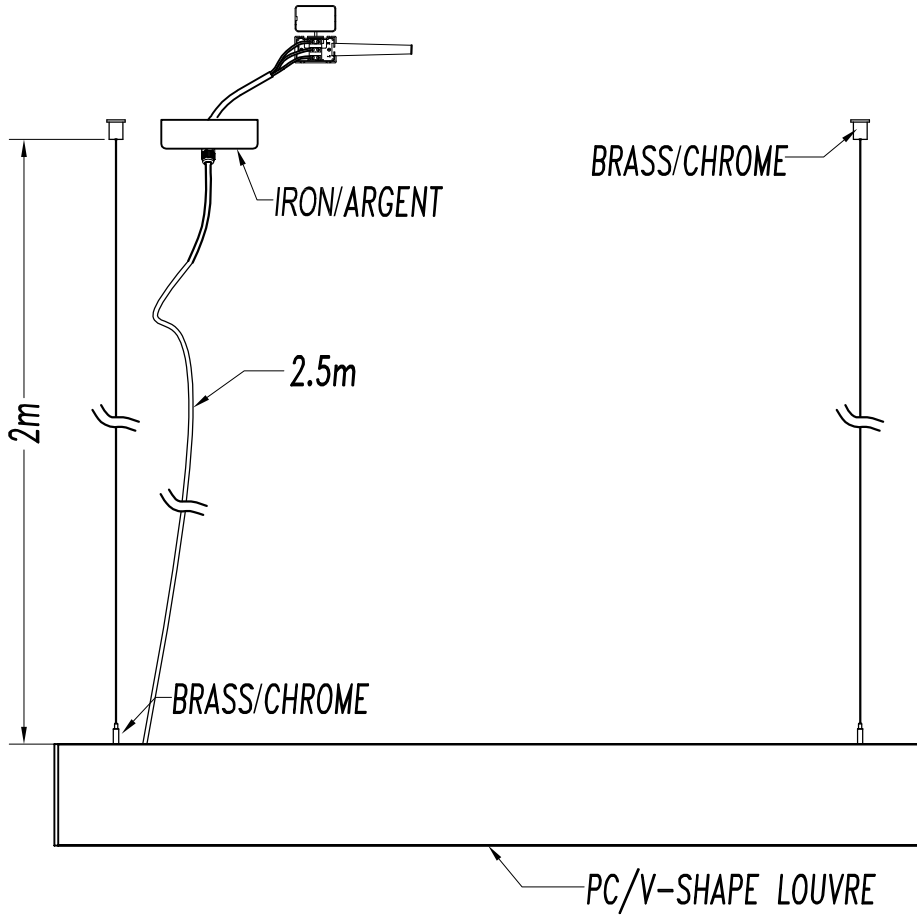
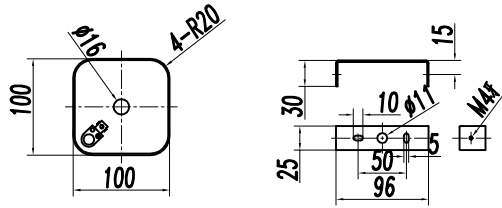
900mm x 100mm

Semiplanos C

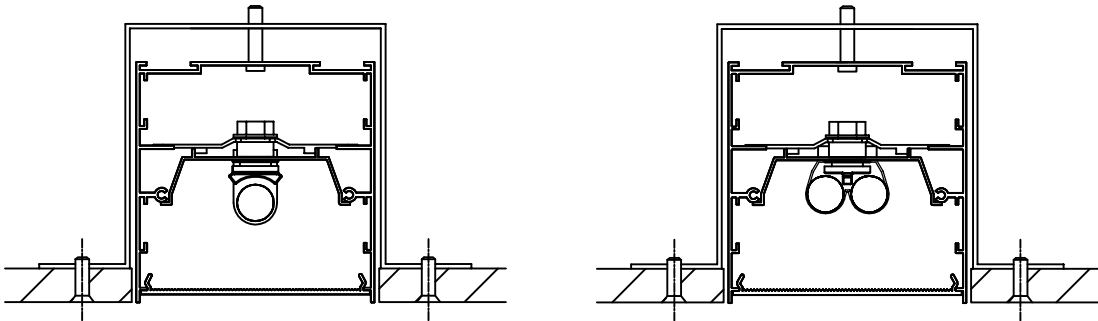
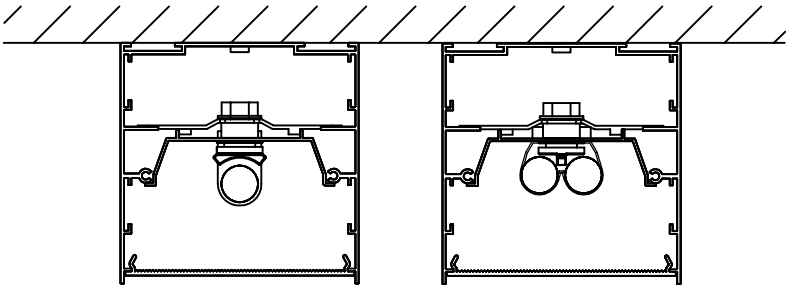
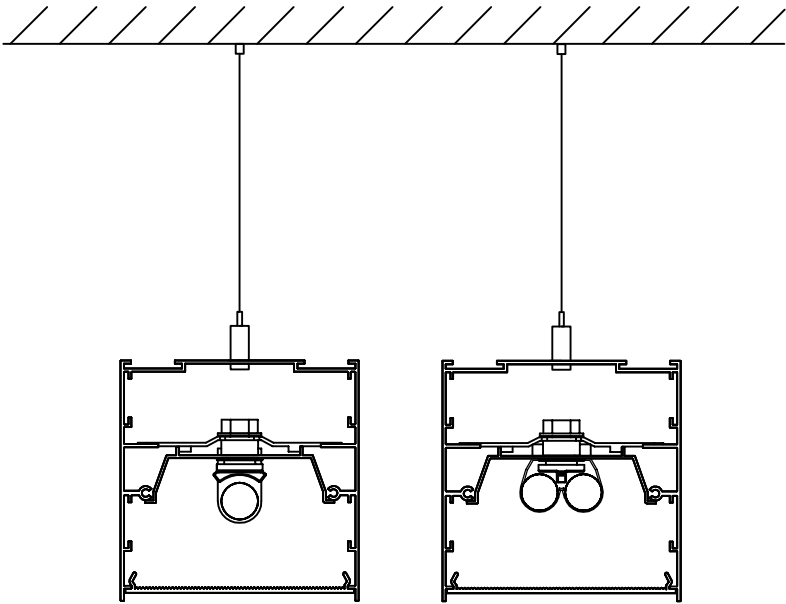


180.0 ——— 0.0
270.0 ——— 90.0

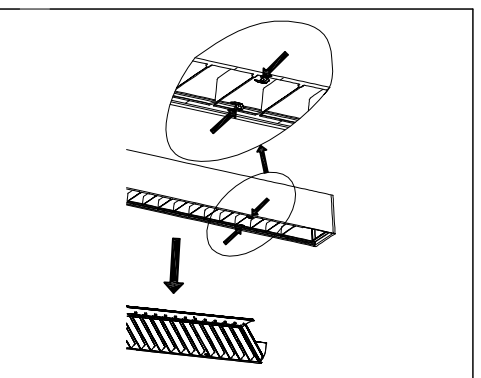
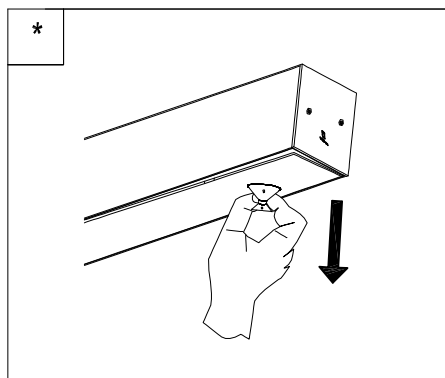
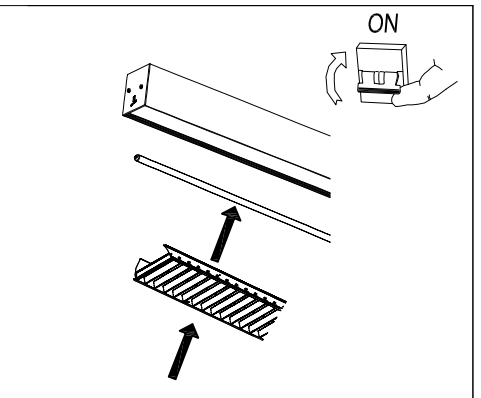
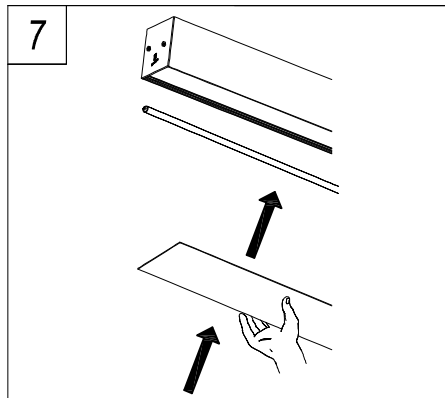
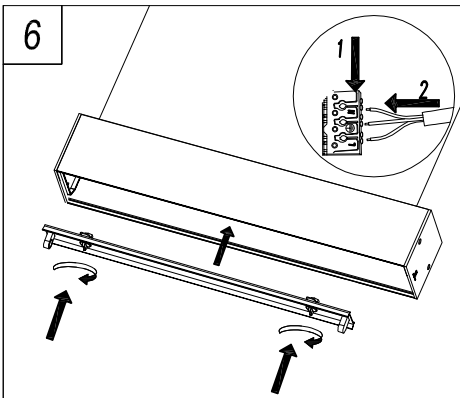
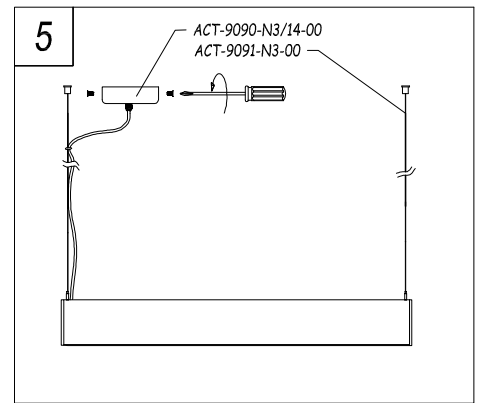
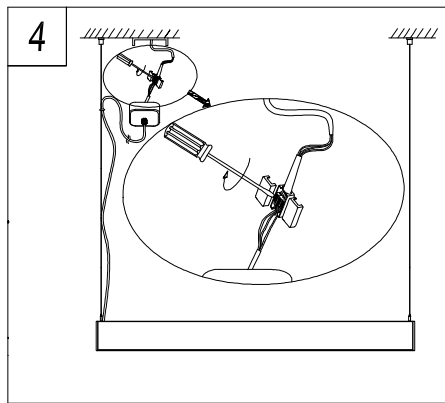
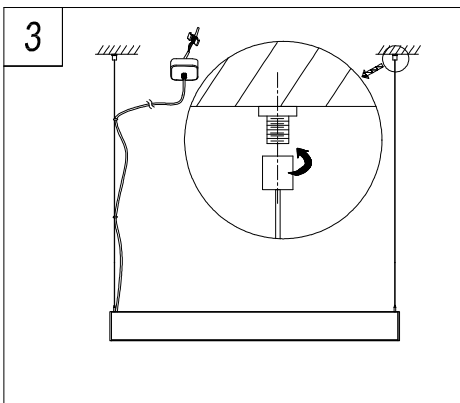
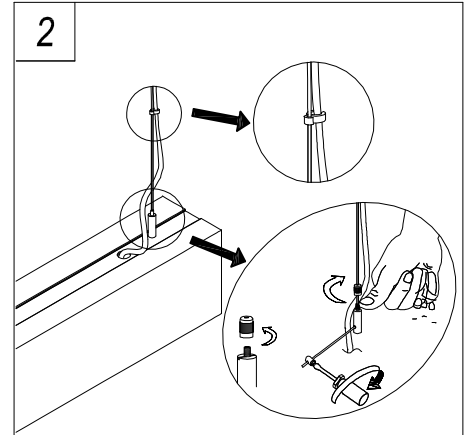
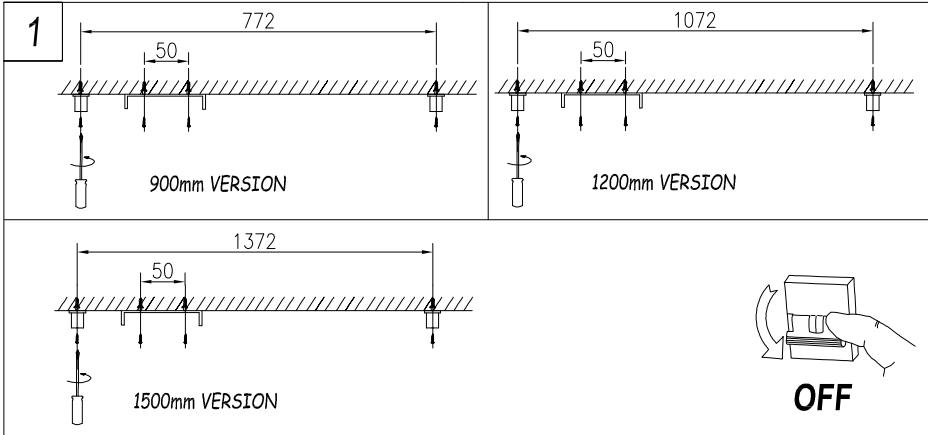
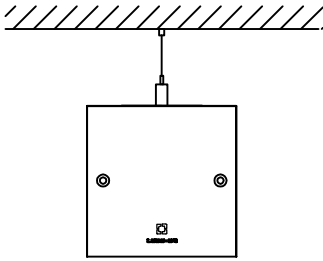




INFINITE STANDARD TRIMLESS



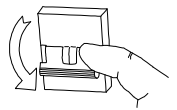
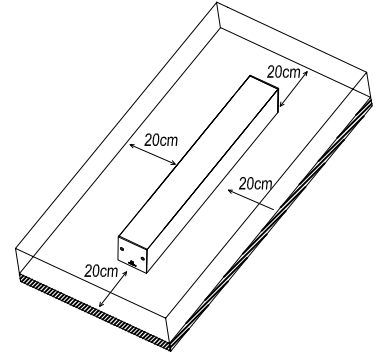
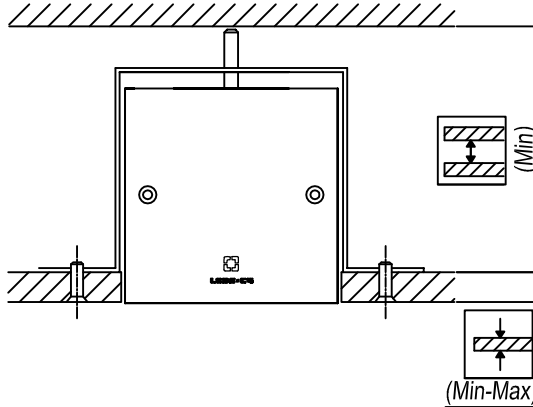
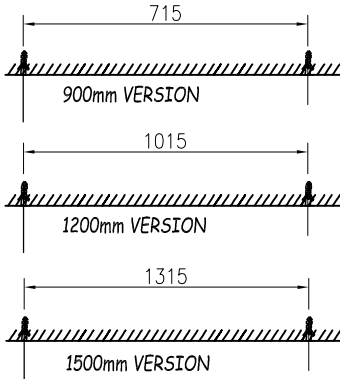
SUSPENDIDA / SUSPENDED



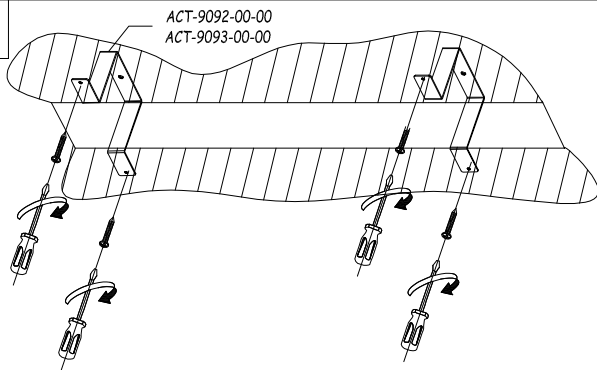
1

REF.			(Min-Max)	(Min)
1 TL5 900mm	902x80	TRIMLESS KIT 1LAMP		
1 TL5 1200mm	1202x80		10-35mm	120mm
1 TL5 1500mm	1502x80			
2 TL5 900mm	902x106	TRIMLESS KIT 2LAMP		
2 TL5 1200mm	1202x106		5-35mm	140mm
2 TL5 1500mm	1502x106			

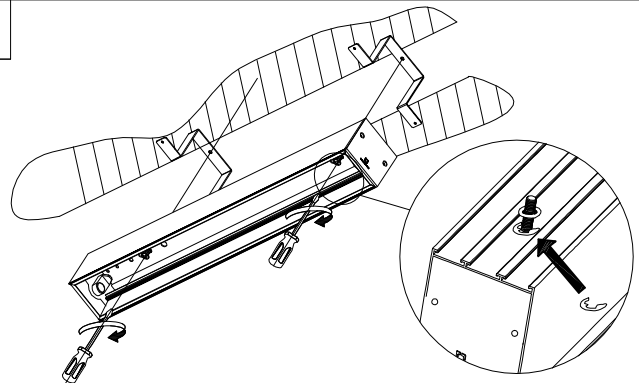
EMPOTRADA TRIMLESS / TRIMLESS RECESSED



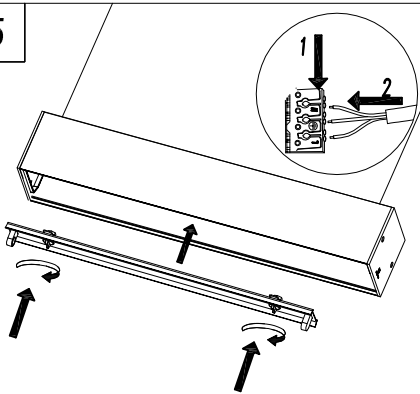
3



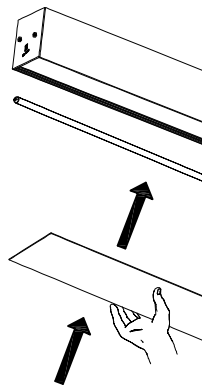
4



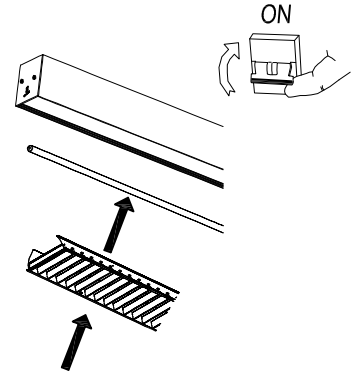
5



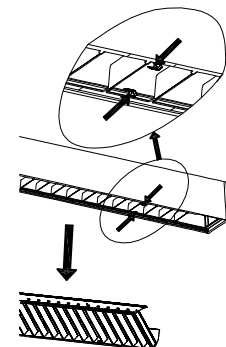
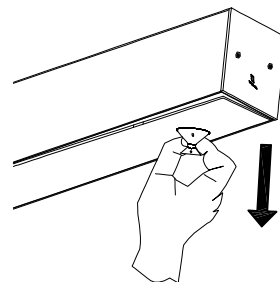
6

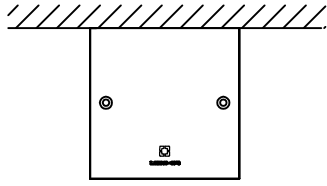


ON

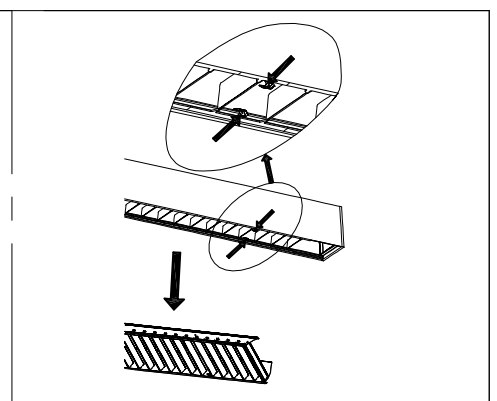
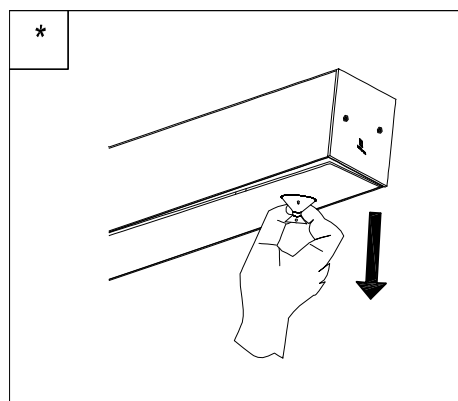
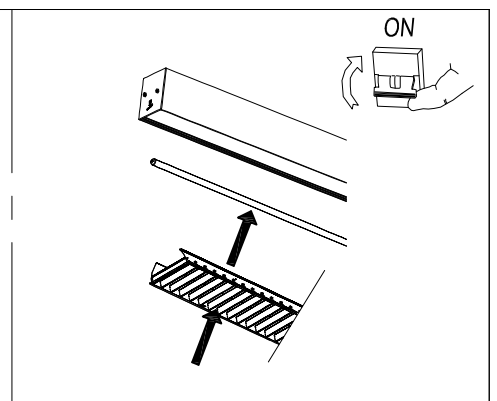
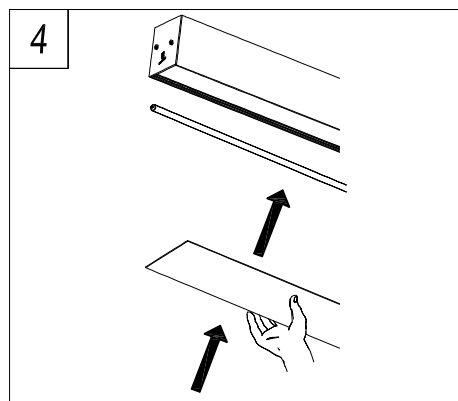
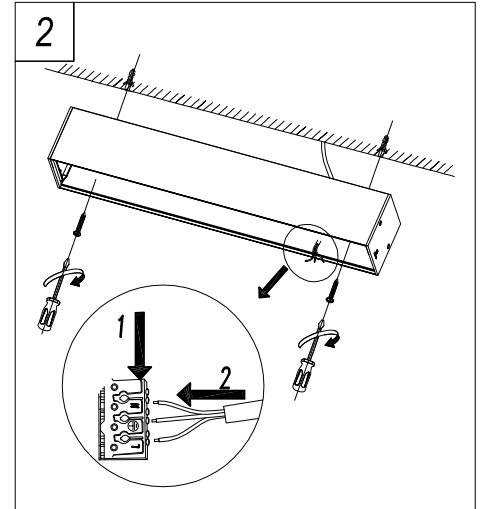
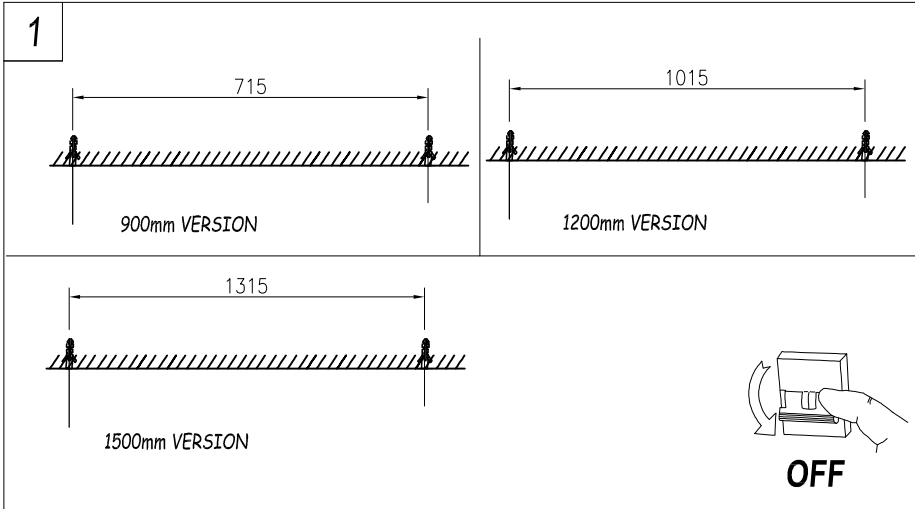


*

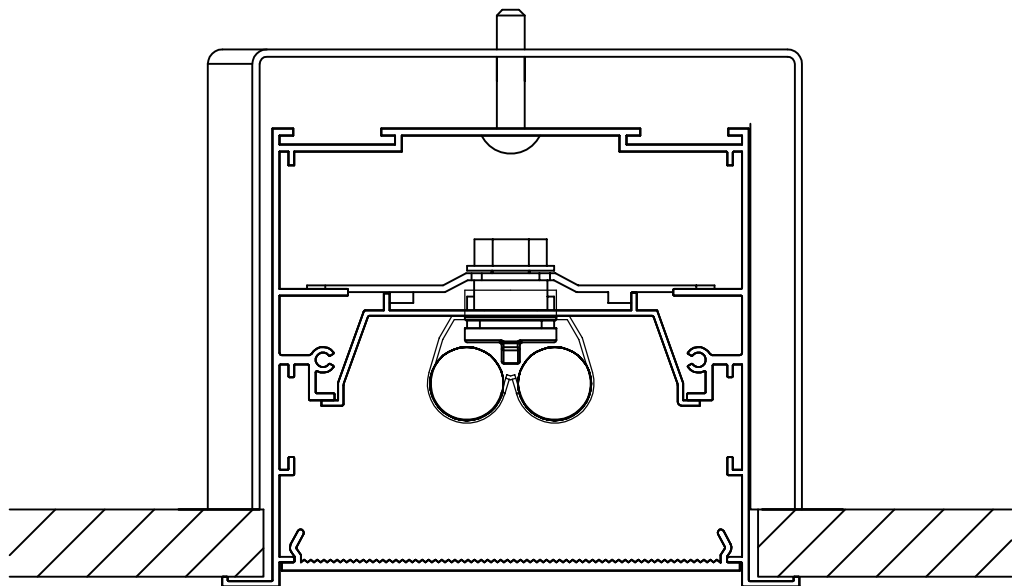
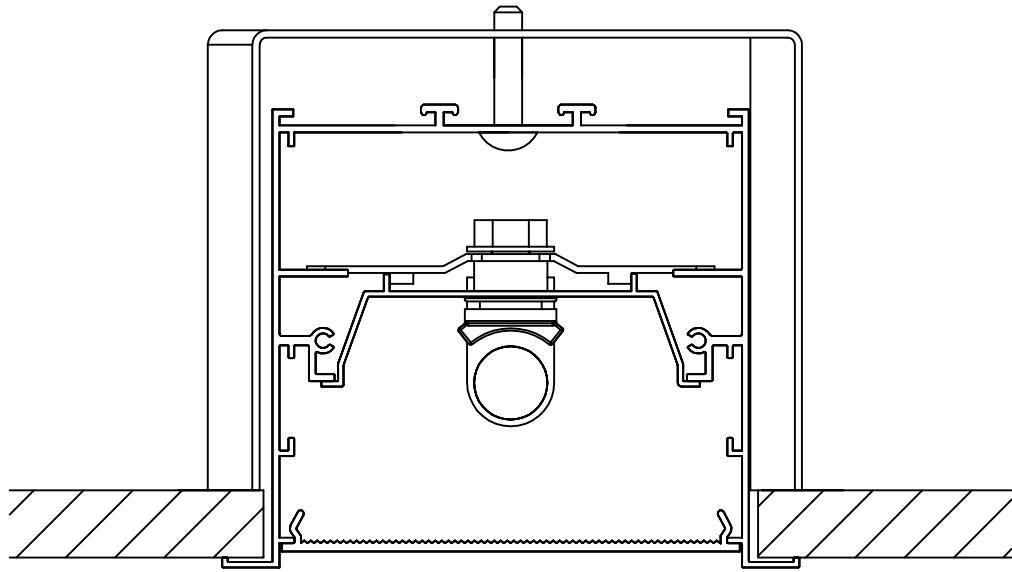


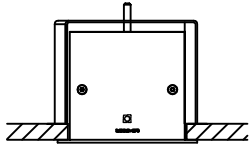


ADOSADA / SURFACE MOUNTED



INFINITE STANDARD TRIM

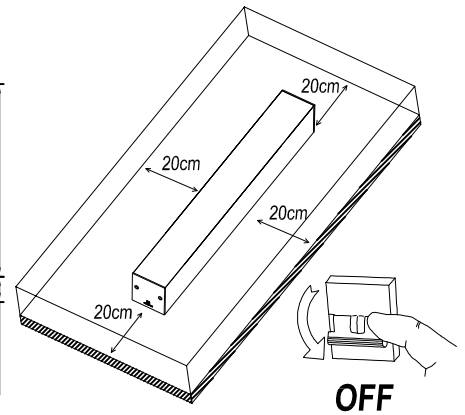
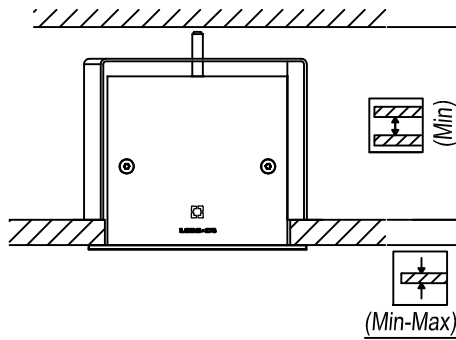




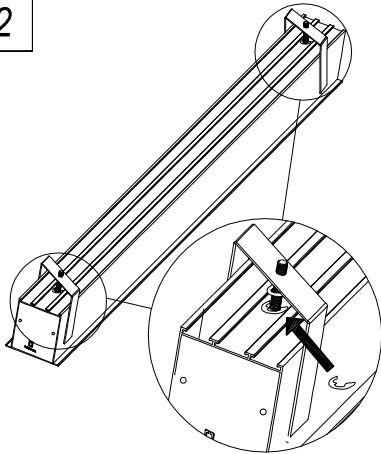
EMPOTRADA TRIM / TRIM RECESSED

1

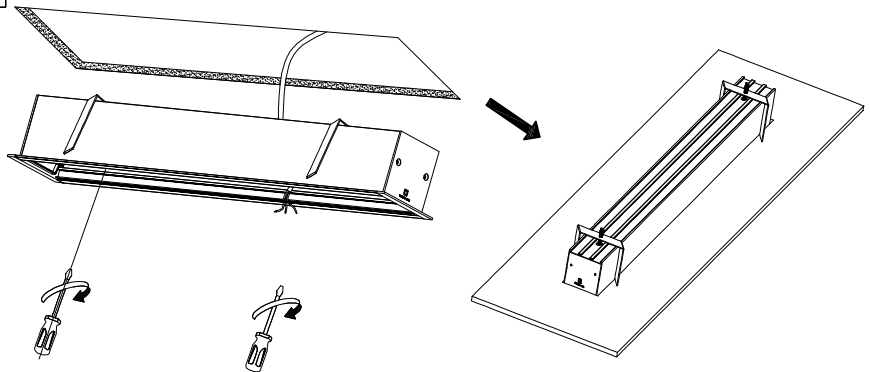
REF.	⏏ (mm)	⏏ (Min-Max)	⏏ (Min)
1 LAMP 900mm	905x85		
1 LAMP 1200mm	1205x85	5-30mm	110mm
1 LAMP 1500mm	1505x85		
2 LAMP 900mm	905x112		
2 LAMP 1200mm	1205x112	5-35mm	130mm
2 LAMP 1500mm	1505x112		



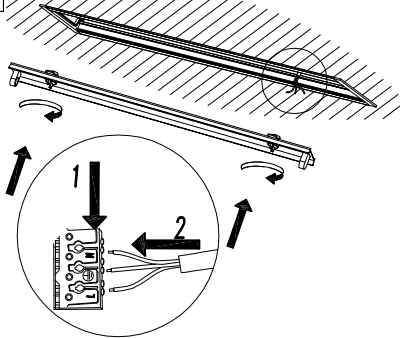
2



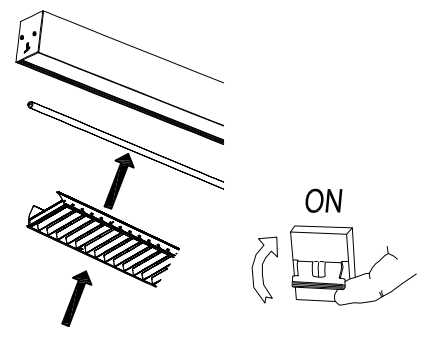
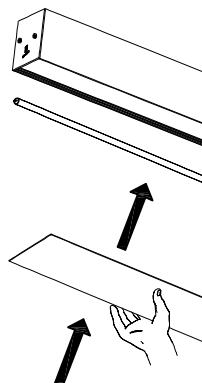
3



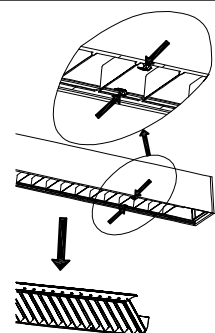
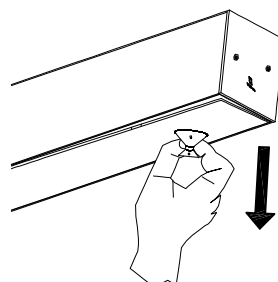
4



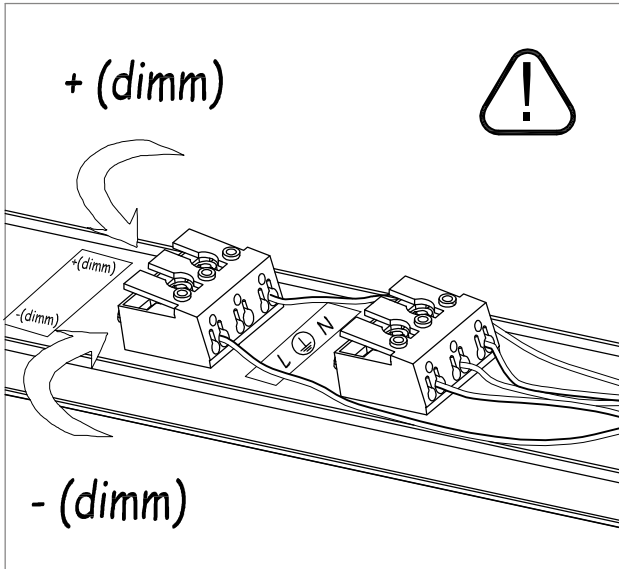
5



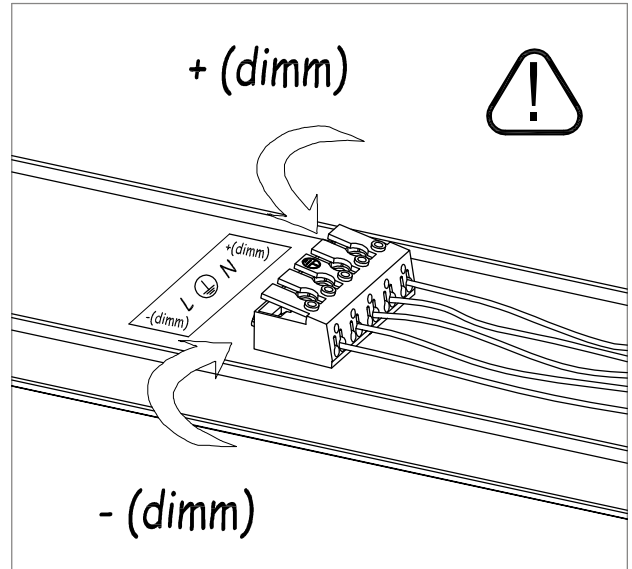
*



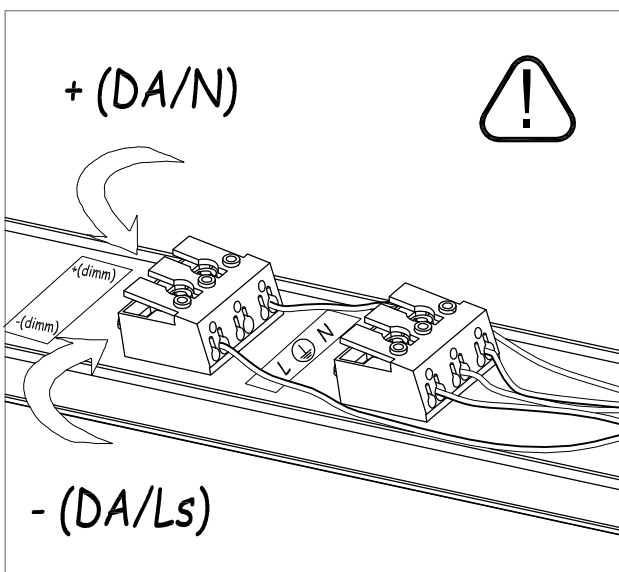
1-10V 1TL5



1-10V 2TL5



TOUCH & DALI 1TL5



TOUCH & DALI 2TL5

