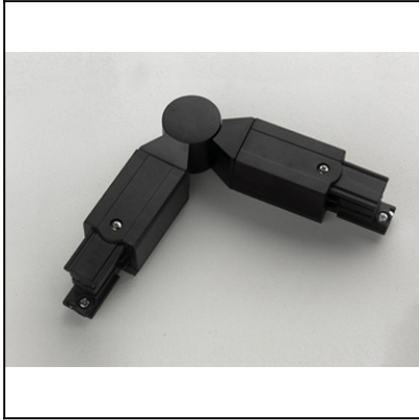
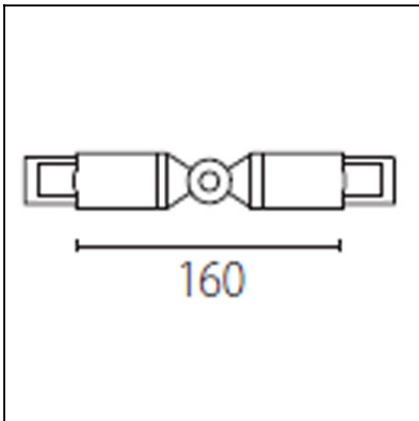


CARRILES

CR-0329-14-00



The photograph may not match the reference exactly. Please read the product description to identify the finish.



Download photometric file .ldt /.ies

DESCRIPTION

Adjustable connector

TECHNICAL CHARACTERISTICS

Type:	Accessory
Warranty (Years):	2
Units per box:	30
Net Weight (Kg):	0.125
EAN:	8435111073179,00



MATERIALS / FINISHES

Structure material: Polypropylene

Structure finish: White

NO

APLICA

NO

APLICA