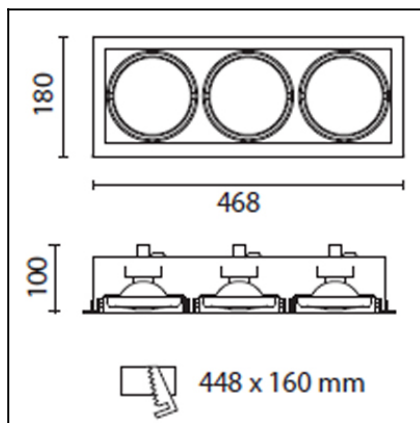


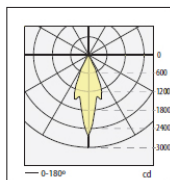
MULTIDIR DM-0063-N3-00



The photograph may not match the reference exactly. Please read the product description to identify the finish.



n° 11
QR-111 60W 45°
η=100 %



H (m)	Emed (lux)	D (m)
1	1623.45	0.83
2	405.86	1.66
3	190.38	2.49
4	101.47	3.32

DESCRIPTION

Recessed downlight with steel plate casing and cast aluminium surround, finish in grey or white. Suitable for different numbers of halogen lamps or LED lamps (with the option of including discharge lamps on request). System allowing a wide angle for directing light beam up to 80°. Includes an easily removable cover behind the fitting to allow the installation of different sized lamps. Anchor clips included in the unit can be adjusted without the need for additional tools. With the option of incorporating colour filters.

TECHNICAL CHARACTERISTICS

Type:	Downlight
Adjustable ±40° around the two axis forming the horizontal plane.	
IP Protection degrees:	IP23
Lampholder:	3 x G53
Power (W):	G53 100
Voltage / Frequency:	12V/50Hz
Warranty (Years):	2
Units per box:	1
Net Weight (Kg):	2.13
EAN:	8435111038048,00



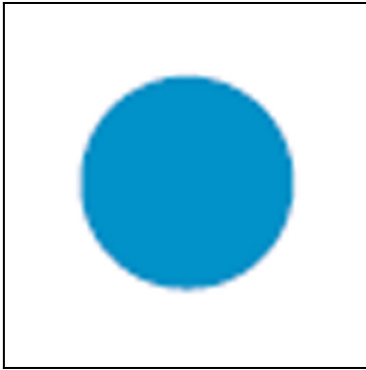
MATERIALS / FINISHES

Structure material:	Steel Aluminium
Structure finish:	Black Grey

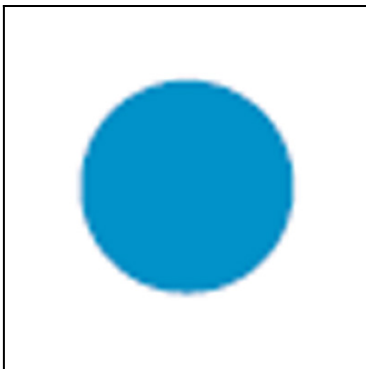
GEAR

Necessary equipment not included. For more information check website / catalogs / sales organization.

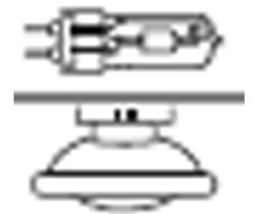
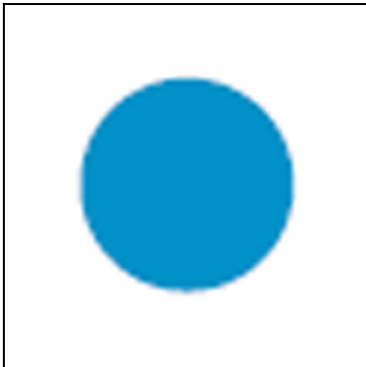
Download photometric file .ldt / .ies

ACT-9131-08-00Colour filter for QR111 lamp**Diffuser material:**

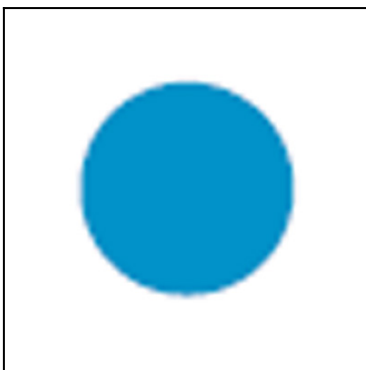
Glass

**ACT-9131-11-00**Colour filter for QR111 lamp**Diffuser material:**

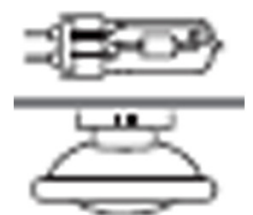
Glass

**ACT-9131-24-00**Colour filter for QR111 lamp**Diffuser material:**

Glass

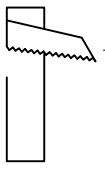
**ACT-9131-25-00**Colour filter for QR111 lamp**Diffuser material:**

Glass



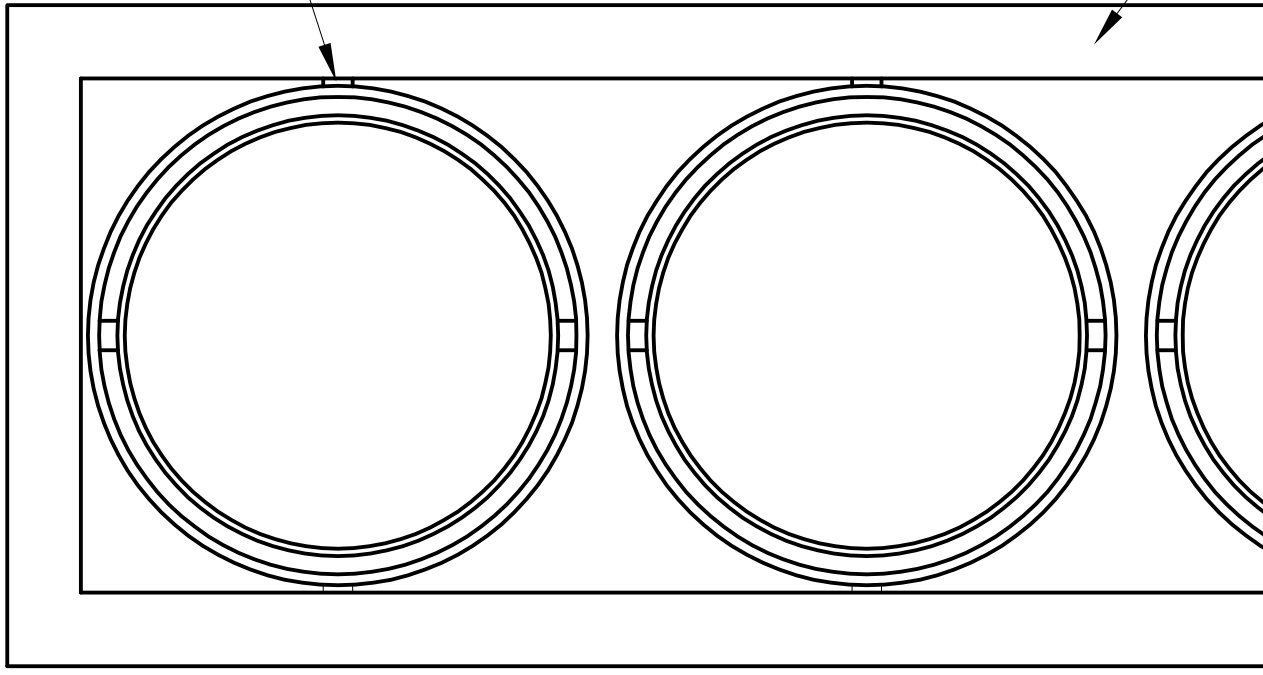
ALUMINIUM / ALUMINIO

ALUMI



448x160

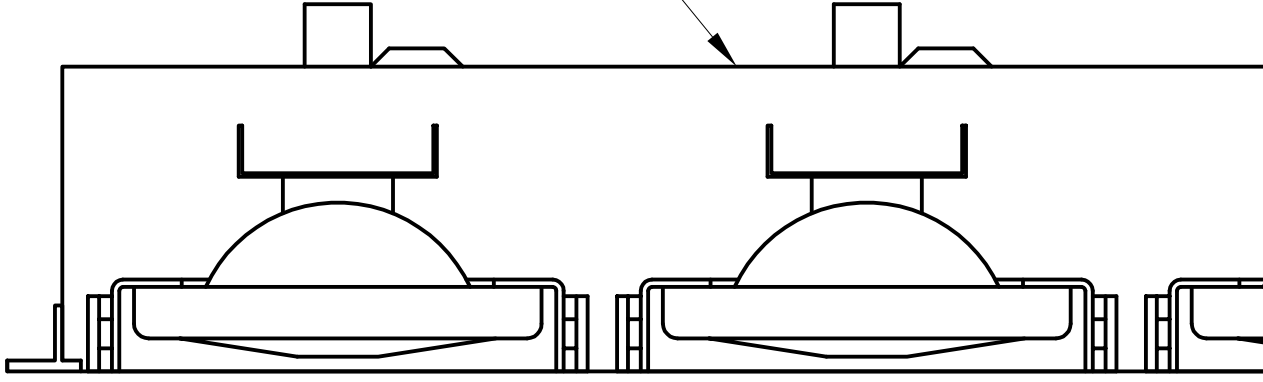
180



468

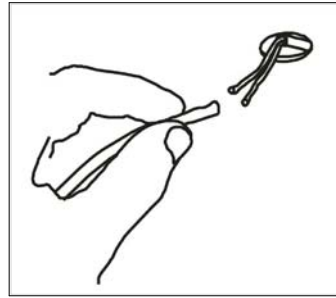
IRON / HIERRO

100



11-09-09

REF.	▮	LAMP	SOCKET
DM-0061-N3-00	160x160	QR-111 1x100W max.	G53
DM-0061-14-00	160x160	QR-111 1x100W max.	G53
DM-0062-N3-00	304x160	QR-111 2x100W max.	G53
DM-0062-14-00	304x160	QR-111 2x100W max.	G53
DM-0063-N3-00	448x160	QR-111 3x100W max.	G53
DM-0063-14-00	448x160	QR-111 3x100W max.	G53
DM-0064-N3-00	313x313	QR-111 4x100W max.	G53
DM-0064-14-00	313x313	QR-111 4x100W max.	G53
DM-1155-N3-00	160x160	AR-111 LED 1x15W	GU10
DM-1155-14-00	160x160	AR-111 LED 1x15W	GU10
DM-1156-N3-00	304x160	AR-111 LED 2x15W	GU10
DM-1156-14-00	304x160	AR-111 LED 2x15W	GU10
DM-1157-N3-00	448x160	AR-111 LED3x15W	GU10
DM-1157-14-00	448x160	AR-111 LED3x15W	GU10
DM-1158-N3-00	313x313	AR-111 LED4x15W	GU10
DM-1158-14-00	313x313	AR-111 LED4x15W	GU10



(E) Cubrir toda la longitud del cable de alimentacion con los manguitos termicos.

(F) Couvrir toute la longueur du cable d'alimentation avec les manchons thermiques fournis avec l'appareil.

(GB) All the length of input wiring should be covered with the insulating sleeves provided with the light fitting.

(D) Zuleitung skabel alif sein er ganzen lange mit den warmeierbuchsenzurauslieferung gelan gen be stuck enzu sammen mit der leuchte.

