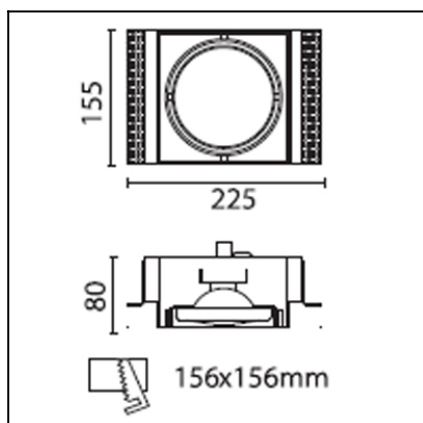


MULTIDIR TRIMLESS

DM-0081-14-00



The photograph may not match the reference exactly. Please read the product description to identify the finish.



DESCRIPTION

Recessed downlight produced in steel plate. It does not include a surround thus enabling its fully flush installation in the ceiling. Suitable for different numbers of halogen lamps or LED lamps (with the option of including discharge lamps on request). System allowing a wide angle for directing the light beam of up to 80°. Includes an easily removable cover behind the casing to allow the installation of different sized lamps. Anchor clips included in the unit can be adjusted without the need for additional tools. With the option of incorporating colour filters.

TECHNICAL CHARACTERISTICS

Type:	Downlight
Adjustable $\pm 40^\circ$ around the two axis forming the horizontal plane.	
IP Protection degrees:	IP23
Lampholder:	1 x G53
Power (W):	G53 100
Voltage / Frequency:	12V/50Hz
Warranty (Years):	2
Units per box:	8
Net Weight (Kg):	1.745
EAN:	8435111057582,00

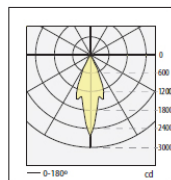


MATERIALS / FINISHES

Structure material: Steel
 Injected aluminium

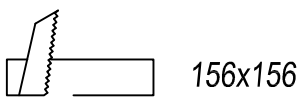
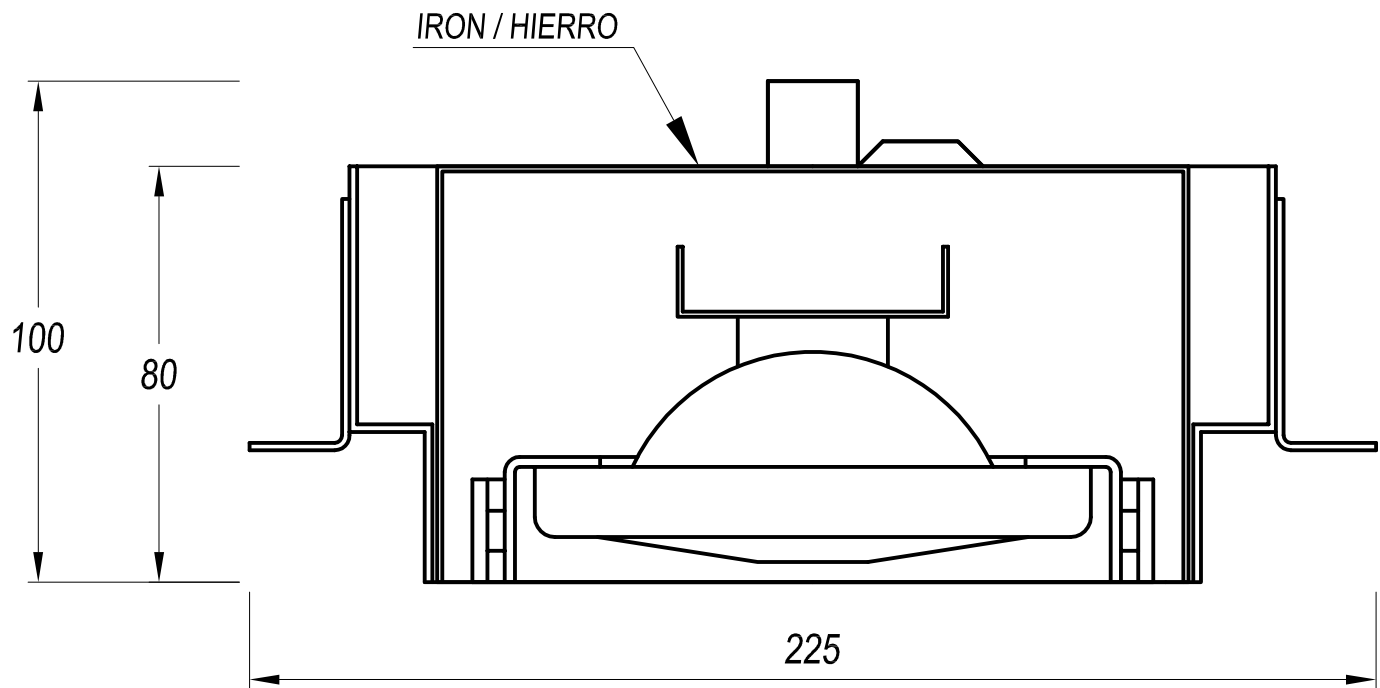
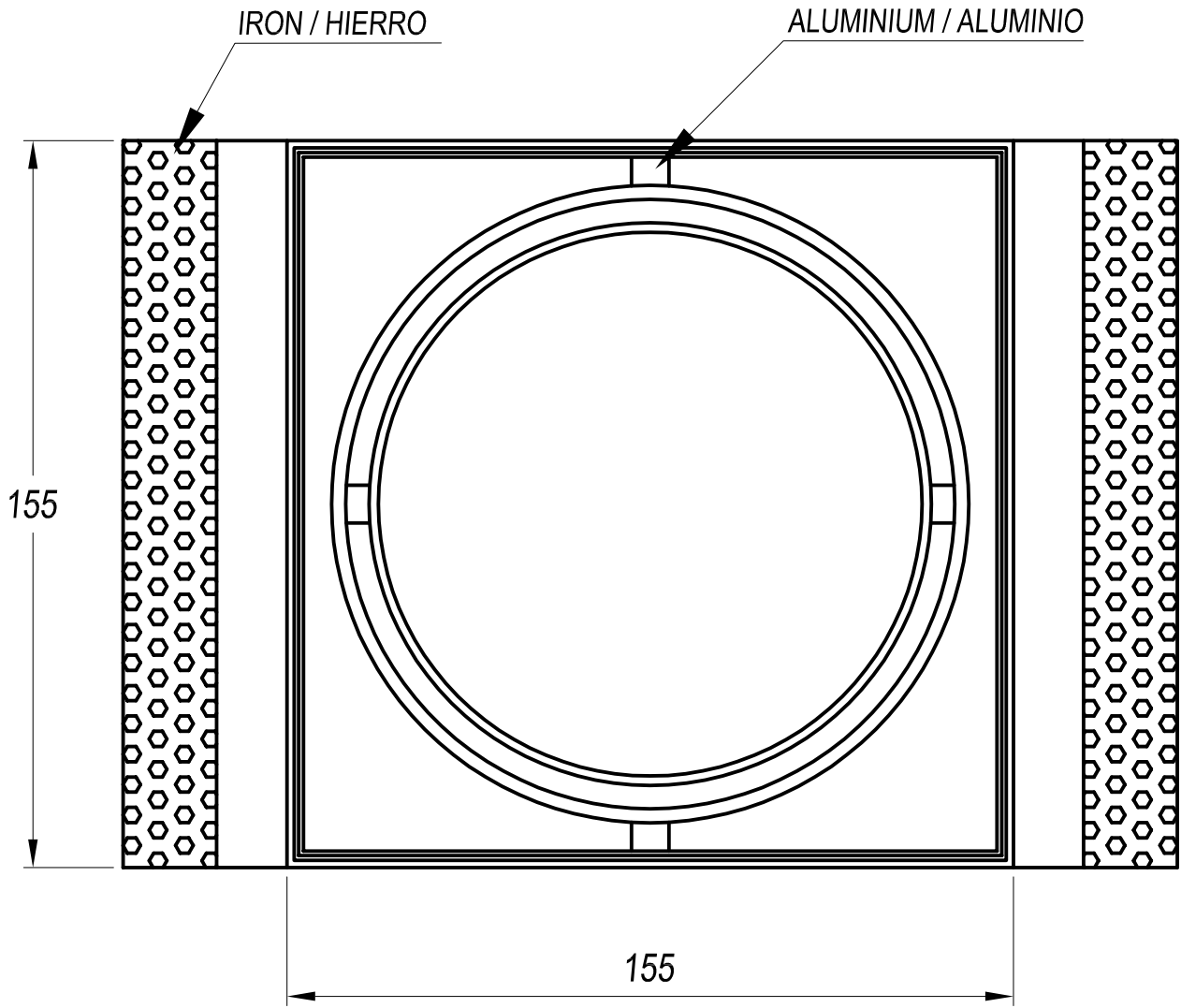
Structure finish: White lacquered
 White

n° 11
 QR-111 60W 45°
 $\eta=100\%$

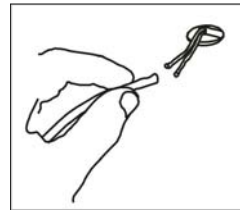
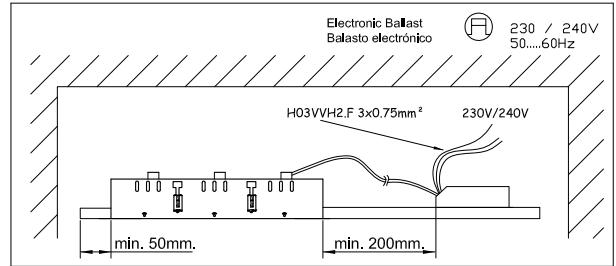
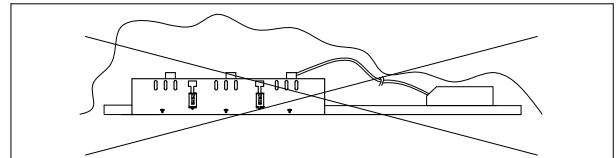


H (m)	Emed (lux)	D (m)
1	1623.45	0.83
2	405.86	1.66
3	190.38	2.49
4	101.47	3.32

Download photometric file .ldt / .ies



REF.	⏏	LAMP	SOCKET
DM-0081-60-00	156x156	QR-111 1x100W max.	G53
DM-0081-14-00	156x156	QR-111 1x100W max.	G53
DM-0082-60-00	300x156	QR-111 2x100W max.	G53
DM-0082-14-00	300x156	QR-111 2x100W max.	G53
DM-0083-60-00	444x156	QR-111 3x100W max.	G53
DM-0083-14-00	444x156	QR-111 3x100W max.	G53
DM-0084-60-00	311x311	QR-111 4x100W max.	G53
DM-0084-14-00	311x311	QR-111 4x100W max.	G53
DM-0093-60-00	108x108	QR-CB51 1x50W max.	GU5.3
DM-0093-14-00	108x108	QR-CB51 1x50W max.	GU5.3
DM-0094-60-00	206x108	QR-CB51 2x50W max.	GU5.3
DM-0094-14-00	206x108	QR-CB51 2x50W max.	GU5.3
DM-0095-60-00	304x108	QR-CB51 3x50W max.	GU5.3
DM-0095-14-00	304x108	QR-CB51 3x50W max.	GU5.3
DM-0096-60-00	214x214	QR-CB51 4x50W max.	GU5.3
DM-0096-14-00	214x214	QR-CB51 4x50W max.	GU5.3
DM-1159-60-00	156x156	AR-111 LED 1x15W	GU10
DM-1159-14-00	156x156	AR-111 LED 1x15W	GU10
DM-1160-60-00	300x156	AR-111 LED 2x15W	GU10
DM-1160-14-00	300x156	AR-111 LED 2x15W	GU10
DM-1161-60-00	444x156	AR-111 LED3x15W	GU10
DM-1161-14-00	444x156	AR-111 LED3x15W	GU10
DM-1162-60-00	311x311	AR-111 LED4x15W	GU10
DM-1162-14-00	311x311	AR-111 LED4x15W	GU10



(E) Cubrir toda la longitud del cable de alimentacion con los manguitos termicos.

(F) Couvrir toute la longueur du cable d'alimentation avec les manchons thermiques fournis avec l'appareil.

(GB) All the length of input wiring should be covered with the insulating sleeves provided with the light fitting.

(D) Zuleitung skabel alif sein er ganzen lange mit den warmeierbuchsenzurauslieferung gelan gen be stuck enzu sammen mit der leuchte.

* AR-111 GU10 LED  / CDM-R111 

