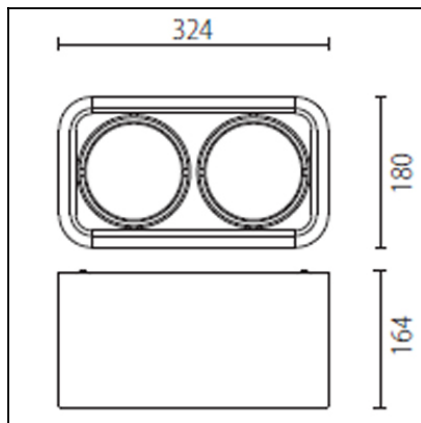


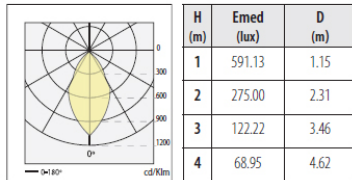
Design by Benedito Design



The photograph may not match the reference exactly. Please read the product description to identify the finish.



n° 08
QR-CBC51 50W 60°
η=100 %

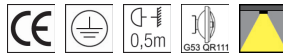


DESCRIPTION

Luminaire for surface or pendant installation (using accessories kit). Produced in extruded aluminium and back casing made of steel. Available for halogen lamps allowing a 80° rotation on the vertical axis. Versions available with 1 or 2 bulbs in the small model and with 1 to 4 bulbs in the large model. With the option of incorporating a pendant installation kit and different coloured filters. Driver included.

TECHNICAL CHARACTERISTICS

Type:	Ceiling fixture
Adjustable ±40° around the two axis forming the horizontal plane.	
IP Protection degrees:	IP23
Lampholder:	2 x G53
Power (W):	G53 75
Voltage / Frequency:	220-240V/50-60Hz
Warranty (Years):	2
Units per box:	6
Net Weight (Kg):	3.66
EAN:	8435111061626,00



MATERIALS / FINISHES

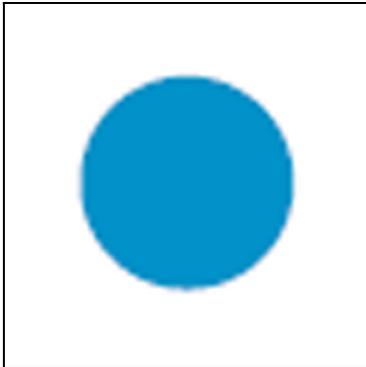
Structure material: Aluminium
Steel

Structure finish: Black
Black

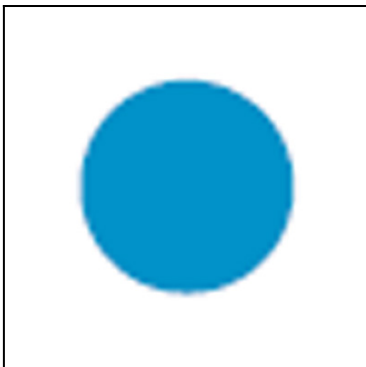
GEAR

Gear included: Yes, electronic

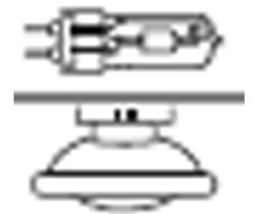
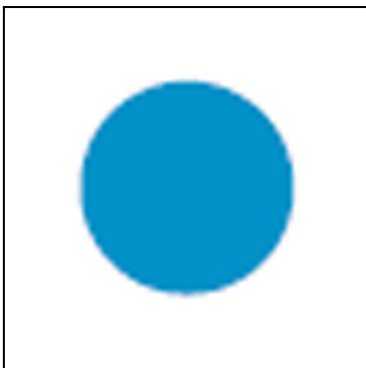
Download photometric file .ldt /.ies

ACT-9131-08-00Colour filter for QR111 lamp**Diffuser material:**

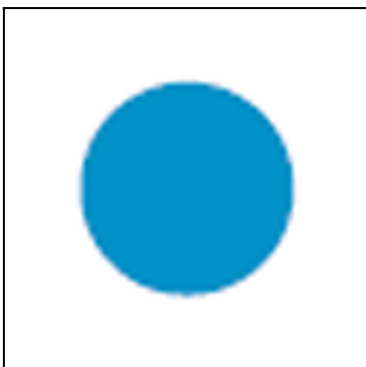
Glass

**ACT-9131-11-00**Colour filter for QR111 lamp**Diffuser material:**

Glass

**ACT-9131-24-00**Colour filter for QR111 lamp**Diffuser material:**

Glass

**ACT-9131-25-00**Colour filter for QR111 lamp**Diffuser material:**

Glass

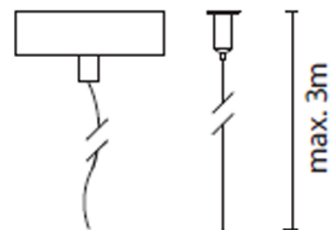


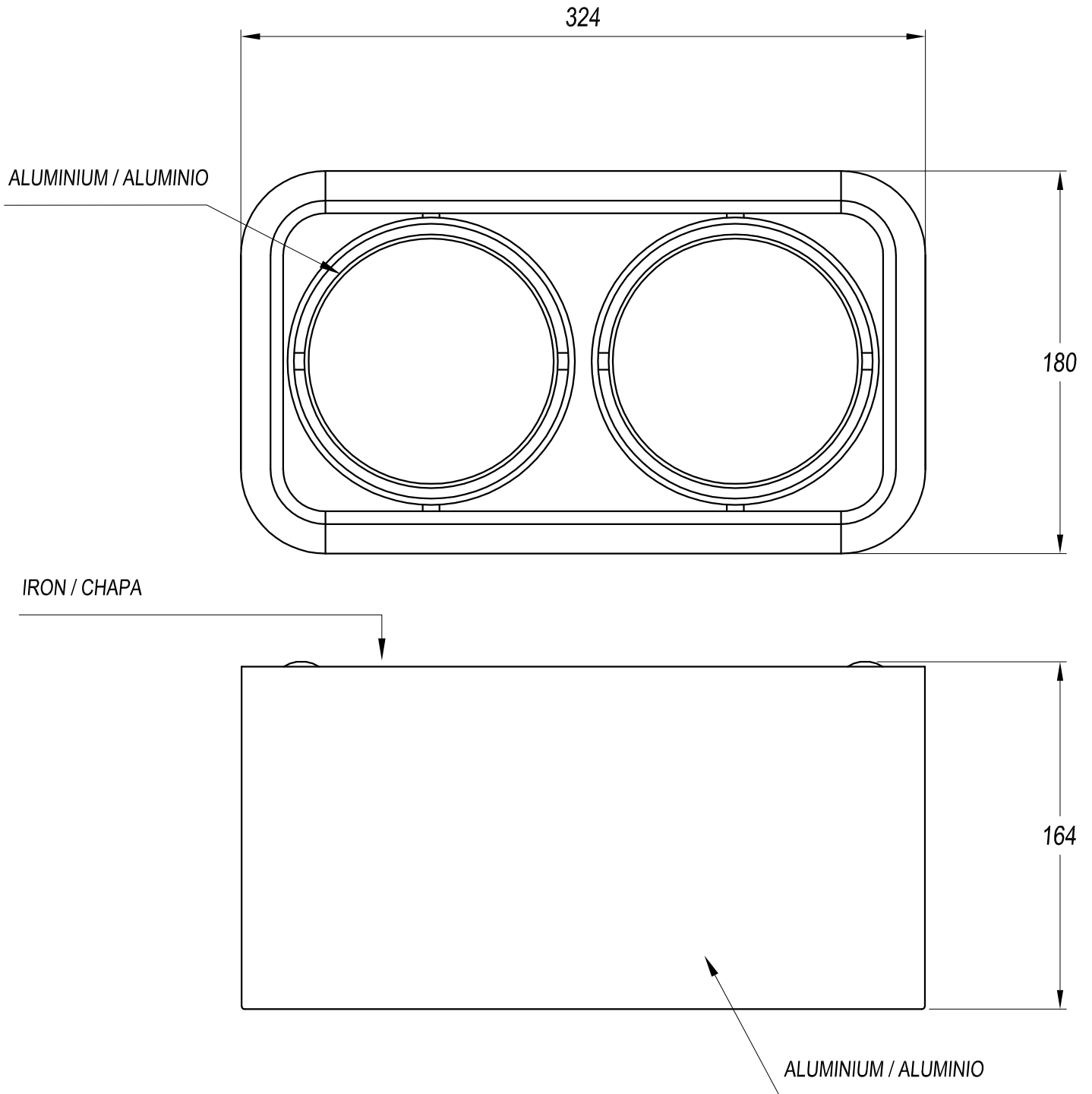
ACT-9045-60-00



Suspension Kit + 2 steel cables

Structure material: Injected aluminium
Structure finish: Black





REF.	LAMP	BEAM	SOCKET
DM-1100-14-00	QR-111 max.75W	-	G53
DM-1100-60-00	QR-111 max.75W	-	G53
DM-1100-N3-00	QR-111 max.75W	-	G53
DM-1101-14-00	QR-111 max. 2x75W	-	G53
DM-1101-60-00	QR-111 max. 2x75W	-	G53
DM-1101-N3-00	QR-111 max. 2x75W	-	G53
DM-1102-14-00	QR-111 max. 3x75W	-	G53
DM-1102-60-00	QR-111 max. 3x75W	-	G53
DM-1102-N3-00	QR-111 max. 3x75W	-	G53
DM-1103-14-00	QR-111 max. 4x75W	-	G53
DM-1103-60-00	QR-111 max. 4x75W	-	G53
DM-1103-N3-00	QR-111 max. 4x75W	-	G53

DM-1150-14-00	QR-CBC51 max. 50W	-	GU5.3
DM-1150-60-00	QR-CBC51 max. 50W	-	GU5.3
DM-1150-N3-00	QR-CBC51 max. 50W	-	GU5.3
DM-1151-14-00	QR-CBC51 max. 2x50W	-	GU5.3
DM-1151-60-00	QR-CBC51 max. 2x50W	-	GU5.3
DM-1151-N3-00	QR-CBC51 max. 2x50W	-	GU5.3

