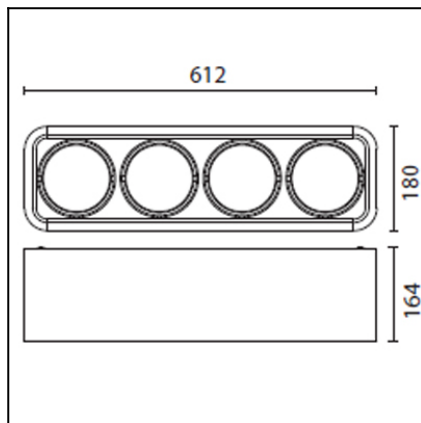


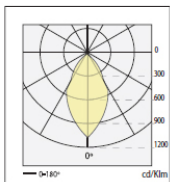
Design by Benedito Design



The photograph may not match the reference exactly. Please read the product description to identify the finish.



n° 08  
QR-CBC51 50W 60°  
η=100 %



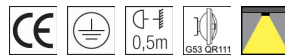
H (m)	Emed (lux)	D (m)
1	591.13	1.15
2	275.00	2.31
3	122.22	3.46
4	68.95	4.62

## DESCRIPTION

Luminaire for surface or pendant installation (using accessories kit). Produced in extruded aluminium and back casing made of steel. Available for halogen lamps allowing a 80° rotation on the vertical axis. Versions available with 1 or 2 bulbs in the small model and with 1 to 4 bulbs in the large model. With the option of incorporating a pendant installation kit and different coloured filters. Driver included.

## TECHNICAL CHARACTERISTICS

Type:	Ceiling fixture
Adjustable ±40° around the two axis forming the horizontal plane.	
IP Protection degrees:	IP23
Lampholder:	4 x G53
Power (W):	G53 75
Voltage / Frequency:	220-240V/50-60Hz
Warranty (Years):	2
Units per box:	1
Net Weight (Kg):	6.4
EAN:	8435111061688,00



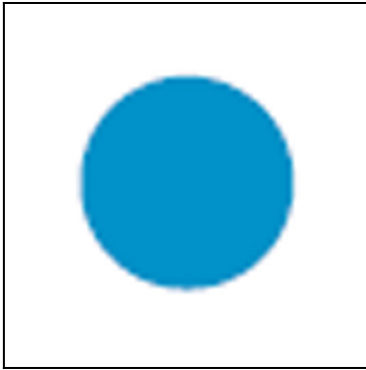
## MATERIALS / FINISHES

<b>Structure material:</b>	Aluminium Steel
<b>Structure finish:</b>	Black Black

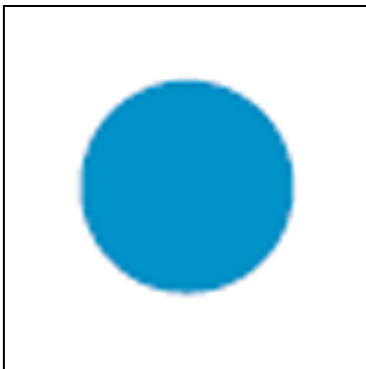
## GEAR

Gear included: Yes, electronic

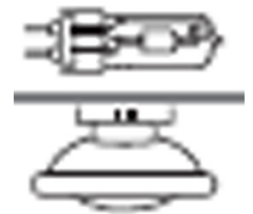
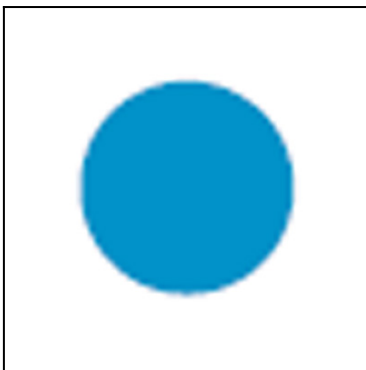
Download photometric file .ldt /.ies

**ACT-9131-08-00**Colour filter for QR111 lamp**Diffuser material:**

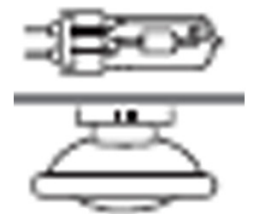
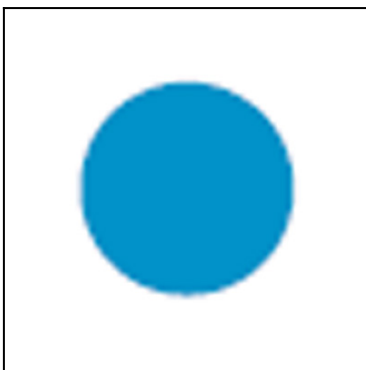
Glass

**ACT-9131-11-00**Colour filter for QR111 lamp**Diffuser material:**

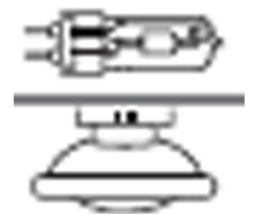
Glass

**ACT-9131-24-00**Colour filter for QR111 lamp**Diffuser material:**

Glass

**ACT-9131-25-00**Colour filter for QR111 lamp**Diffuser material:**

Glass



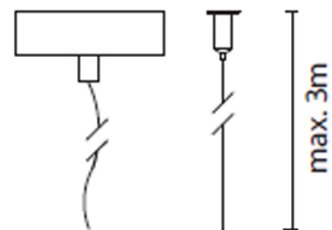
ACT-9045-60-00



Suspension Kit + 2 steel cables

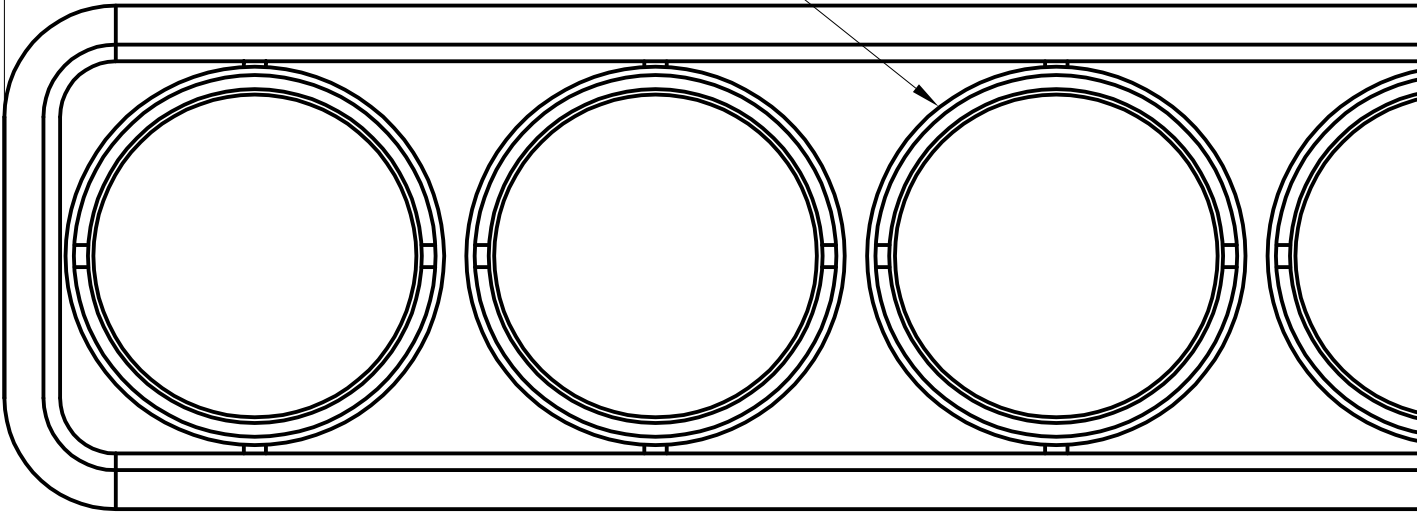
---

**Structure material:** Injected aluminium  
**Structure finish:** Black

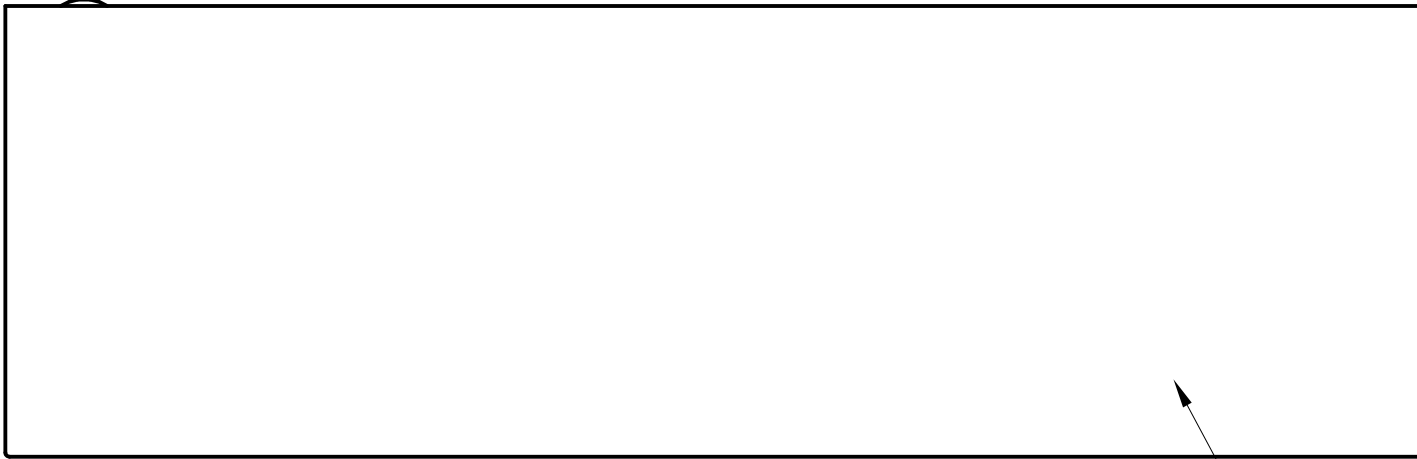


612

ALUMINIUM / ALUMINIO



IRON / CHAPA



ALUMINIUM

30-10-09

REF.	LAMP	BEAM	SOCKET
DM-1100-14-00	QR-111 max.75W	-	G53
DM-1100-60-00	QR-111 max.75W	-	G53
DM-1100-N3-00	QR-111 max.75W	-	G53
DM-1101-14-00	QR-111 max. 2x75W	-	G53
DM-1101-60-00	QR-111 max. 2x75W	-	G53
DM-1101-N3-00	QR-111 max. 2x75W	-	G53
DM-1102-14-00	QR-111 max. 3x75W	-	G53
DM-1102-60-00	QR-111 max. 3x75W	-	G53
DM-1102-N3-00	QR-111 max. 3x75W	-	G53
DM-1103-14-00	QR-111 max. 4x75W	-	G53
DM-1103-60-00	QR-111 max. 4x75W	-	G53
DM-1103-N3-00	QR-111 max. 4x75W	-	G53

DM-1150-14-00	QR-CBC51 max. 50W	-	GU5.3
DM-1150-60-00	QR-CBC51 max. 50W	-	GU5.3
DM-1150-N3-00	QR-CBC51 max. 50W	-	GU5.3
DM-1151-14-00	QR-CBC51 max. 2x50W	-	GU5.3
DM-1151-60-00	QR-CBC51 max. 2x50W	-	GU5.3
DM-1151-N3-00	QR-CBC51 max. 2x50W	-	GU5.3

