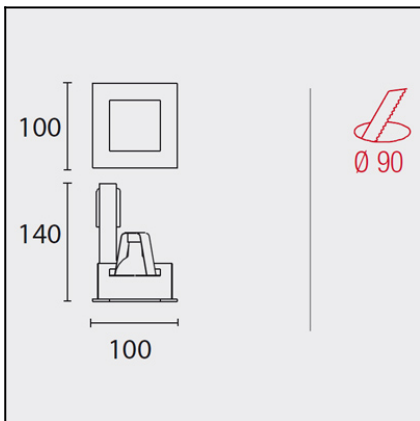




The photograph may not match the reference exactly. Please read the product description to identify the finish.



### DESCRIPTION

Small group of recessed downlights offering high visual comfort. Round or square black lacquered steel body, grey finished metallic surround. Stainless steel mounting springs highly resistant to mechanical deformation. Available for halogen lamps and LED lamps, can be rotated on a 40° vertical angle. Mounting clips included in the unit can be adjusted without the need for additional tools.

### TECHNICAL CHARACTERISTICS

Type:	Downlight
Adjustable $\pm 20^\circ$ on the horizontal axis.	
IP Protection degrees:	IP20
Lampholder:	1 x GU10
Power (W):	GU10 50
Total power consumption (W):	50
Voltage / Frequency:	220-240V/50-60Hz
Warranty (Years):	2
Units per box:	50
Net Weight (Kg):	0.28
EAN:	0,00

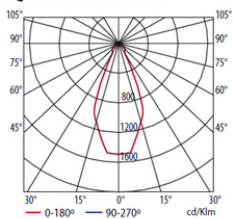


### MATERIALS / FINISHES

**Structure material:** Aluminium  
Steel

**Structure finish:** Grey  
Black

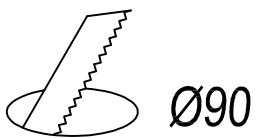
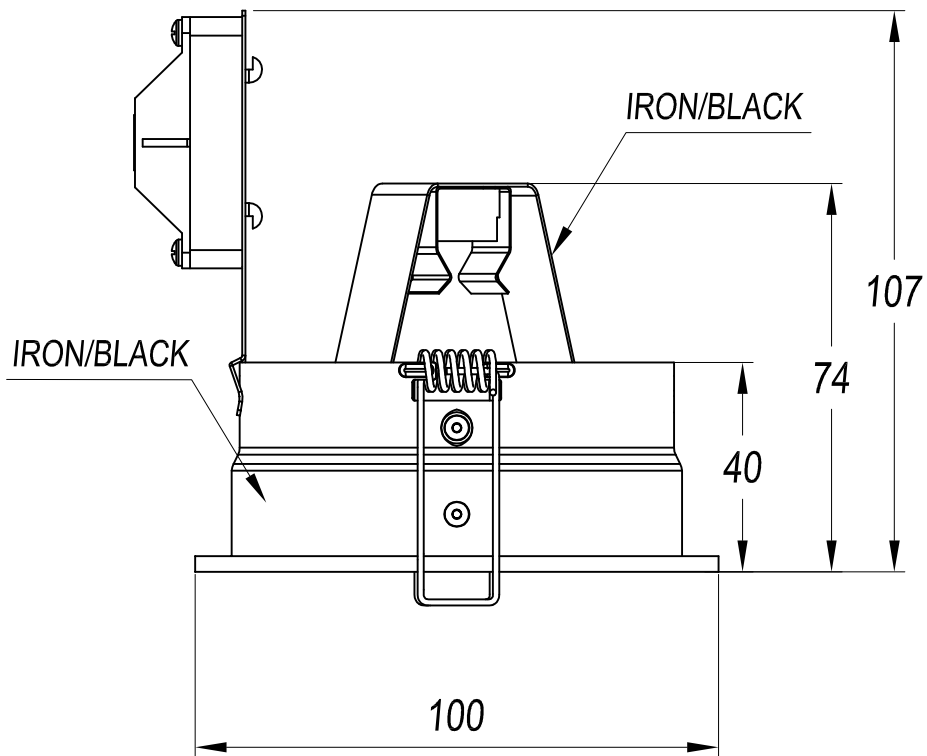
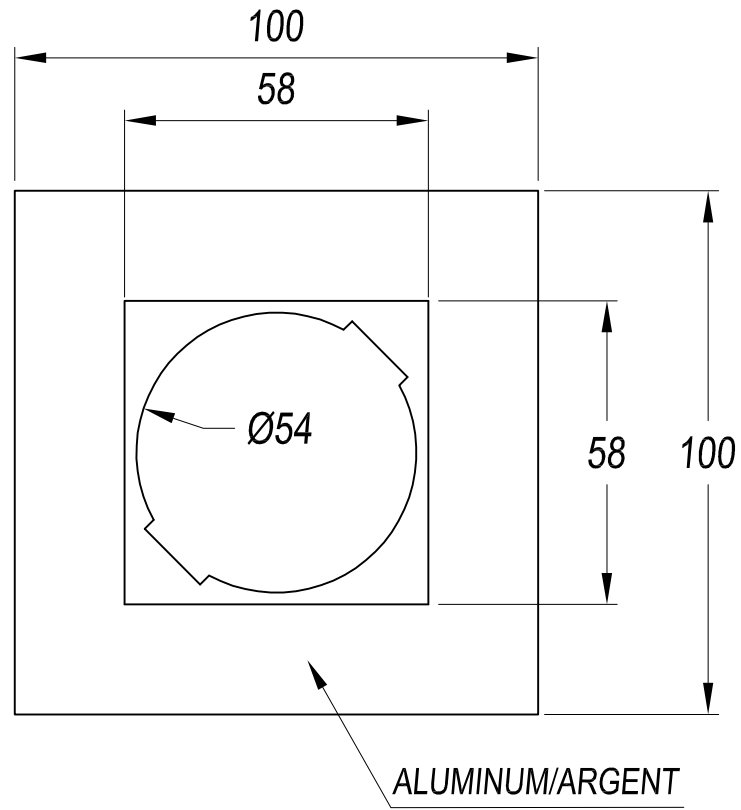
### QPAR-16 GU10



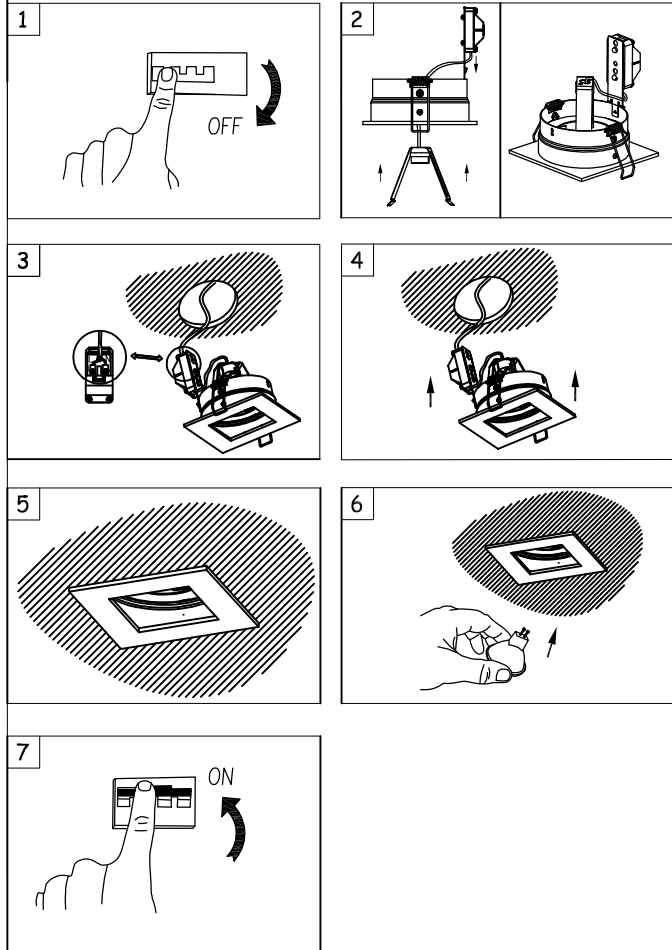
H (m)	Emed (lux)	D (m)
1	733	1.5
2	183	3
3	81	4.48
4	46	5.98

$\eta=100\%$

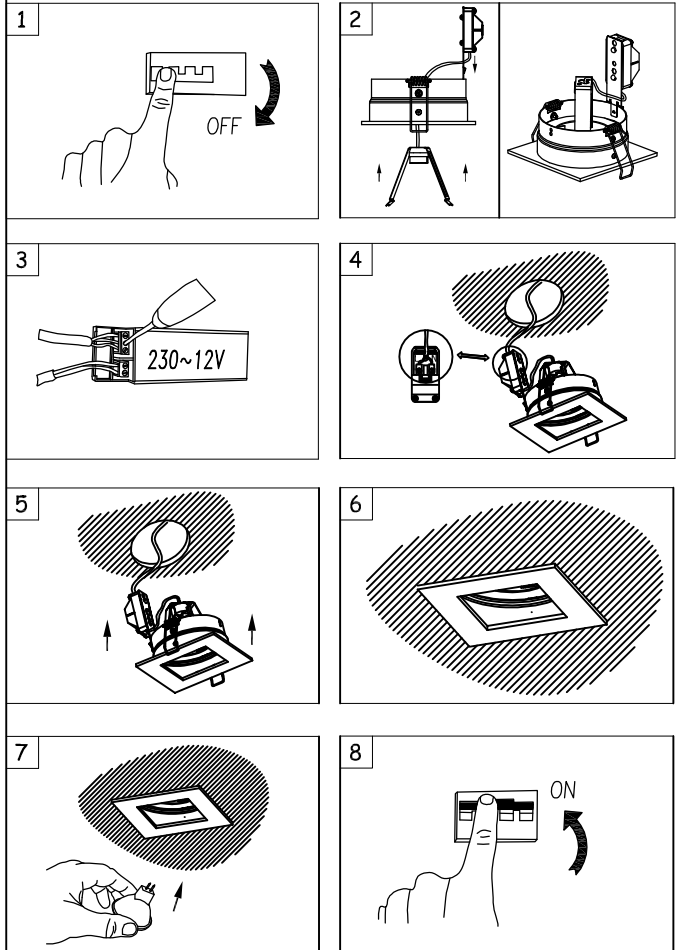
Download photometric file .ldt / .ies



REF.		LAMP	SOCKET		
DM-1106-N3-00	Ø90	GU 10 max.50W	GU10		



REF.		LAMP	SOCKET		
DM-1105-N3-00	Ø90	GU 5.3 max.50W	GU5.3		



Electronic Transformer  
Transformador electrónico



230 / 240V  
50.....60Hz

