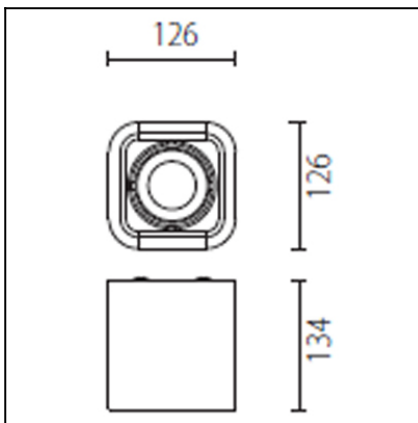


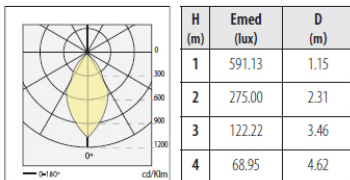
Design by Benedito Design



The photograph may not match the reference exactly. Please read the product description to identify the finish.



n° 08  
QR-CBC51 50W 60°  
η=100 %



## DESCRIPTION

Luminaire for surface or pendant installation (using accessories kit). Produced in extruded aluminium and back casing made of steel. Available for halogen lamps allowing a 80° rotation on the vertical axis. Versions available with 1 or 2 bulbs in the small model and with 1 to 4 bulbs in the large model. With the option of incorporating a pendant installation kit and different coloured filters. Driver included.

## TECHNICAL CHARACTERISTICS

Type: Ceiling fixture

Adjustable  $\pm 40^\circ$  around the two axis forming the horizontal plane.

IP Protection degrees: IP23

Lampholder: 1 x GU5.3

Power (W): GU5.3 50

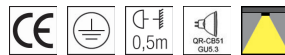
Voltage / Frequency: 220-240V/50-60Hz

Warranty (Years): 2

Units per box: 12

Net Weight (Kg): 1.44

EAN: 8435111061848,00



## MATERIALS / FINISHES

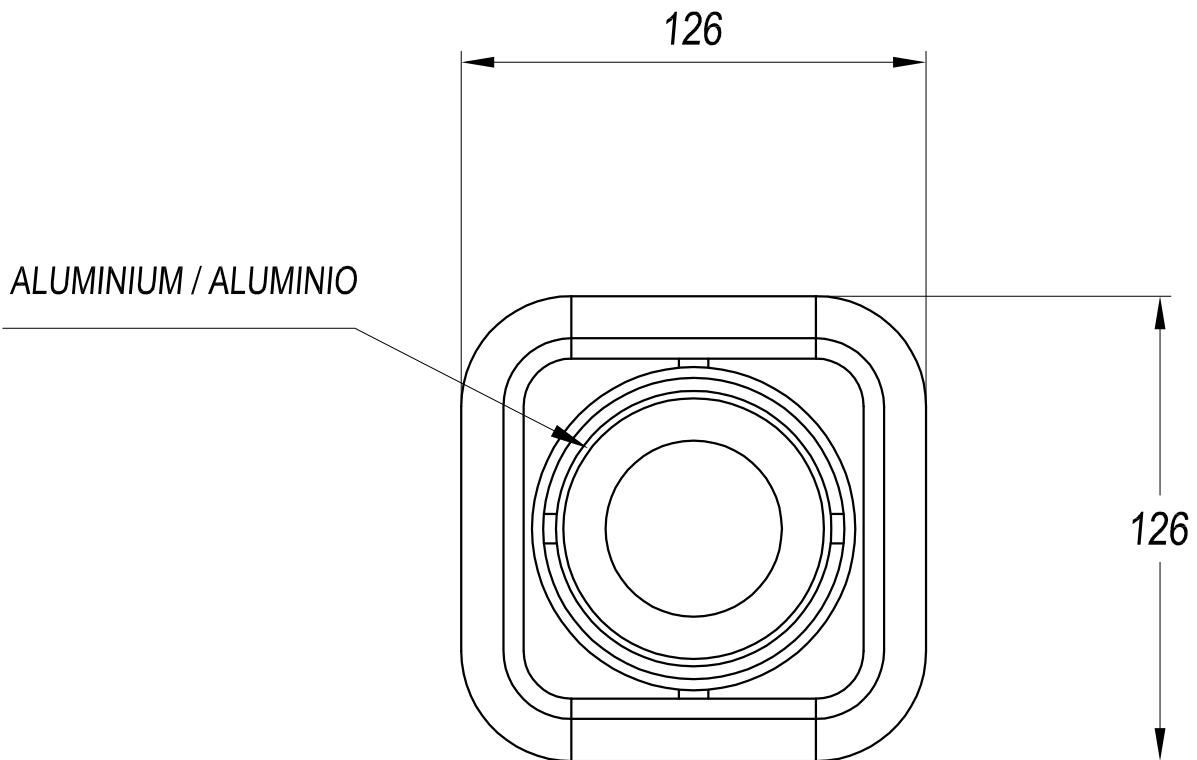
**Structure material:** Aluminium  
Steel

**Structure finish:** Grey  
Black

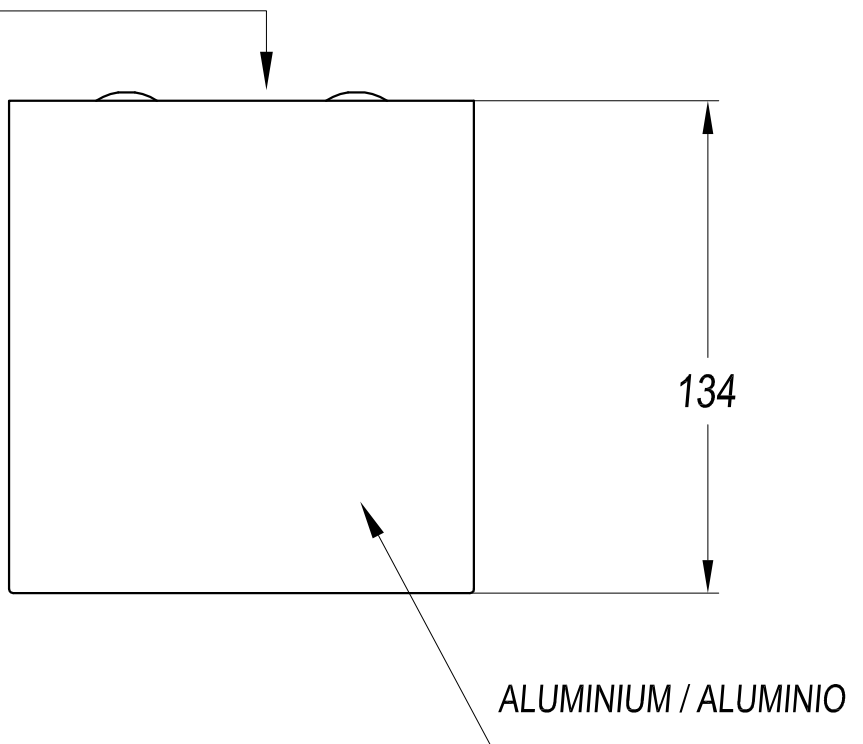
## GEAR

Gear included: Yes, electronic

Download photometric file .ldt /.ies



IRON / CHAPA



REF.	LAMP	BEAM	SOCKET
DM-1100-14-00	QR-111 max.75W	-	G53
DM-1100-60-00	QR-111 max.75W	-	G53
DM-1100-N3-00	QR-111 max.75W	-	G53
DM-1101-14-00	QR-111 max. 2x75W	-	G53
DM-1101-60-00	QR-111 max. 2x75W	-	G53
DM-1101-N3-00	QR-111 max. 2x75W	-	G53
DM-1102-14-00	QR-111 max. 3x75W	-	G53
DM-1102-60-00	QR-111 max. 3x75W	-	G53
DM-1102-N3-00	QR-111 max. 3x75W	-	G53
DM-1103-14-00	QR-111 max. 4x75W	-	G53
DM-1103-60-00	QR-111 max. 4x75W	-	G53
DM-1103-N3-00	QR-111 max. 4x75W	-	G53

DM-1150-14-00	QR-CBC51 max. 50W	-	GU5.3
DM-1150-60-00	QR-CBC51 max. 50W	-	GU5.3
DM-1150-N3-00	QR-CBC51 max. 50W	-	GU5.3
DM-1151-14-00	QR-CBC51 max. 2x50W	-	GU5.3
DM-1151-60-00	QR-CBC51 max. 2x50W	-	GU5.3
DM-1151-N3-00	QR-CBC51 max. 2x50W	-	GU5.3

