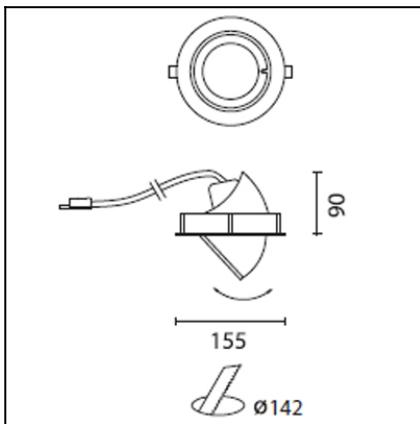


CARDEX E

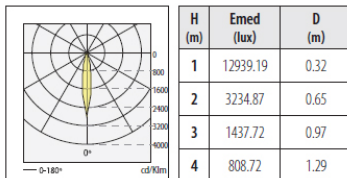
DN-0269-14-00



The photograph may not match the reference exactly. Please read the product description to identify the finish.



n° 40
CARDEX E HIT-TC 70W
 $\eta=59.900\%$



TECHNICAL CHARACTERISTICS

Type:	Downlight
Adjustable from 0° to 40° on the horizontal axis	
Adjustable 355° on the vertical axis.2	
IP Protection degrees:	IP43
Lampholder:	1 x G8.5
Power (W):	G8.5 70
Angle Óptiques:	55°
Voltage / Frequency:	HIT
Warranty (Years):	2
Units per box:	24
Net Weight (Kg):	0.615
EAN:	8435111038314,00



MATERIALS / FINISHES

Structure material: Injected aluminium	Diffuser material: Tempered glass
Structure finish: Baked-on grey paint	Diffuser finish: Transparent

GEAR

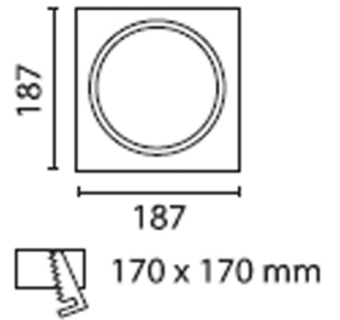
Necessary equipment not included. For more information check website / catalogs / sales organization.

Download photometric file .ldt / .ies

ACT-0065-14-00

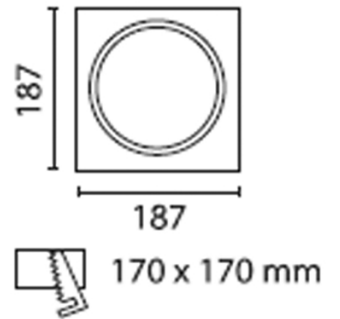
Mounting decorative plate

Structure material: Steel
Structure finish: White


ACT-0065-N3-00

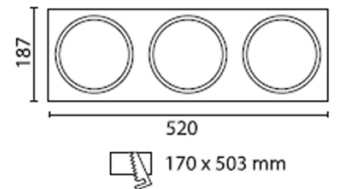
Mounting decorative plate

Structure material: Steel
Structure finish: Grey


ACT-0067-14-00

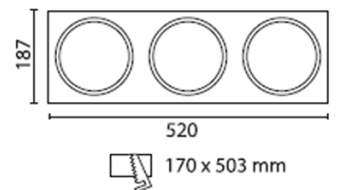
Mounting decorative plate

Structure material: Steel
Structure finish: White


ACT-0067-N3-00

Mounting decorative plate

Structure material: Steel
Structure finish: Grey

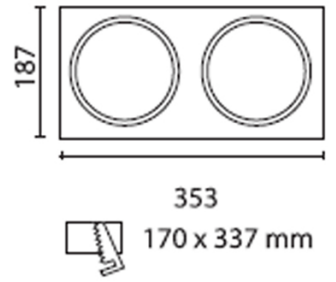


ACT-0066-14-00



Mounting decorative plate

Structure material: Steel
Structure finish: White

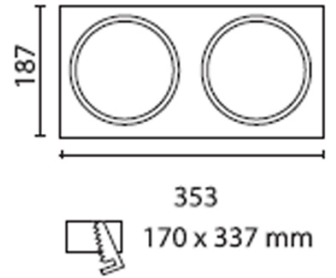


ACT-0066-N3-00



Mounting decorative plate

Structure material: Steel
Structure finish: Grey

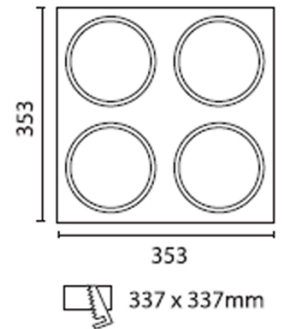


ACT-0068-14-00



Mounting decorative plate

Structure material: Steel
Structure finish: White

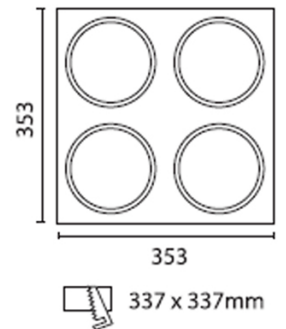


ACT-0068-N3-00



Mounting decorative plate

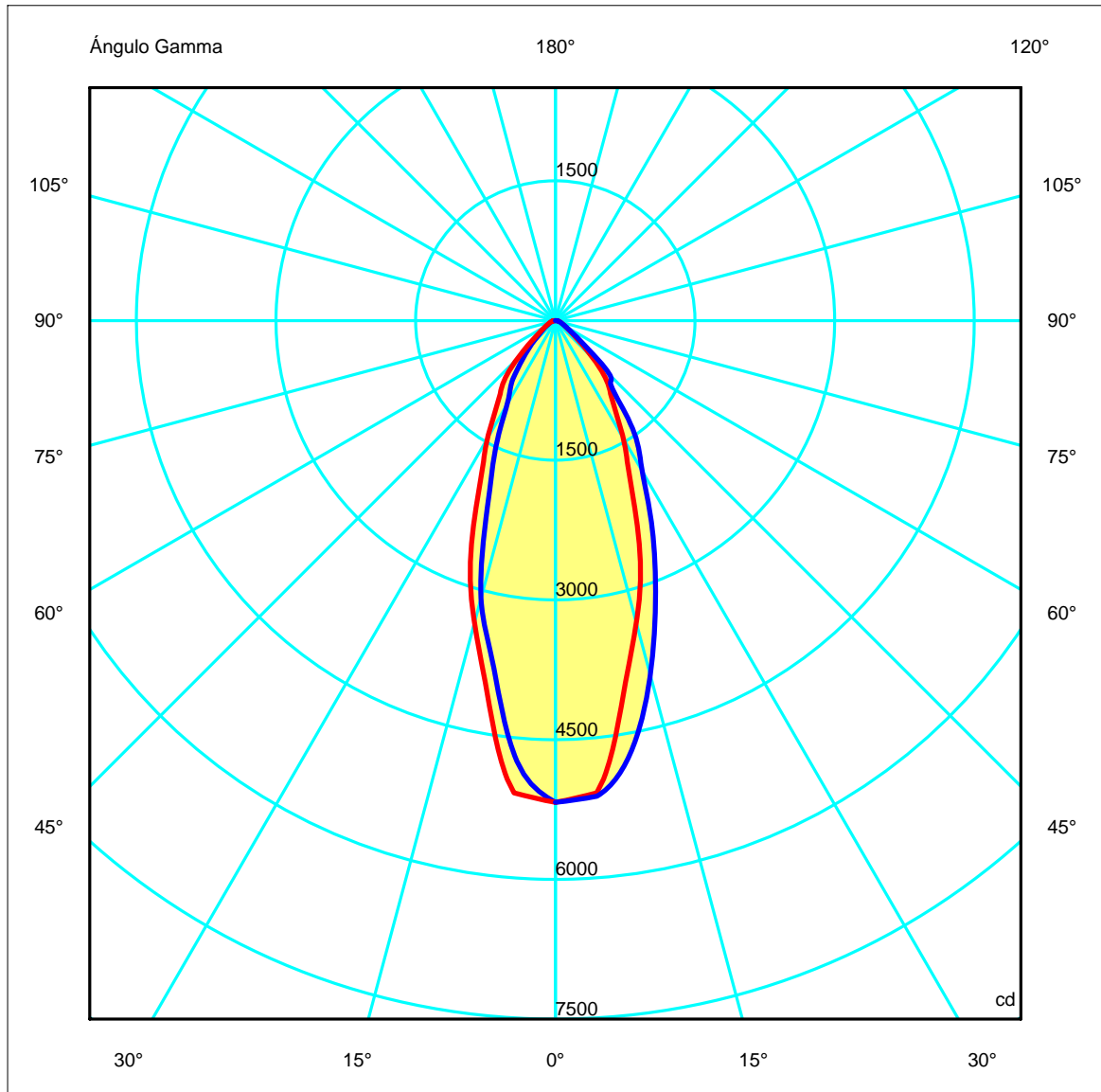
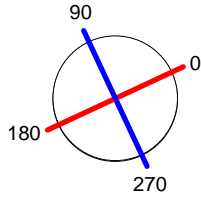
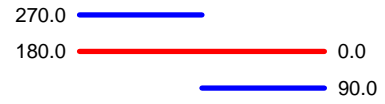
Structure material: Steel
Structure finish: Grey

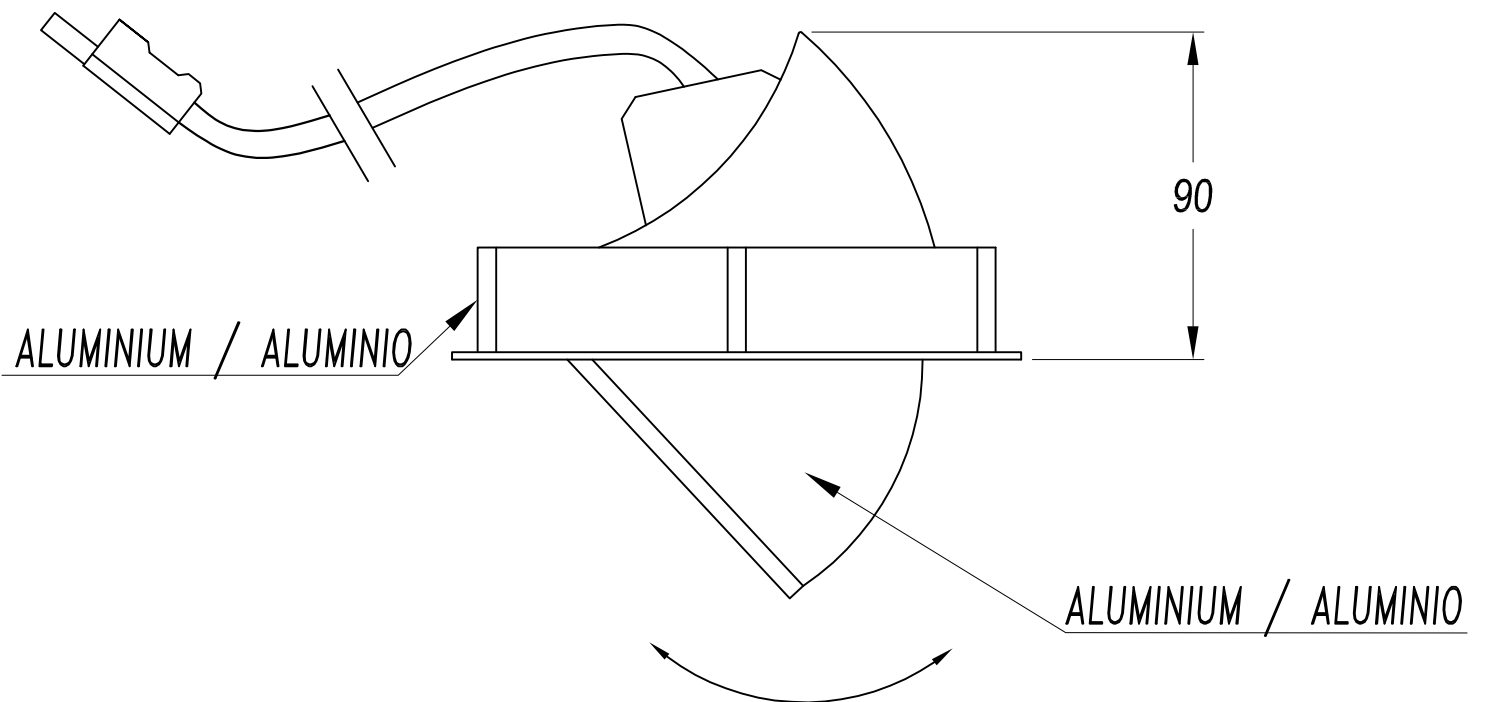
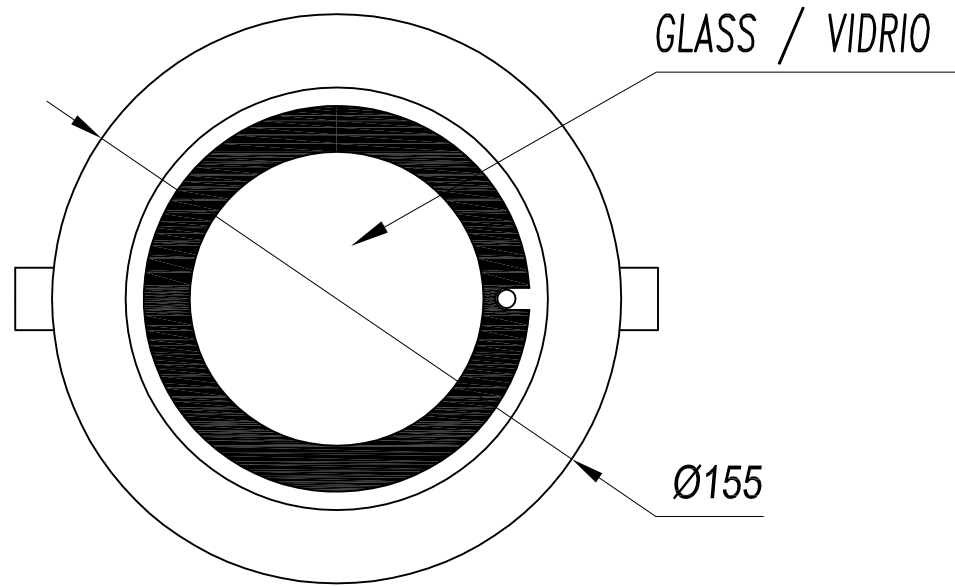


Luminaria		Ensayo		Lámpara	
Código	DN-0269-14-00	Código	DN-0269-14-00	Código	CDM-TC70W/830
Nombre	Downlight orient 70W CDM-TC	Nombre	Downlight orient 70W CDM-TC	Número	1
Familia	- LEDS-C4	Fecha	27-10-2009	Posición	Universal
Eficiencia	58.00%	Sist. de Coorden.	C-G	Flujo Total	6400.00 lm
Valor Máximo	5171.73 cd	Posición	C=270.00 G=0.00	Sim. en los planos	270-90

Diam=155mm Incasso

Semiplanos C



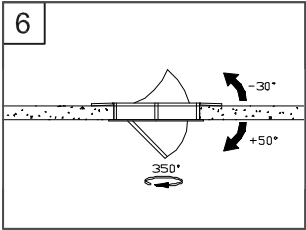
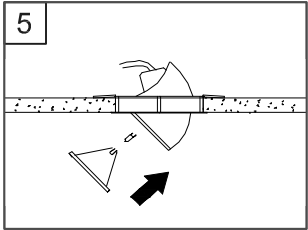
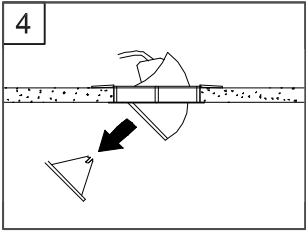
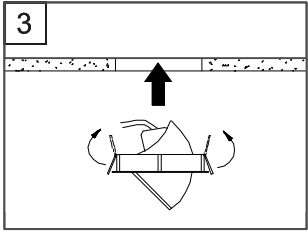
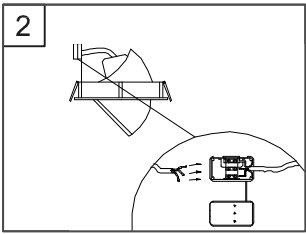




LEDS-C4

Afores s/n
25750 Torà-Lleida-SPAIN
Telf.34 973 46 81 00
Fax.34 973 46 81 06
www.leds-c4.com
e-mail: leds-c4@leds-c4.com

Nº 26



	REF.	Ø	LAMP	SOCKET
①	DN-0268-14-00	Ø 142	QT-12 max. 100W	GY6.35
①	DN-0268-N3-00	Ø 142	QT-12 max. 100W	GY6.35
②	DN-0269-14-00	Ø 142	HIT-TC max. 70W	G8.5
②	DN-0269-N3-00	Ø 142	HIT-TC max. 70W	G8.5

