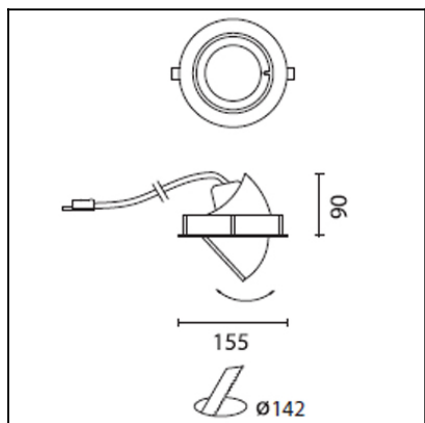


CARDEX E

DN-0269-N3-00



The photograph may not match the reference exactly. Please read the product description to identify the finish.



DESCRIPTION

Round recessed downlight with body and external surround produced in cast aluminium and finish in epoxy paint. Available with discharge lamp and aluminium reflector and a beam angle of 85°. Its gimbal may be removed or folded back (40°) allowing a 355° horizontal rotation. Finished in white or grey. Option of using different decorative mounting units to form groups of 1 to 4 lamps.

TECHNICAL CHARACTERISTICS

Type:	Downlight
Adjustable 355° on the vertical axis.2	
Adjustable from 0° to 40° on the horizontal axis	
IP Protection degrees:	IP43
Lampholder:	1 x G8.5
Power (W):	G8.5 70
Angle Optiques:	55°
Voltage / Frequency:	HIT
Warranty (Years):	2
Units per box:	24
Net Weight (Kg):	0.615
EAN:	8435111038321,00

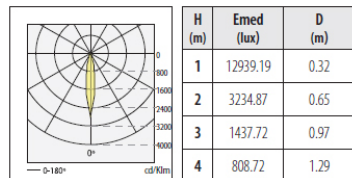


MATERIALS / FINISHES

Structure material: Injected aluminium
Structure finish: Baked-on grey paint

Diffuser material: Tempered glass
Diffuser finish: Transparent

n° 40
 CARDEX E HIT-TC 70W
 $\eta=59.900\%$



GEAR

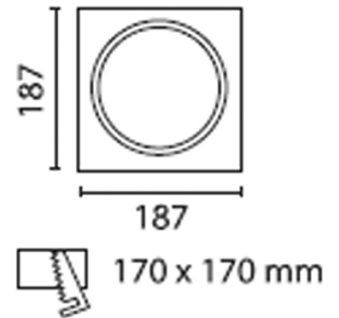
Necessary equipment not included. For more information check website / catalogs / sales organization.

Download photometric file .ldt / .ies

ACT-0065-14-00

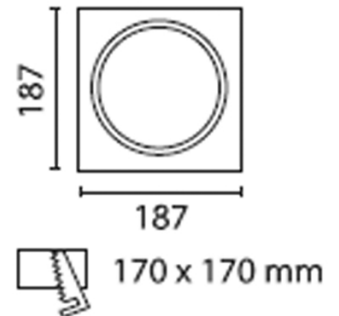
Mounting decorative plate

Structure material: Steel
Structure finish: White


ACT-0065-N3-00

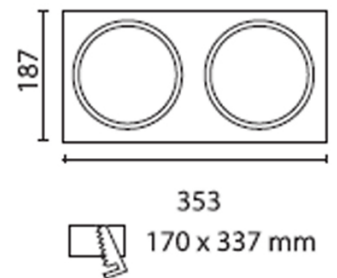
Mounting decorative plate

Structure material: Steel
Structure finish: Grey


ACT-0066-14-00

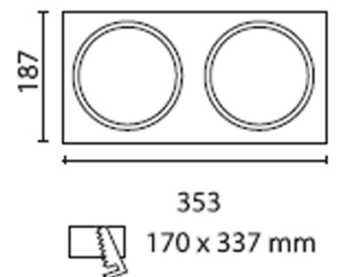
Mounting decorative plate

Structure material: Steel
Structure finish: White


ACT-0066-N3-00

Mounting decorative plate

Structure material: Steel
Structure finish: Grey

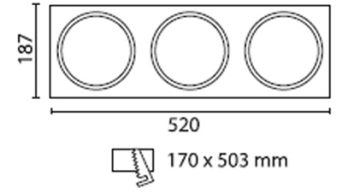


ACT-0067-14-00



Mounting decorative plate

Structure material: Steel
Structure finish: White

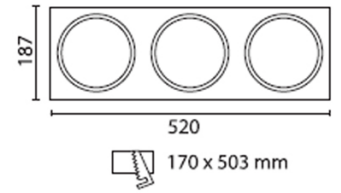


ACT-0067-N3-00



Mounting decorative plate

Structure material: Steel
Structure finish: Grey

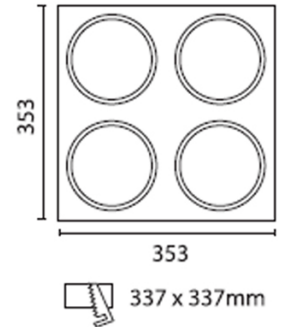


ACT-0068-14-00



Mounting decorative plate

Structure material: Steel
Structure finish: White

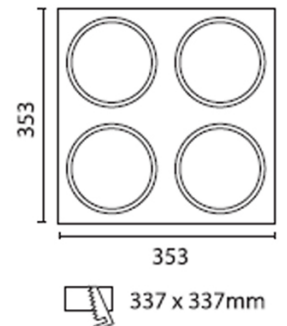


ACT-0068-N3-00



Mounting decorative plate

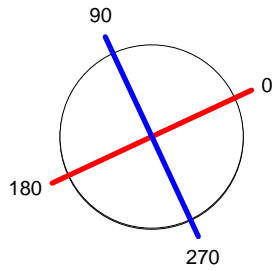
Structure material: Steel
Structure finish: Grey



Luminaria		Ensayo		Lámpara	
Código	DN-0269-N3-00	Código	DN-0269-N3-00	Código	CDM-TC70W/830
Nombre	Downlight orient. 70W HIT G8.5	Nombre	Downlight orient 70W CDM-TC	Número	1
Familia	- LEDS-C4	Fecha	06-05-2011	Posición	Universal
Rendimiento	56.89%	Sist. de Coorden.	C-G	Flujo Total	6400.00 lm
Valor Máximo	3690.14 cd	Posición	C=0.00 G=0.00	Bisimétrico	
Luminaria Redonda Empotrada	Diam.	152 mm	Altura	2 mm	
Área Luminosa Redonda	Diam.	78 mm	Altura	0 mm	
Área Luminosa Horizontal	0.004778 m2		Área Emisión sobre Pl. 180°	0.000000 m2	
Área Emisión sobre Pl. 0°	0.000000 m2		Área Emisión sobre Pl. 270°	0.000000 m2	
Área Emisión sobre Pl. 90°	0.000000 m2		Área de deslumbramiento a 76°	0.001156 m2	
Tipo de Simetría	Bisimétrico	Máximo Ángulo Gamma	Flujo de Ensayo	90	
Distancia de Ensayo	6.44			6500.00 lm	
Operador	Asselum T2	Voltaje de la Fuente	Corriente de la Fuente	230.00 V	
Temperatura	21.00 °C	Corriente de la Fuente	Fotocélula	PRC	
Humedad	50.00 %				
Notas					

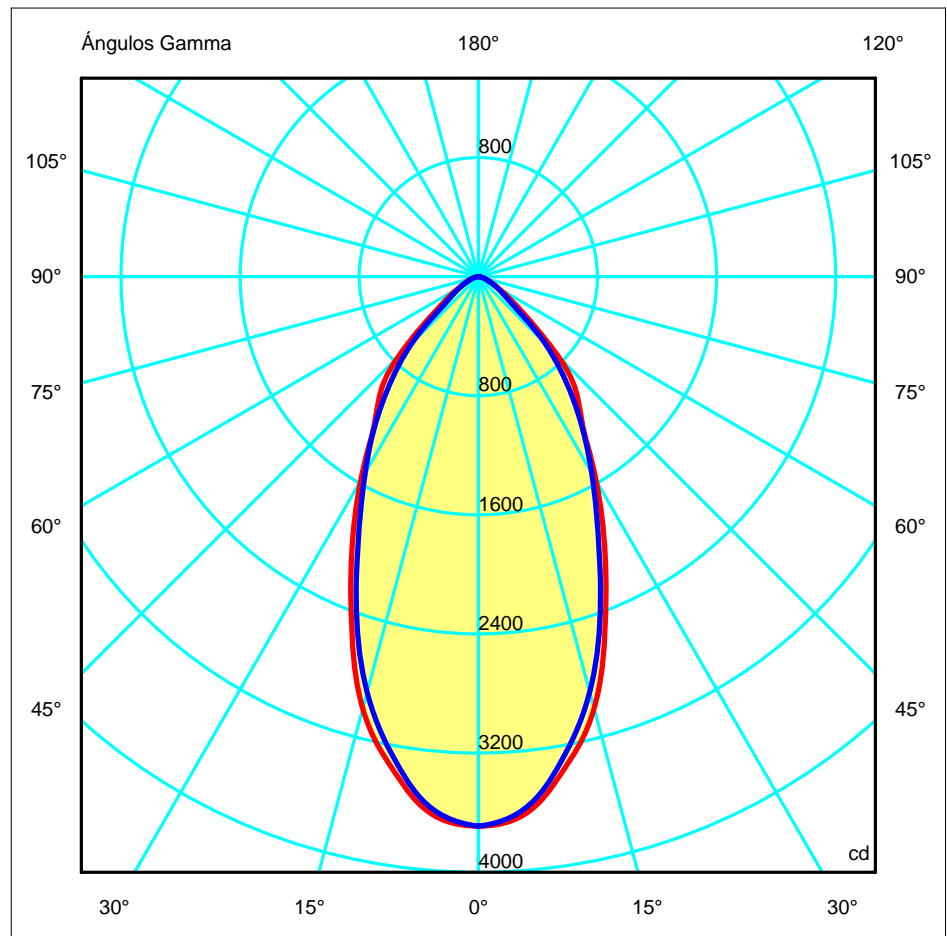
Lámparas de la Luminaria					
Familia	Código	Nombre	Flujo/lm	Pot.W	Cant.
PHILIPS 2005 ILCOS MD,MT,ME,MC	CDM-TC70W/830	MASTER col CDM-TC 70W/830	6400.00	71.00	1
C.I.E.	79 96 99 100 57	D DIN 5040			
F UTE	0.57 B	B NBN		A60	BZ 1

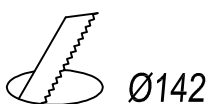
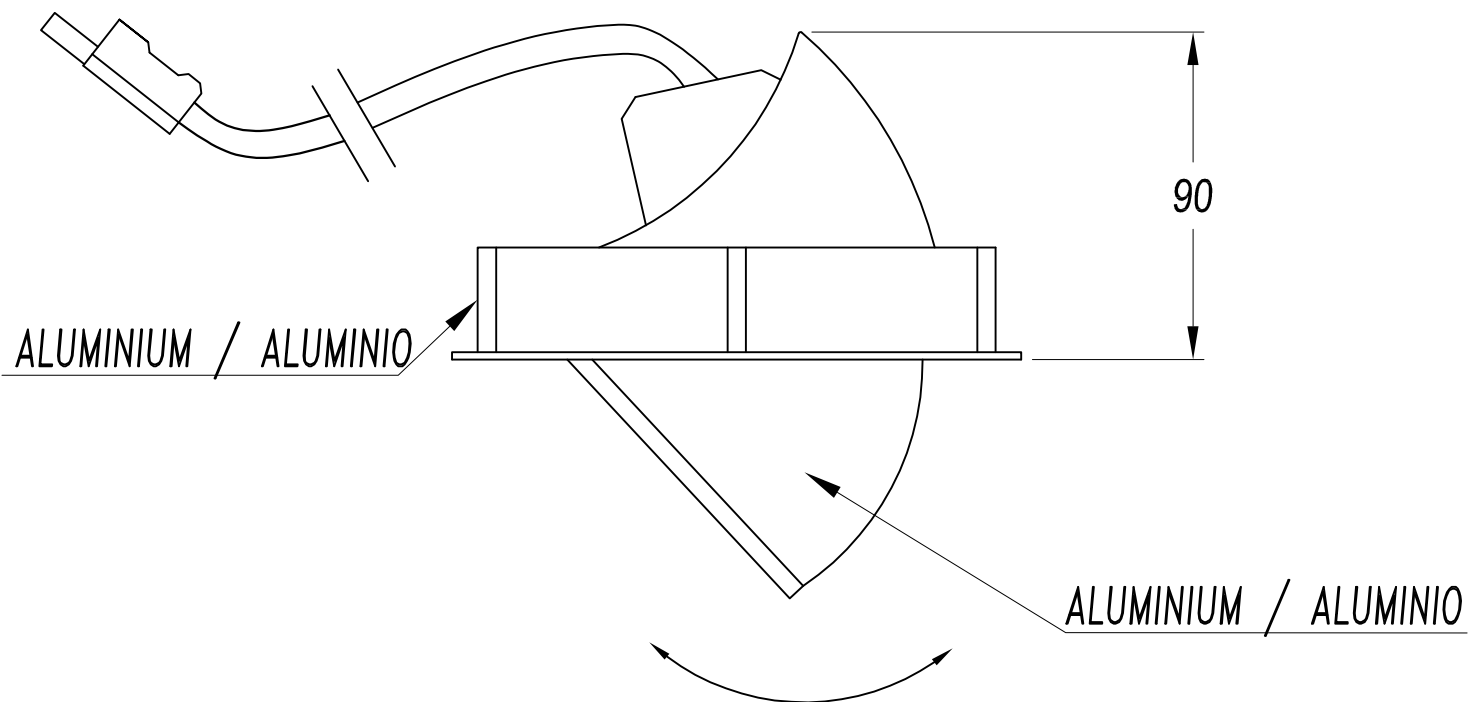
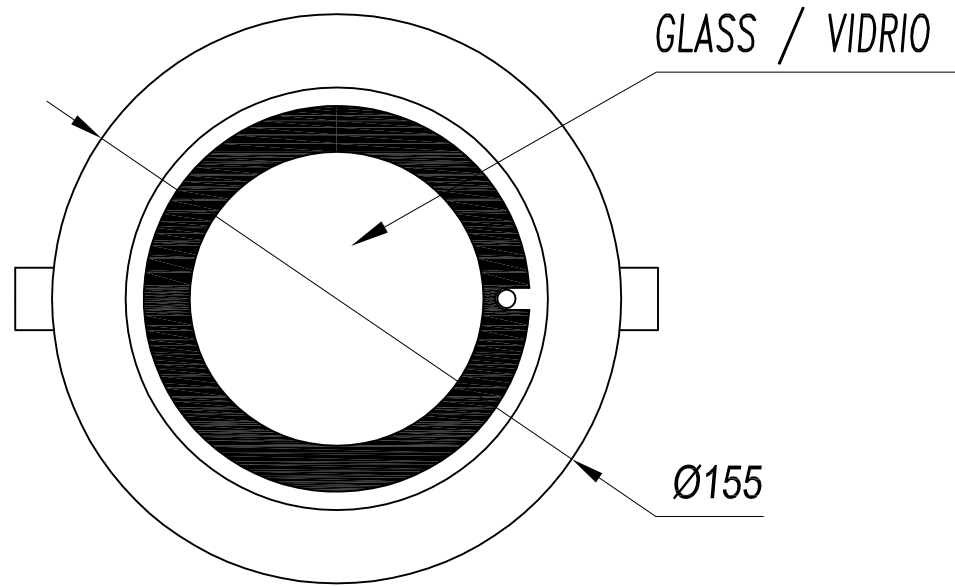
Diam=152mm Incasso



Semiplanos C
 180.0 — 0.0
 270.0 — 90.0

ULOR 0.00 %
 DLOR 56.89 %
 RN 0.00 %



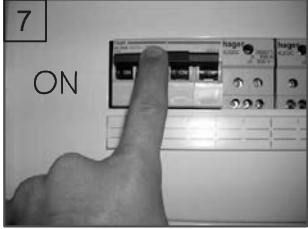
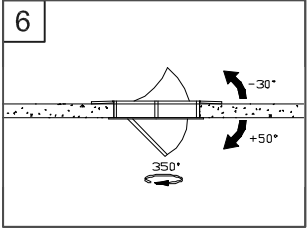
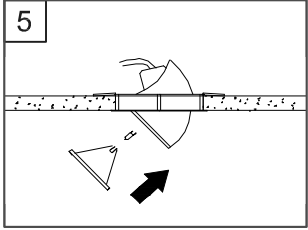
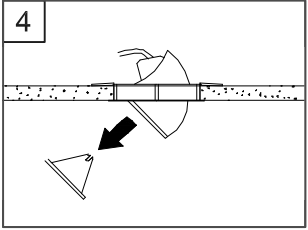
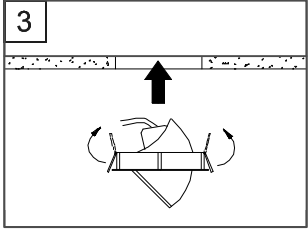
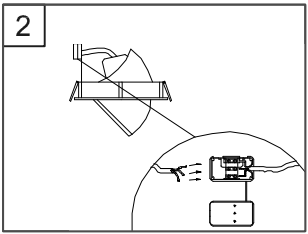




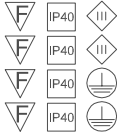
LEDS-C4

Afores s/n
25750 Torà-Lleida-SPAIN
Telf.34 973 46 81 00
Fax.34 973 46 81 06
www.leds-c4.com
e-mail: leds-c4@leds-c4.com

Nº 26



	REF.	Ø	LAMP	SOCKET
①	DN-0268-14-00	Ø 142	QT-12 max. 100W	GY6.35
①	DN-0268-N3-00	Ø 142	QT-12 max. 100W	GY6.35
②	DN-0269-14-00	Ø 142	HIT-TC max. 70W	G8.5
②	DN-0269-N3-00	Ø 142	HIT-TC max. 70W	G8.5



- ①
- ①
- ②
- ②