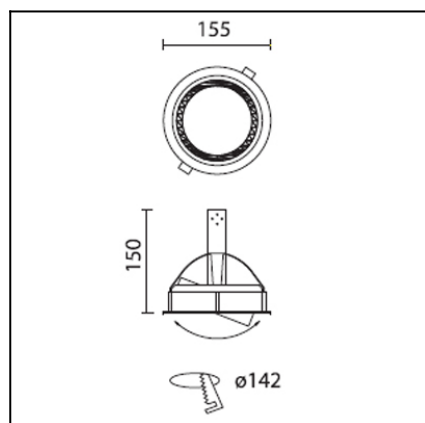
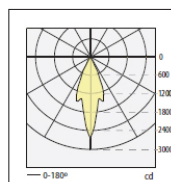




The photograph may not match the reference exactly. Please read the product description to identify the finish.



n° 11
QR-111 60W 45°
η=100 %



H (m)	Emed (lux)	D (m)
1	1623.45	0.83
2	405.86	1.66
3	190.38	2.49
4	101.47	3.32

DESCRIPTION

Round recessed downlight with body and external surround made of cast aluminium and finish in epoxy paint. Includes a cardan joint allowing a rotation of 40° in all directions using a single hoop. Available for halogen lamps, discharge lamps (with high efficiency reflectors and angles of 10°, 24° and 45°) and LED lamps. Finish in white or grey. Option of using different decorative mounting units to form groups of 1 to 4 lamps.

TECHNICAL CHARACTERISTICS

Type:	Downlight
Adjustable ±40° around the two axis forming the horizontal plane.	
IP Protection degrees:	IP23
Lampholder:	1 x G53
Power (W):	G53 100
Voltage / Frequency:	12V/50Hz
Warranty (Years):	2
Units per box:	24
Net Weight (Kg):	0.435
EAN:	8435111038338,00



MATERIALS / FINISHES

Structure material: Injected aluminium

Diffuser material: Tempered glass

Structure finish: White

Diffuser finish: Transparent

GEAR

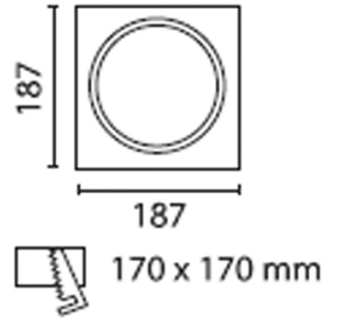
Necessary equipment not included. For more information check website / catalogs / sales organization.

Download photometric file .ldt / .ies

ACT-0065-14-00

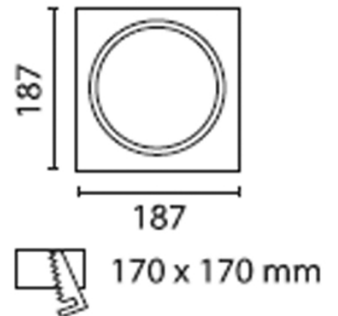
Mounting decorative plate

Structure material: Steel
Structure finish: White


ACT-0065-N3-00

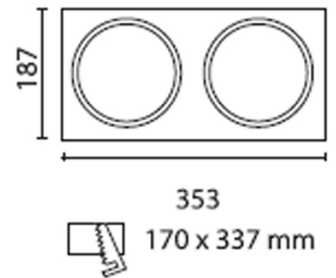
Mounting decorative plate

Structure material: Steel
Structure finish: Grey


ACT-0066-14-00

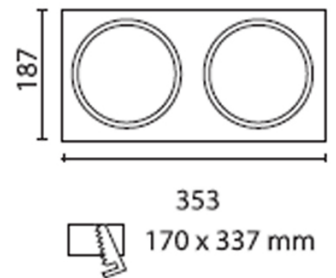
Mounting decorative plate

Structure material: Steel
Structure finish: White


ACT-0066-N3-00

Mounting decorative plate

Structure material: Steel
Structure finish: Grey

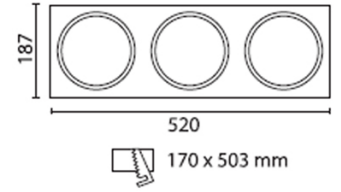


ACT-0067-14-00



Mounting decorative plate

Structure material: Steel
Structure finish: White

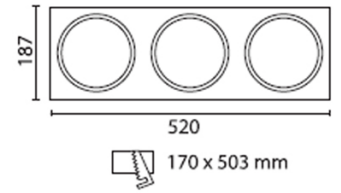


ACT-0067-N3-00



Mounting decorative plate

Structure material: Steel
Structure finish: Grey

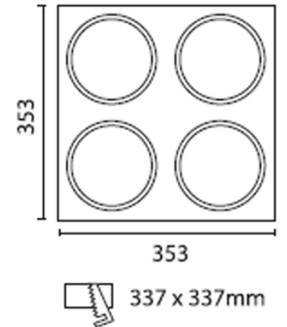


ACT-0068-14-00



Mounting decorative plate

Structure material: Steel
Structure finish: White

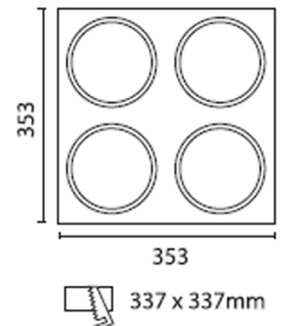


ACT-0068-N3-00

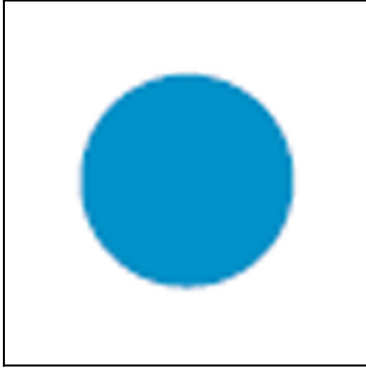


Mounting decorative plate

Structure material: Steel
Structure finish: Grey



ACT-9131-08-00



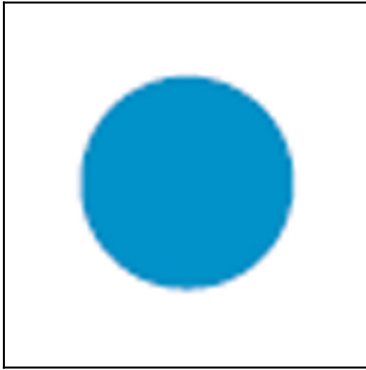
Colour filter for QR111 lamp

Diffuser material:

Glass



ACT-9131-11-00



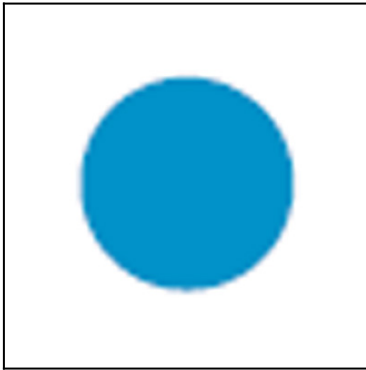
Colour filter for QR111 lamp

Diffuser material:

Glass



ACT-9131-24-00



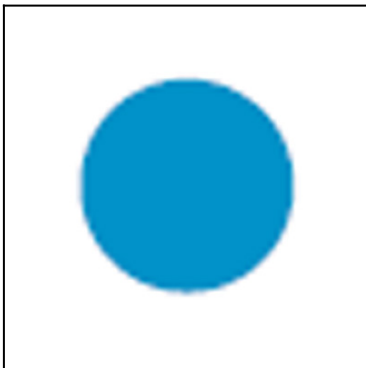
Colour filter for QR111 lamp

Diffuser material:

Glass



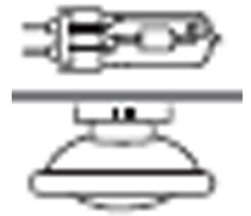
ACT-9131-25-00

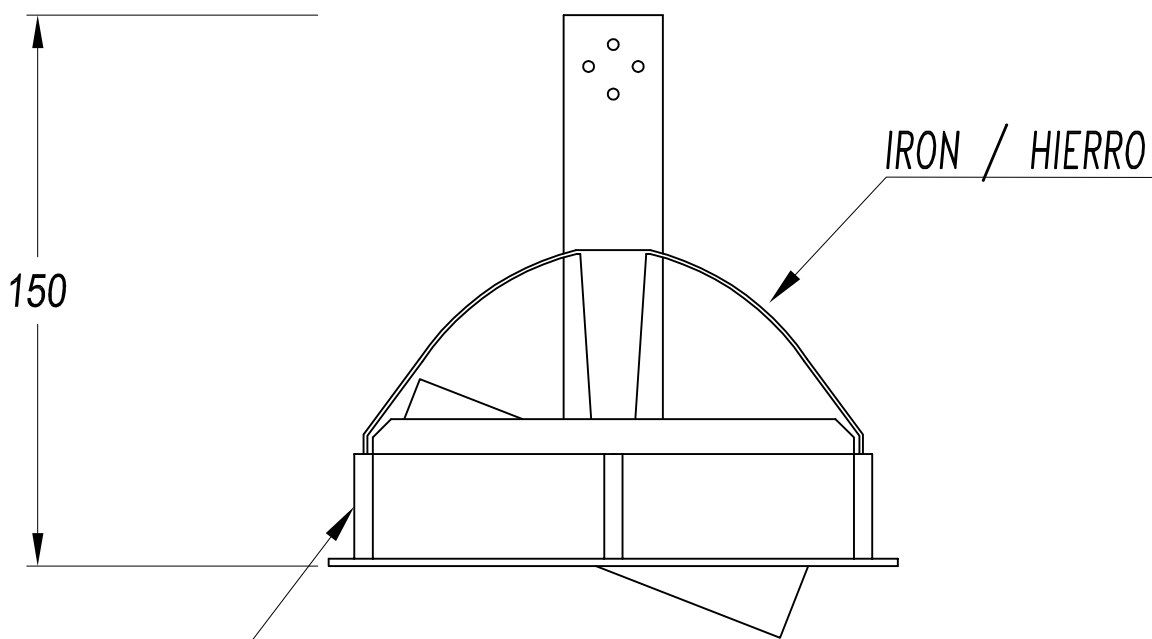
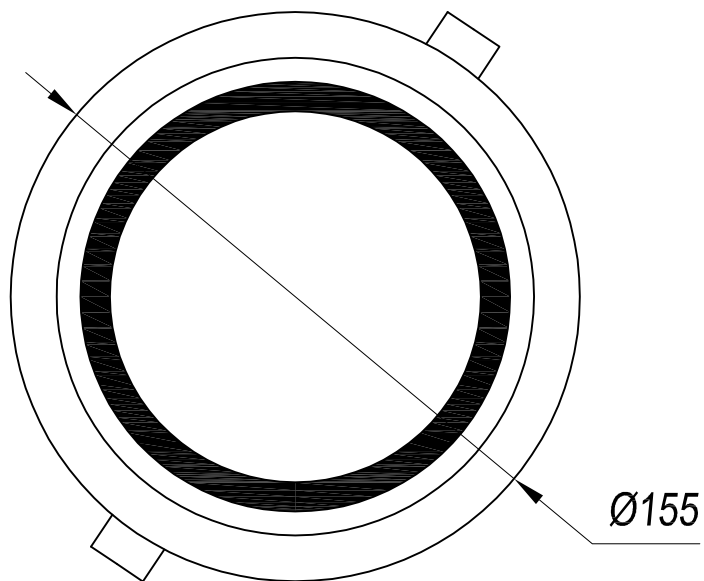


Colour filter for QR111 lamp

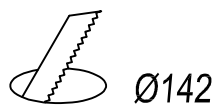
Diffuser material:

Glass





ALUMINIUM / ALUMINIO

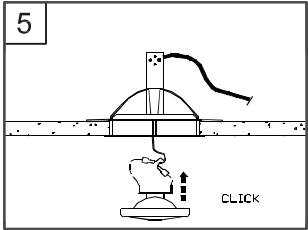
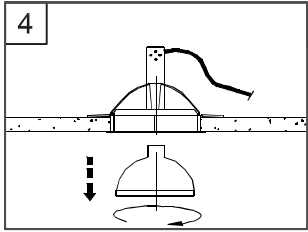
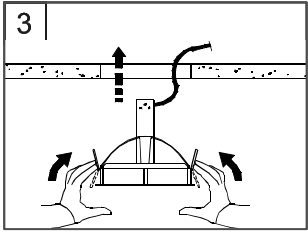
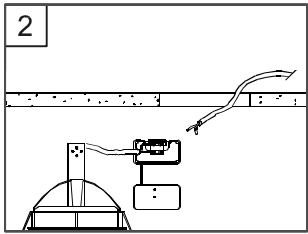





LEDs-C4

Afores s/n
25750 Torà-Lleida-SPAIN
Telf.34 973 46 81 00
Fax.34 973 46 81 06
www.leds-c4.com
e-mail: leds-c4@leds-c4.com

Nº 27



REF.		LAMP	SOCKET
DN-0270-14-00	ø 142	QR-111 max. 100W	G53
DN-0270-N3-00	ø 142	QR-111 max. 100W	G53

