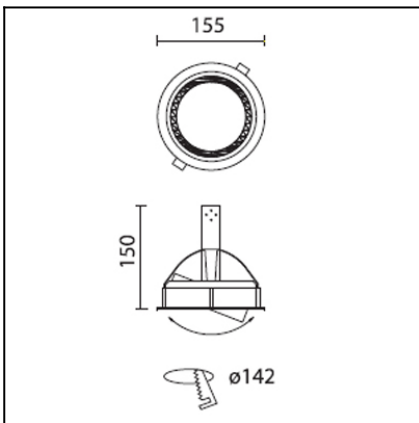


CARDEX C

DN-0273-N3-00



The photograph may not match the reference exactly. Please read the product description to identify the finish.



DESCRIPTION

Round recessed downlight with body and external surround made of cast aluminium and finish in epoxy paint. Includes a cardan joint allowing a rotation of 40° in all directions using a single hoop. Available for halogen lamps, discharge lamps (with high efficiency reflectors and angles of 10°, 24° and 45°) and LED lamps. Finish in white or grey. Option of using different decorative mounting units to form groups of 1 to 4 lamps.

TECHNICAL CHARACTERISTICS

Type:	Downlight
Adjustable ±40° around the two axis forming the horizontal plane.	
IP Protection degrees:	IP20
Lampholder:	1 x G12
Power (W):	G12 150
Angle Optiques:	45°
Voltage / Frequency:	HIT
Warranty (Years):	2
Units per box:	12
Net Weight (Kg):	0.575
EAN:	8435111046227,00

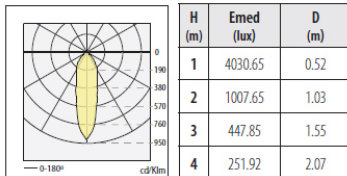


MATERIALS / FINISHES

Structure material: Injected aluminium
Structure finish: Baked-on grey paint

Diffuser material: Tempered glass
Diffuser finish: Transparent

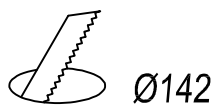
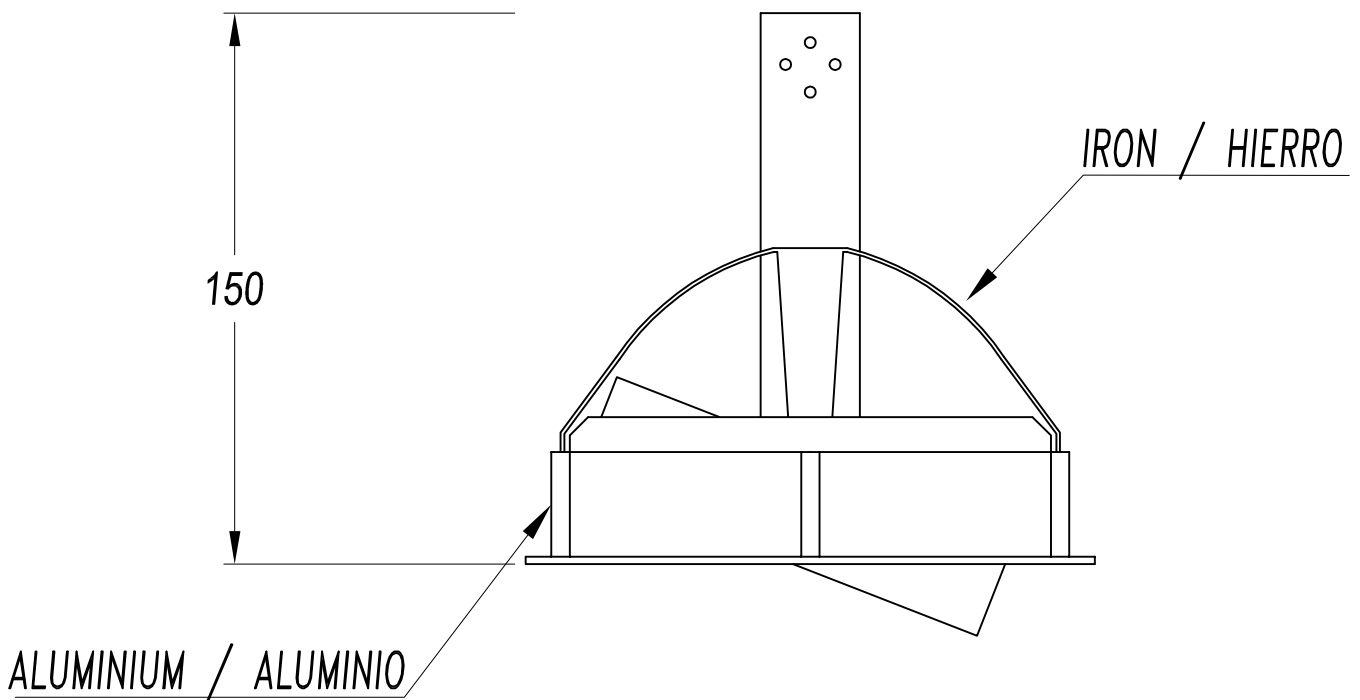
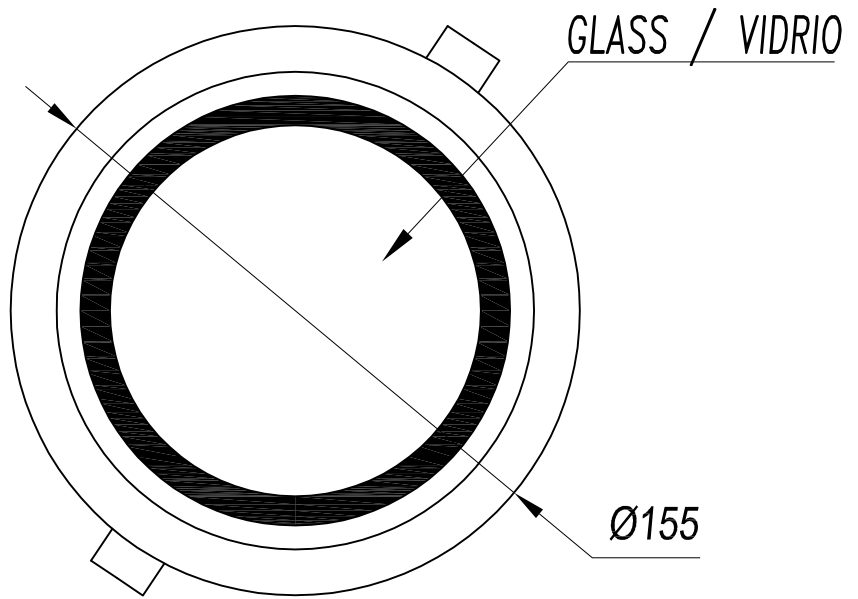
n° 42
 CARDEX C HIT-T 70W 45°
 η= 59.400 %



GEAR

Necessary equipment not included. For more information check website / catalogs / sales organization.

Download photometric file .ldt / .ies

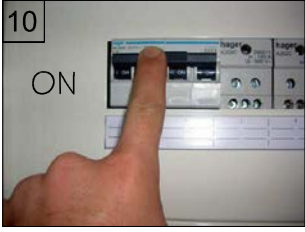
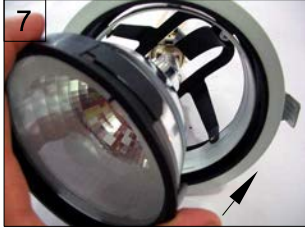
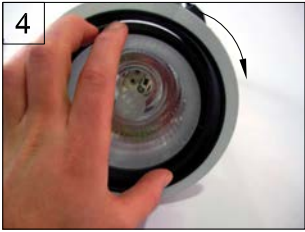
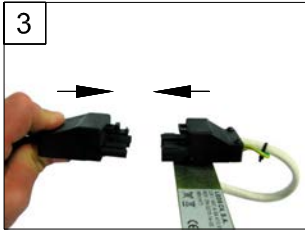




LEDS-C4

Afores s/n
25750 Torà-Lleida-SPAIN
Telf.34 973 46 81 00
Fax.34 973 46 81 06
www.leds-c4.com
e-mail: leds-c4@leds-c4.com

Nº 28



REF.		LAMP	SOCKET
DN-0273-14-00	ø 142	HIT-T max. 150W	G12
DN-0273-N3-00	ø 142	HIT-T max. 150W	G12
DN-0274-14-00	ø 142	HIT-T max. 150W	G12
DN-0274-N3-00	ø 142	HIT-T max. 150W	G12

