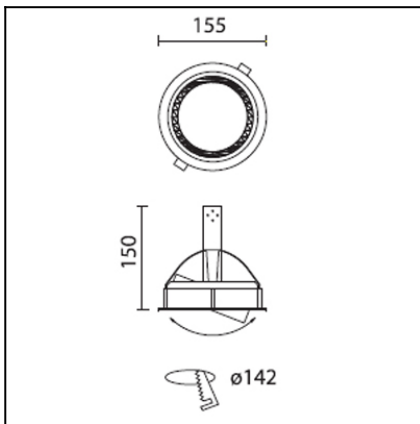




The photograph may not match the reference exactly. Please read the product description to identify the finish.



TECHNICAL CHARACTERISTICS

Type:	Downlight
Adjustable $\pm 40^\circ$ around the two axis forming the horizontal plane.	
IP Protection degrees:	IP20
Lampholder:	1 x G12
Power (W):	G12 150
Angle Óptiques:	10°
Voltage / Frequency:	HIT
Warranty (Years):	2
Units per box:	12
Net Weight (Kg):	0.585
EAN:	8435111047019,00



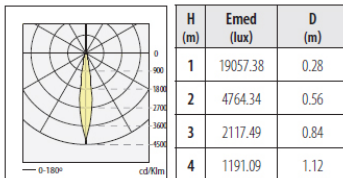
MATERIALS / FINISHES

Structure material:	Injected aluminium	Diffuser material:	Tempered glass
Structure finish:	White	Diffuser finish:	Transparent

GEAR

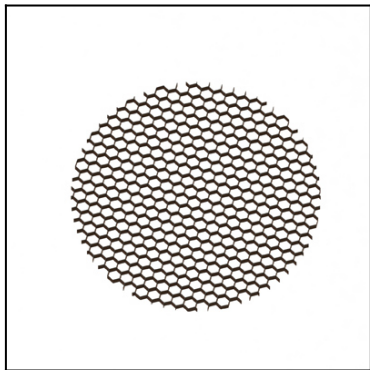
Necessary equipment not included. For more information check website / catalogs / sales organization.

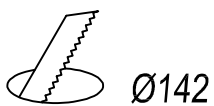
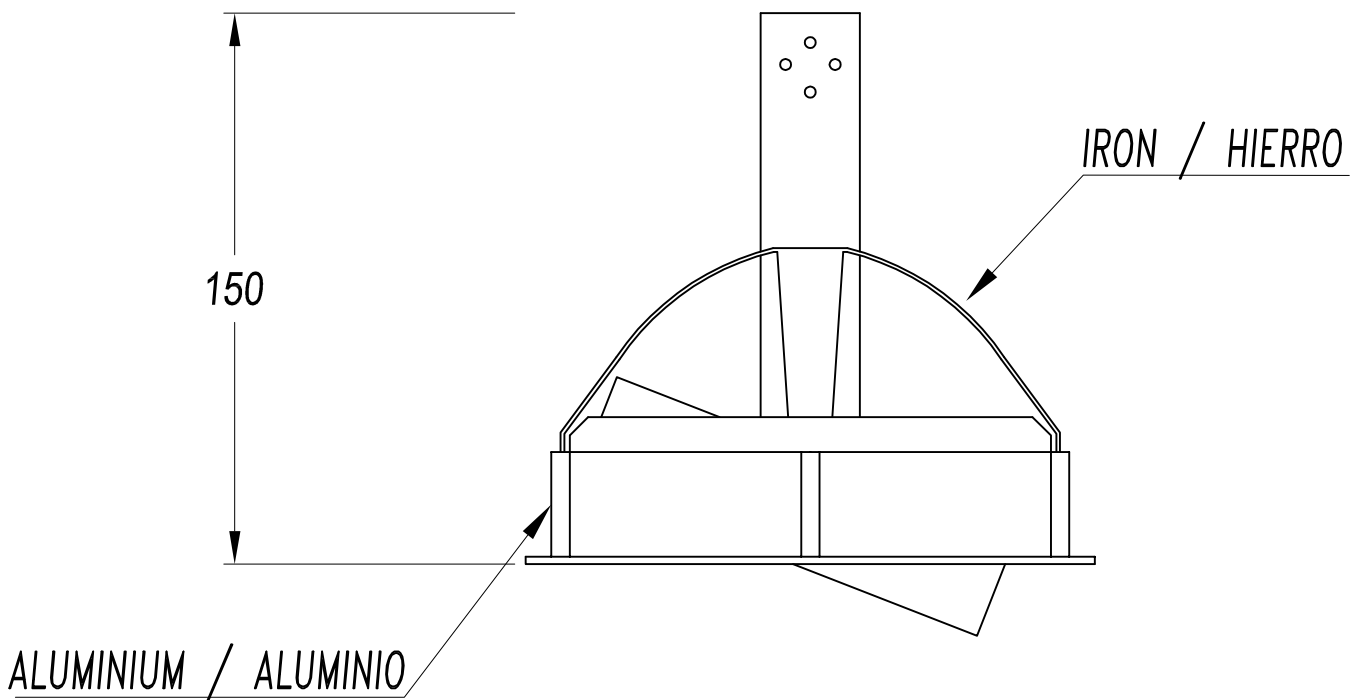
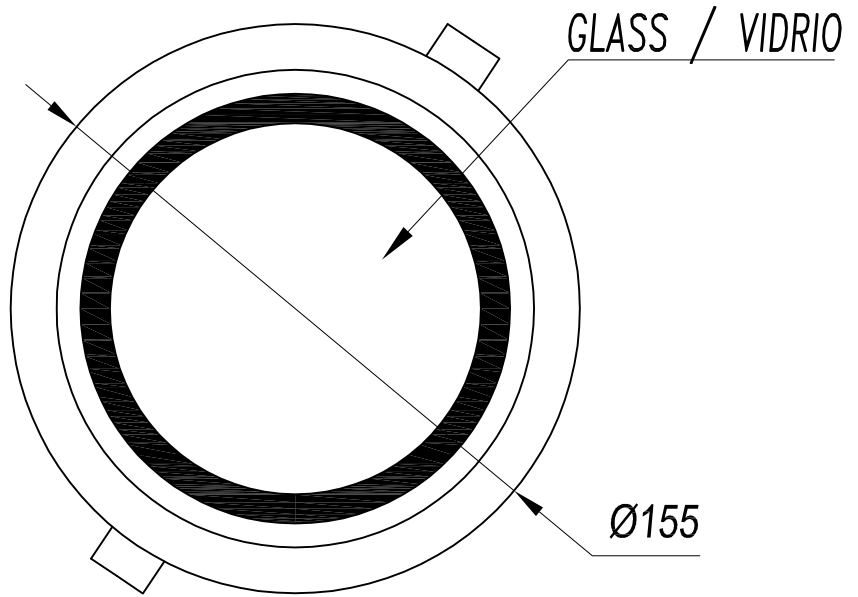
nº 41
 CARDEX C HIT-T 70W 10°
 $\eta=69.600\%$



Download photometric file .ldt / .ies

ACT-0451-00-00Blue Colour filter for HIT-T lamp**ACT-0452-00-00**Colour filter for HIT-T lamp**ACT-0453-00-00**Colour filter for HIT-T lamp**ACT-0454-00-00**Colour filter for HIT-T lamp



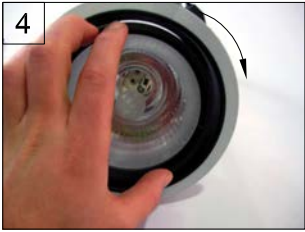
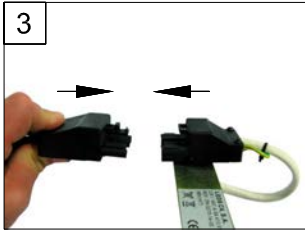
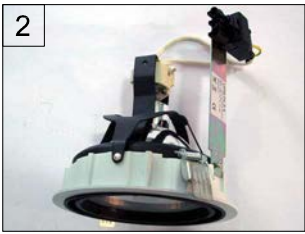




LEDS-C4

Afores s/n
25750 Torà-Lleida-SPAIN
Telf.34 973 46 81 00
Fax.34 973 46 81 06
www.leds-c4.com
e-mail: leds-c4@leds-c4.com

Nº 28



REF.	∅	LAMP	SOCKET
DN-0273-14-00	∅ 142	HIT-T max. 150W	G12
DN-0273-N3-00	∅ 142	HIT-T max. 150W	G12
DN-0274-14-00	∅ 142	HIT-T max. 150W	G12
DN-0274-N3-00	∅ 142	HIT-T max. 150W	G12

