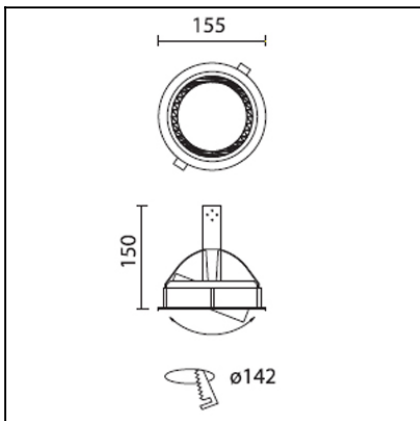


# CARDEX C

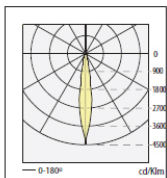
## DN-0274-N3-00



The photograph may not match the reference exactly. Please read the product description to identify the finish.



n° 41  
CARDEX C HIT-T 70W 10°  
 $\eta=69.600\%$



H (m)	Emed (lux)	D (m)
1	19057.38	0.28
2	4764.34	0.56
3	2117.49	0.84
4	1191.09	1.12

### DESCRIPTION

Round recessed downlight with body and external surround made of cast aluminium and finish in epoxy paint. Includes a cardan joint allowing a rotation of 40° in all directions using a single hoop. Available for halogen lamps, discharge lamps (with high efficiency reflectors and angles of 10°, 24° and 45°) and LED lamps. Finish in white or grey. Option of using different decorative mounting units to form groups of 1 to 4 lamps.

### TECHNICAL CHARACTERISTICS

Type:	Downlight
Adjustable $\pm 40^\circ$ around the two axis forming the horizontal plane.	
IP Protection degrees:	IP20
Lampholder:	1 x G12
Power (W):	G12 150
Angle Optiques:	10°
Voltage / Frequency:	HIT
Warranty (Years):	2
Units per box:	12
Net Weight (Kg):	0.585
EAN:	8435111047002,00



### MATERIALS / FINISHES

**Structure material:** Injected aluminium

**Diffuser material:** Tempered glass

**Structure finish:** Grey

**Diffuser finish:** Transparent

### GEAR

Necessary equipment not included. For more information check website / catalogs / sales organization.

Download photometric file .ldt / .ies

**ACT-0451-00-00**



Blue Colour filter for HIT-T lamp

**ACT-0452-00-00**



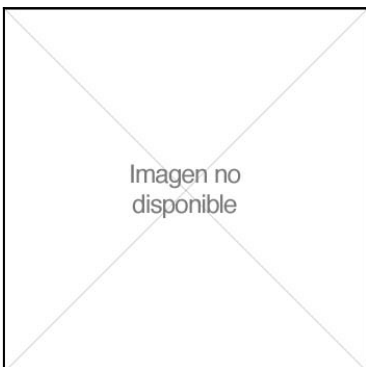
Colour filter for HIT-T lamp

**ACT-0453-00-00**

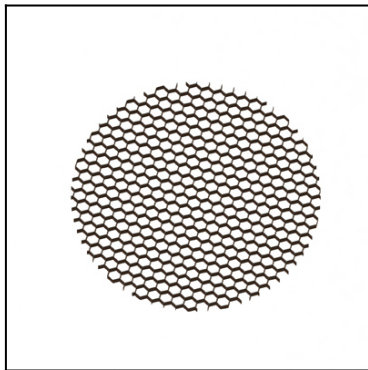


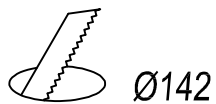
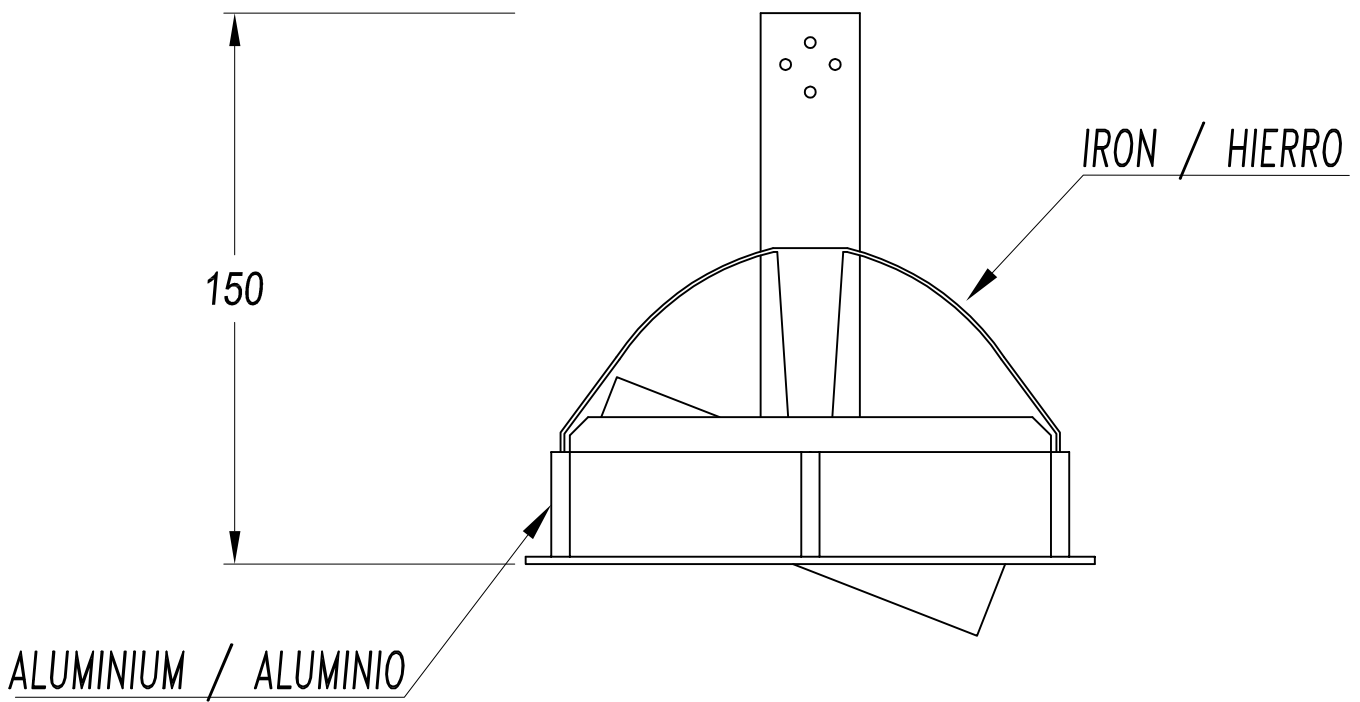
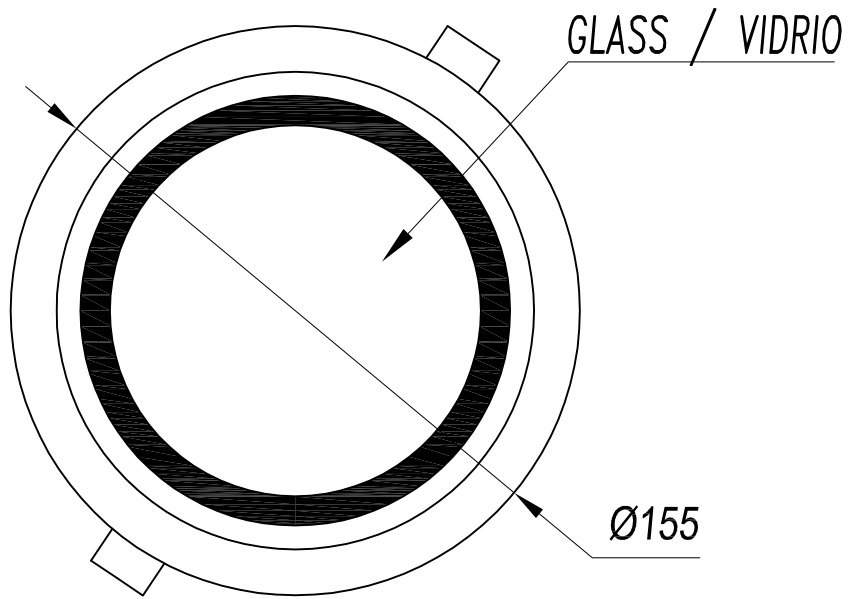
Colour filter for HIT-T lamp

**ACT-0454-00-00**



Colour filter for HIT-T lamp



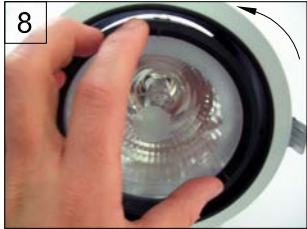
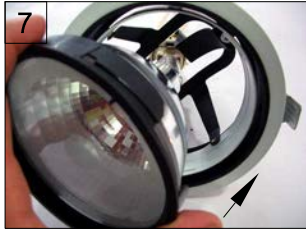
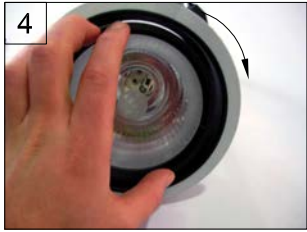
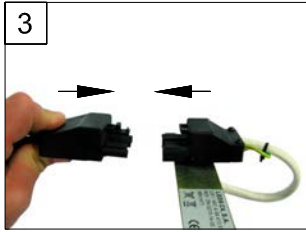




**LEDS-C4**

Afores s/n  
25750 Torà-Lleida-SPAIN  
Telf.34 973 46 81 00  
Fax.34 973 46 81 06  
www.leds-c4.com  
e-mail: leds-c4@leds-c4.com

**Nº 28**



REF.	Ø	LAMP	SOCKET
DN-0273-14-00	Ø 142	HIT-T max. 150W	G12
DN-0273-N3-00	Ø 142	HIT-T max. 150W	G12
DN-0274-14-00	Ø 142	HIT-T max. 150W	G12
DN-0274-N3-00	Ø 142	HIT-T max. 150W	G12

