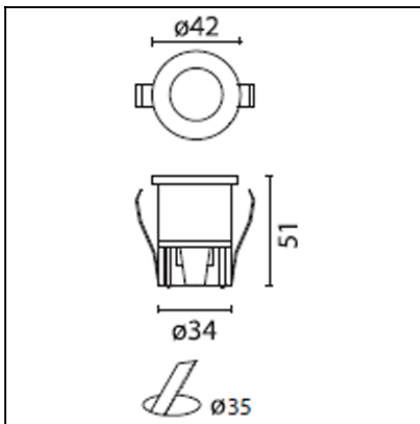




The photograph may not match the reference exactly. Please read the product description to identify the finish.



TECHNICAL CHARACTERISTICS

Type:	Downlight
IP Protection degrees:	IP50
Bulb:	1 x LED Cree. Cold White - 6000K
Power (W):	2,2
Total power consumption (W):	2.2
Voltage / Frequency:	700mA
Warranty (Years):	2
Option to extend the guarantee:	Yes, 5 years
Units per box:	100
Net Weight (Kg):	0.055
EAN:	8435111047125,00



MATERIALS / FINISHES

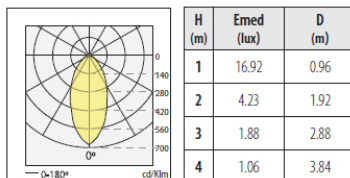
Structure material: Injected aluminium
Structure finish: Grey

Diffuser material: Tempered glass
Diffuser finish: Sandblasted

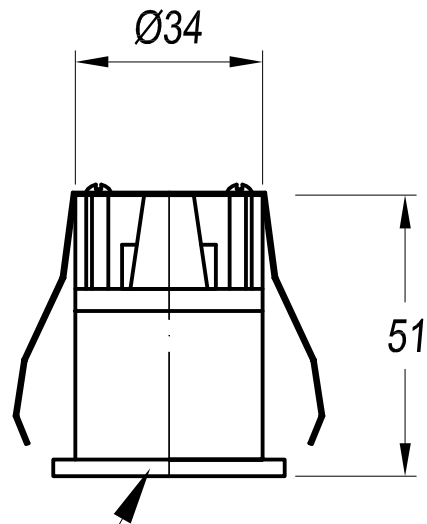
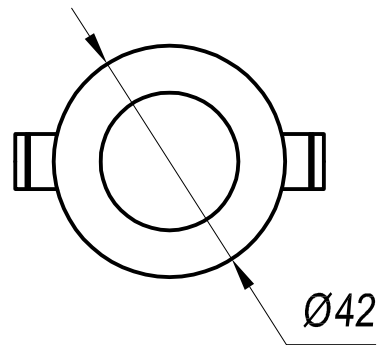
GEAR

Necessary equipment not included. For more information check website / catalogs / sales organization.

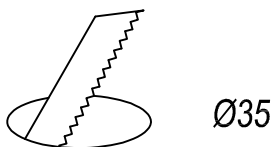
n° 50
 LEDIO PowerLed 1,2W 50°
 $\eta = 91.000\%$



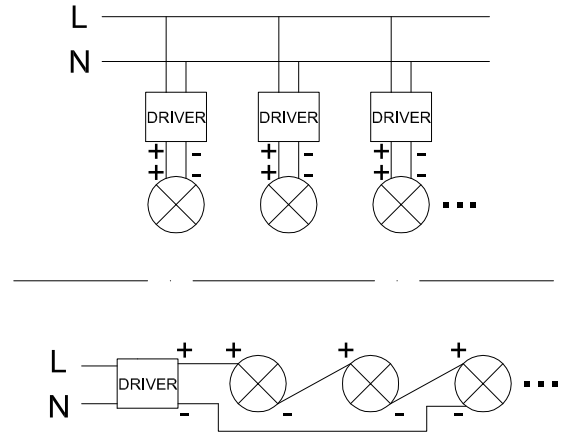
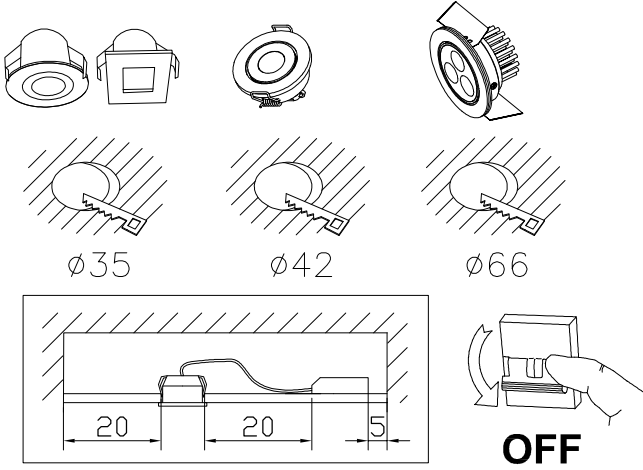
Download photometric file .ldt / .ies



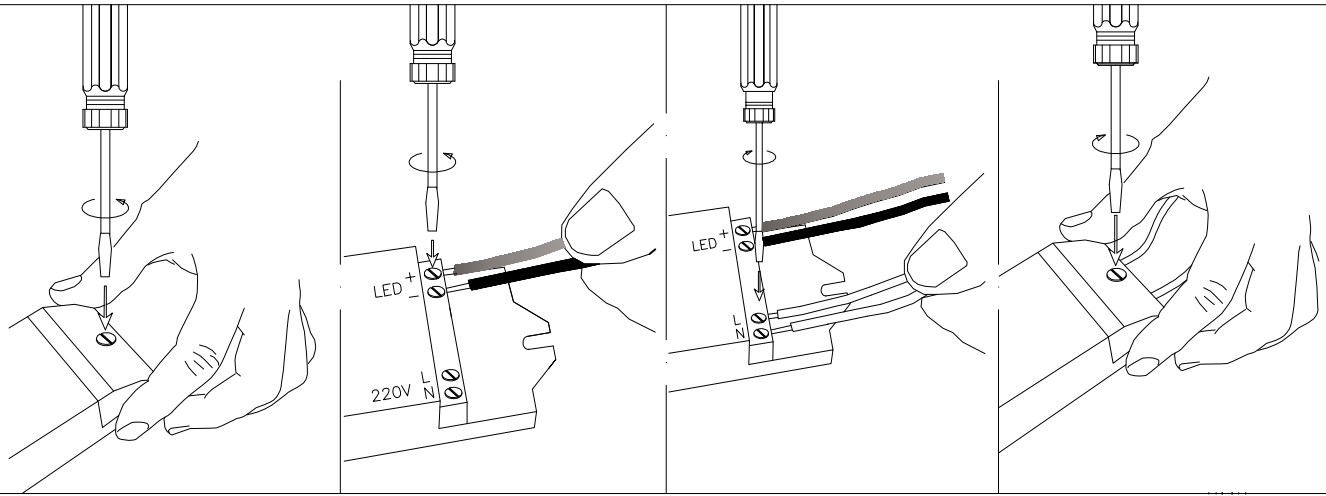
ALUMINIUM / ALUMINIO



①



②



③



④

