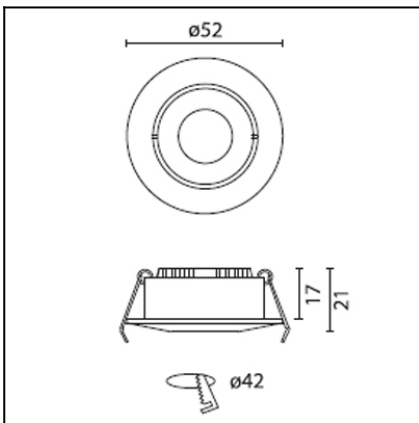




The photograph may not match the reference exactly. Please read the product description to identify the finish.



DESCRIPTION

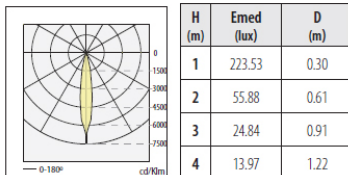
Multidirectional LED suitable for flush mounted installation on ceilings. Produced in machined high grade aluminium with a PMMA lens. Light beam of 15°. Two versions depending on fixture system and finish: - Grey finish with colour temperature available in warm white, with the light unit - Brushed aluminium finish with two colour temperature options (warm white and cool white), and subsection with two springs.

TECHNICAL CHARACTERISTICS

Type:	Downlight
Adjustable $\pm 15^\circ$ on the vertical axis	
IP Protection degrees:	IP23
Bulb:	1 x LED Cree. Warm White - 3000K
Power (W):	2,2
Total power consumption (W):	2,2
Angle Óptiques:	15°
Voltage / Frequency:	700mA
Warranty (Years):	2
Option to extend the guarantee:	Yes, 5 years
Units per box:	200
Net Weight (Kg):	0.04
EAN:	8435111061077,00



n° 49
LEDIO PowerLed 1W 15°
 $\eta = 95.000\%$



MATERIALS / FINISHES

Structure material: Aluminium

Diffuser material: Methacrylate

Structure finish: Brushed

Diffuser finish: Transparent

GEAR

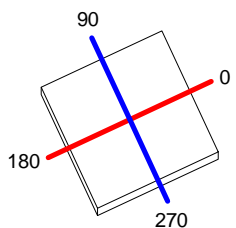
Necessary equipment not included. For more information check website / catalogs / sales organization.

Download photometric file .ldt / .ies

Luminaire		Measur.		Lamp	
Code	DN-0511-S2-00	Code	DN-0511-S2-00	Code	LED
Name	LED	Name	LED	Number	1
Line	IESNA-1995	Date	24-04-2013	Position	
Efficiency	92.29%	Coordinate system	CG	Total Flux	161.60 lm
Maximum value	670.02 cd	Position	C=150.00 G=1.00	Asymmetrical	
Rectangular Luminaire Rectangular Luminous Area	Length Length	18 mm 18 mm	Width Width	18 mm 18 mm	Height Height
Horizontal Luminous Area Emitting area on Plane 0° Emitting area on Plane 90°	0.000324 m2 0.000000 m2 0.000000 m2	Emitting area on Plane 180° Emitting area on Plane 270° Glare area at 76°		0.000000 m2 0.000000 m2 0.000078 m2	
Symmetry Type Measurement Distance	Asymmetrical 0.00	Maximum Gamma Angle Measurement Flux		90 161.60 lm	
Operator Temperature Humidity Notes	25.00 °C 60.00 %	Source voltage Source current Photocell			

Luminaire Lamps						
Line	Code	Name	Flux [lm]	Pow. [W]	Q.ty	
IESNA-1995	LED	XB-D/7C1-Q3 - 2.40 W	161.60	2.40	1	
C.I.E.	92 97 99 100 92	D DIN 5040		A60		
F UTE	0.92 A	B NBN		BZ 1		

18mm x 18mm



C Halfplanes

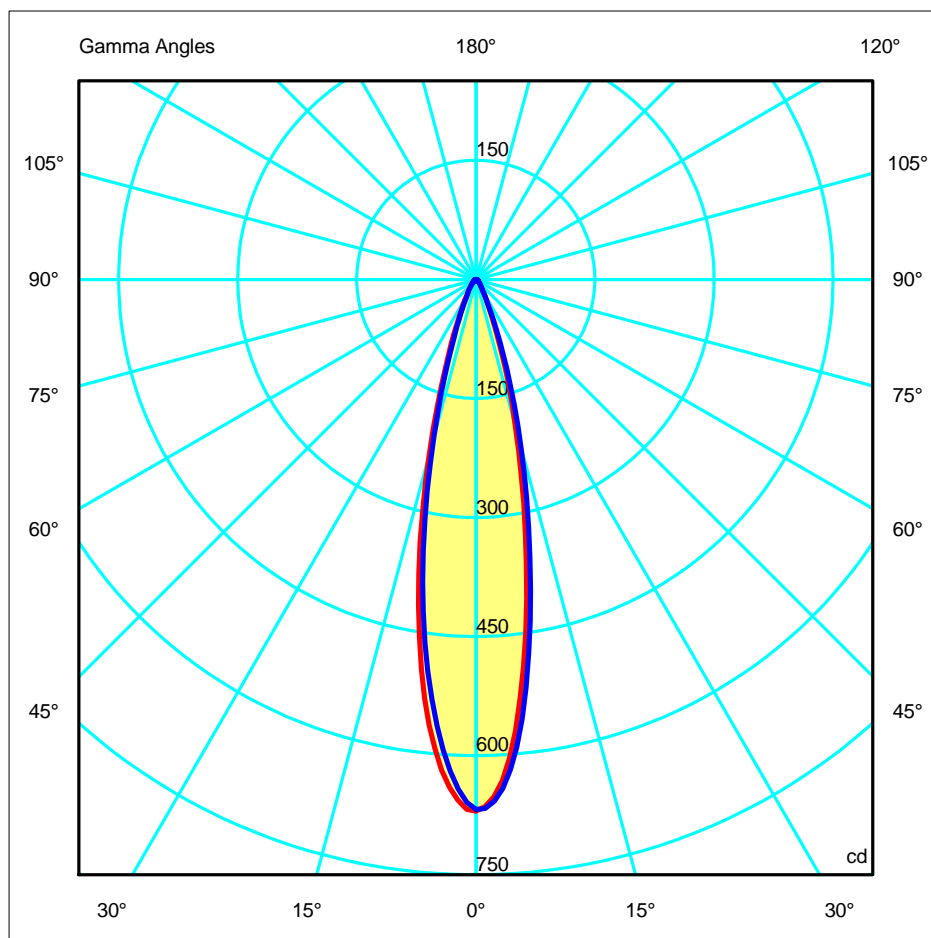
180.0 — 0.0

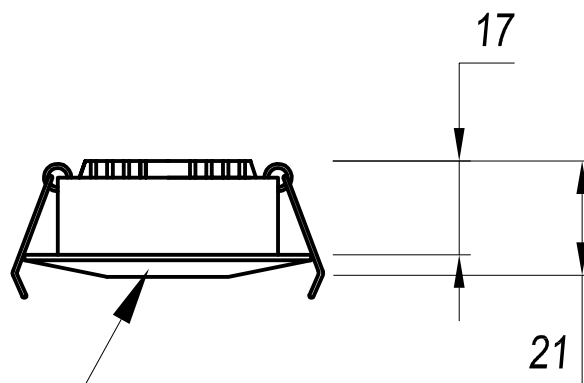
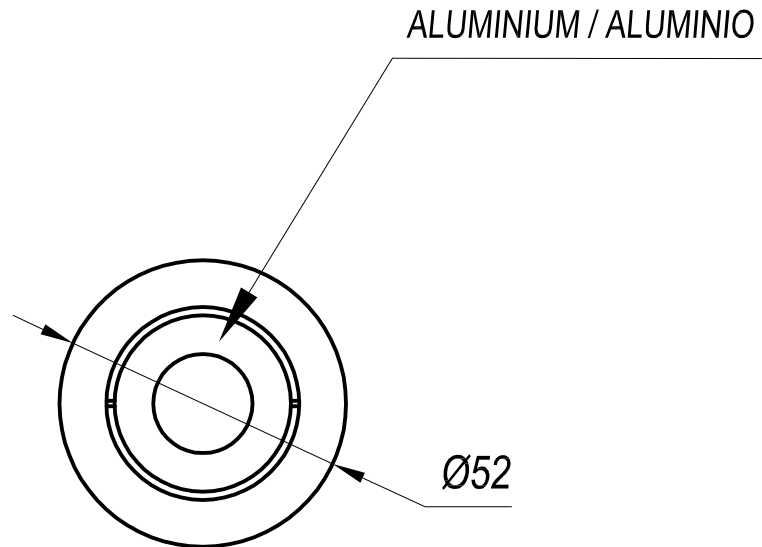
270.0 — 90.0

ULOR 0.00 %

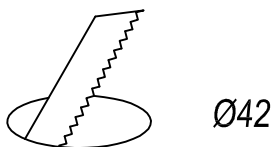
DLOR 92.29 %

RN 0.00 %

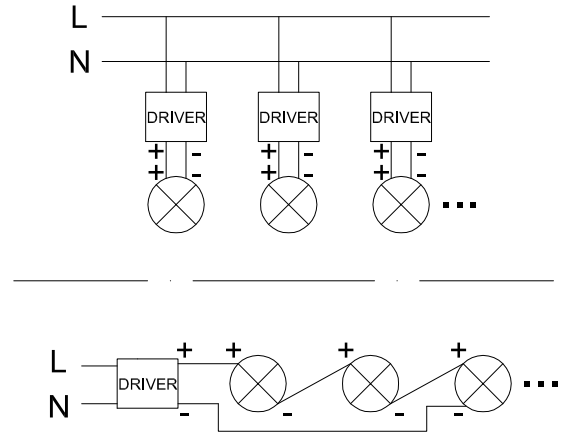
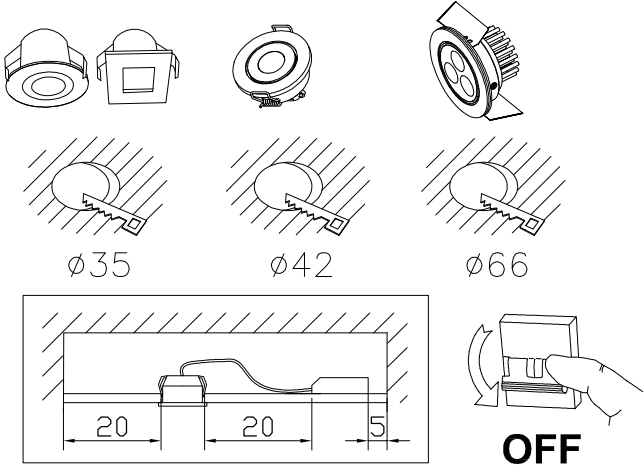




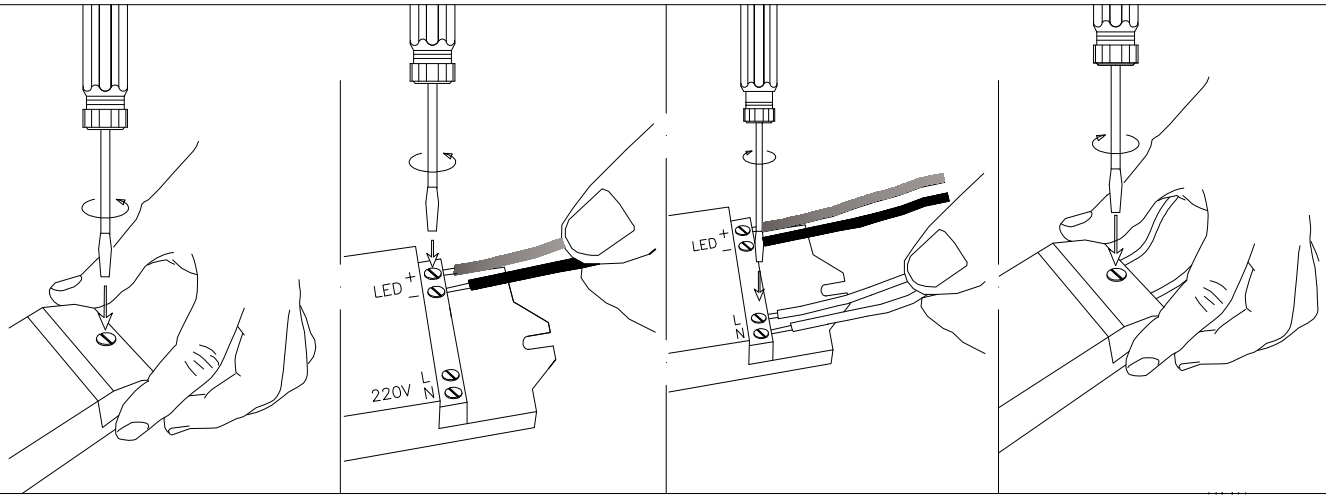
ALUMINIUM / ALUMINIO



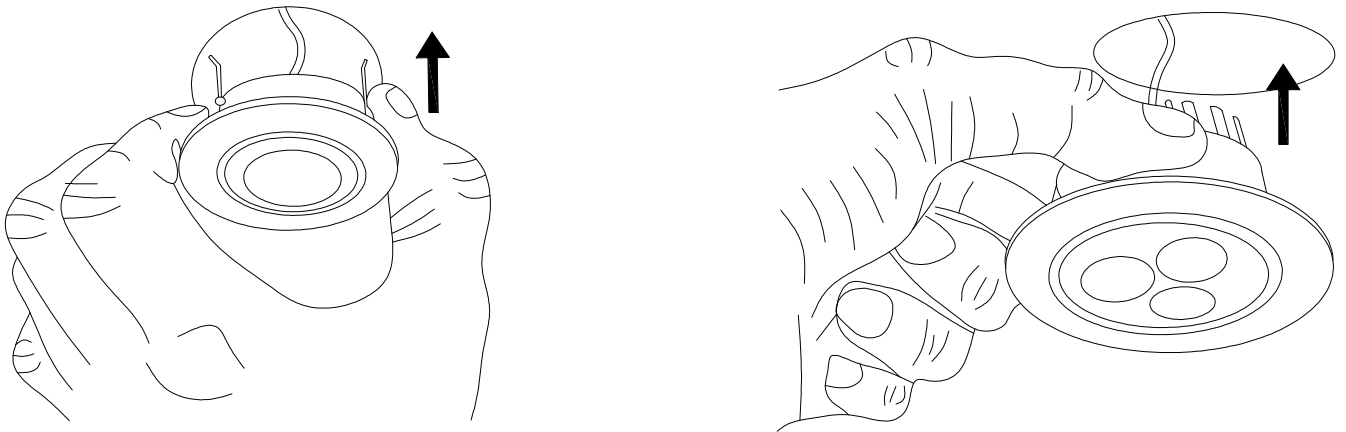
①



②



③



④

