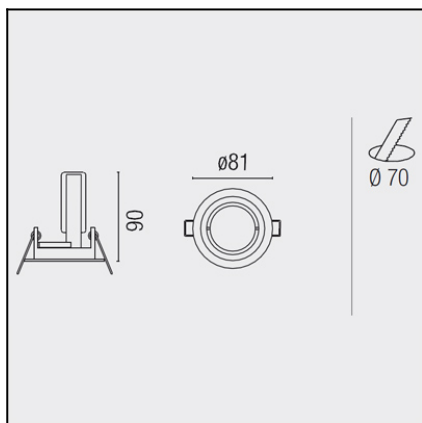


TRIMIUM MINI DN-0525-14-00



The photograph may not match the reference exactly. Please read the product description to identify the finish.

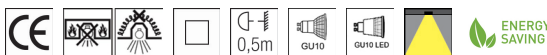


DESCRIPTION

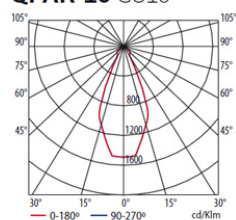
Small group of recessed downlights. Round body produced in 100% cast aluminium, steel clips and surrounds in different finishes (white, grey and brushed aluminium) in corrosion and rust resistant paint. Suitable for halogen lamps and LED lamps. Various models depending on sizes, angle of direction (two fixed models and two rotating ones) and level of visual comfort. Mounting clips included in the unit can be adjusted without the need for additional tools.

TECHNICAL CHARACTERISTICS

Type:	Downlight
IP Protection degrees:	IP23
Lampholder:	1 x GU10 1 x GU10
Power (W):	GU10 50 GU10 7
Total power consumption (W):	50
Voltage / Frequency:	220-240V/50-60Hz
Warranty (Years):	2
Units per box:	100
Net Weight (Kg):	0.1
EAN:	8435111080924,00



QPAR-16 GU10



H (m)	Emed (lux)	D (m)
1	733	1.5
2	183	3
3	81	4.48
4	46	5.98

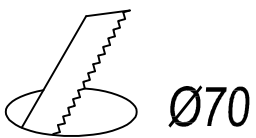
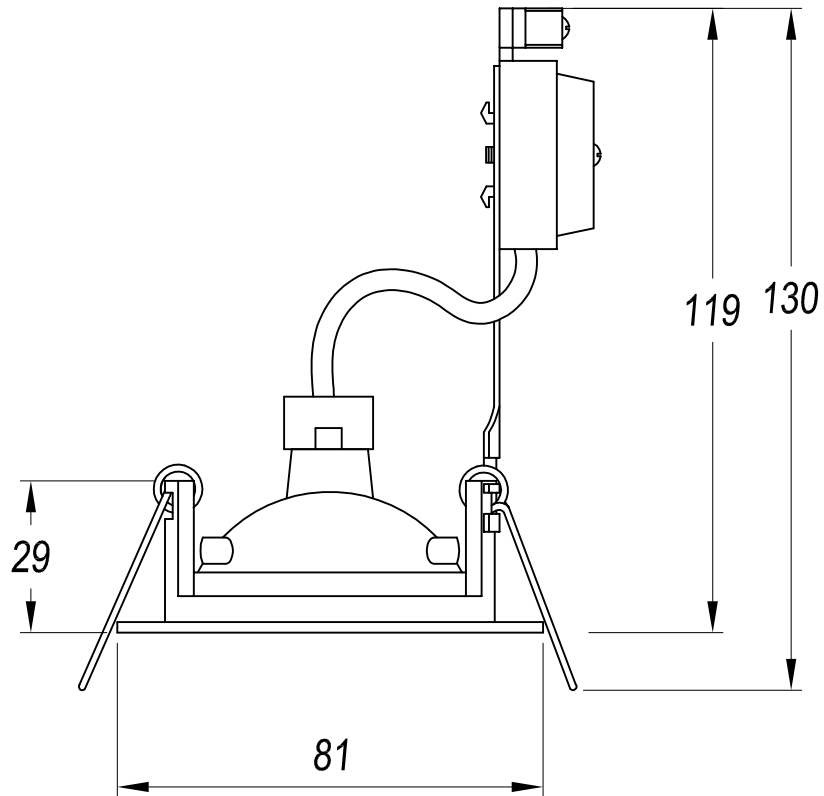
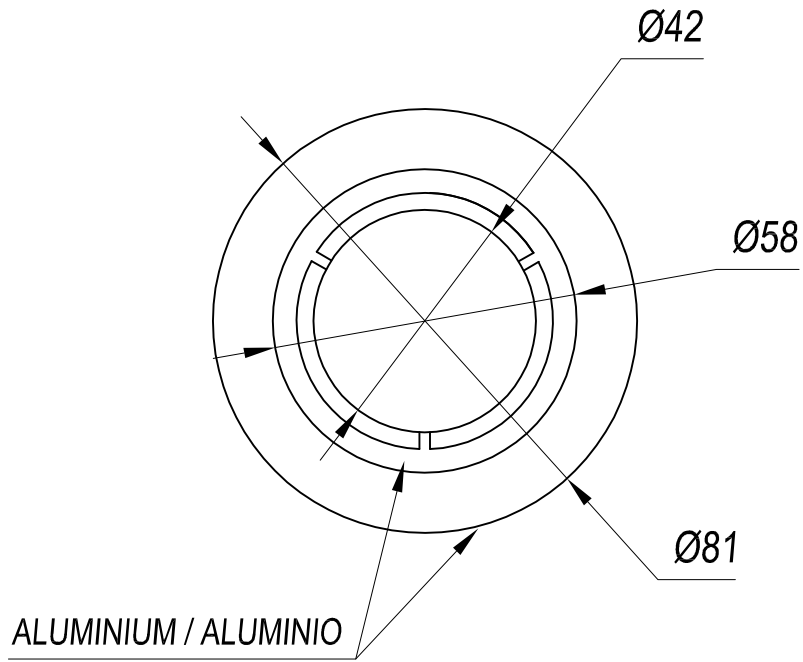
$\eta=100\%$

MATERIALS / FINISHES

Structure material: Aluminium

Structure finish: White

Download photometric file .ldt / .ies



REF.	Ø	LAMP	SOCKET	IP20	□
DN-0525-14-00	Ø70	GU10 max.50W	GU10	<input checked="" type="checkbox"/>	<input type="checkbox"/>
DN-0525-S2-00	Ø70	GU10 max.50W	GU10	<input checked="" type="checkbox"/>	<input type="checkbox"/>

