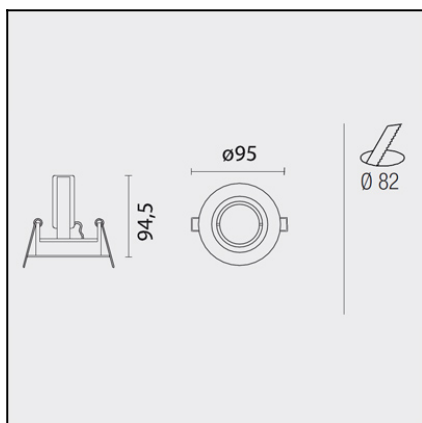


TRIMIUM MINI DN-0526-S2-00



The photograph may not match the reference exactly. Please read the product description to identify the finish.

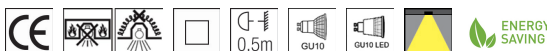


DESCRIPTION

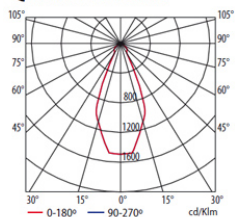
Small group of recessed downlights. Round body produced in 100% cast aluminium, steel clips and surrounds in different finishes (white, grey and brushed aluminium) in corrosion and rust resistant paint. Suitable for halogen lamps and LED lamps. Various models depending on sizes, angle of direction (two fixed models and two rotating ones) and level of visual comfort. Mounting clips included in the unit can be adjusted without the need for additional tools.

TECHNICAL CHARACTERISTICS

| | |
|---|----------------------|
| Type: | Downlight |
| Adjustable $\pm 20^\circ$ on the horizontal axis. | |
| IP Protection degrees: | IP23 |
| Lampholder: | 1 x GU10 1 x GU10 |
| Power (W): | GU10 50 GU10 15 |
| Total power consumption (W): | 50 |
| Voltage / Frequency: | 220-240V/50-60Hz |
| Warranty (Years): | 2 |
| Units per box: | 100 |
| Net Weight (Kg): | 0.14 |
| EAN: | 8435111080955,00 |



QPAR-16 GU10



| H (m) | Emed (lux) | D (m) |
|-------|------------|-------|
| 1 | 733 | 1.5 |
| 2 | 183 | 3 |
| 3 | 81 | 4.48 |
| 4 | 46 | 5.98 |

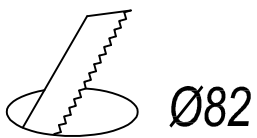
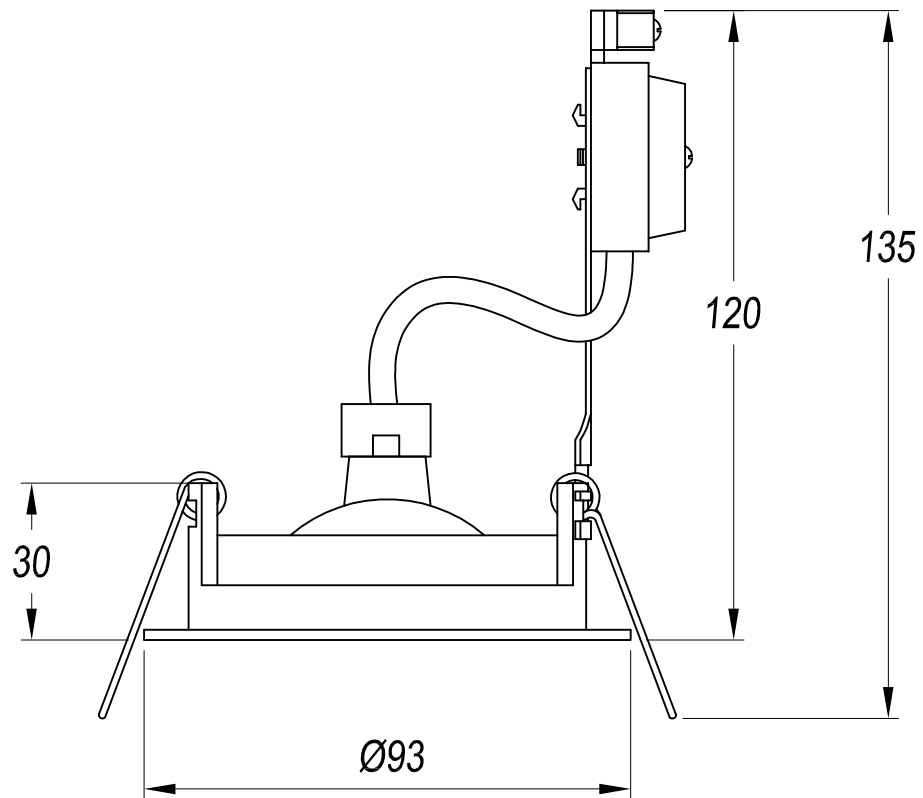
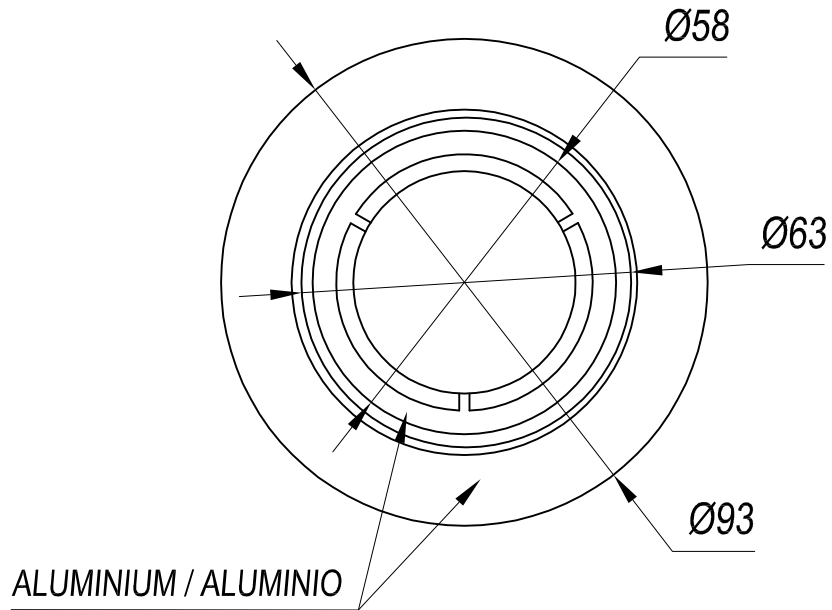
$\eta=100\%$

MATERIALS / FINISHES

Structure material: Aluminium

Structure finish: Brushed

Download photometric file .ldt /.ies



| REF. | ⌀ | LAMP | SOCKET | <input checked="" type="checkbox"/> IP20 | <input type="checkbox"/> |
|---------------|-----|--------------|--------|--|--------------------------|
| DN-0526-14-00 | Ø82 | GU10 max.50W | GU10 | <input checked="" type="checkbox"/> | <input type="checkbox"/> |
| DN-0526-S2-00 | Ø82 | GU10 max.50W | GU10 | <input checked="" type="checkbox"/> | <input type="checkbox"/> |

