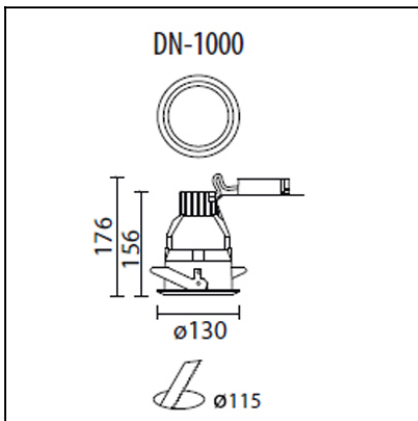


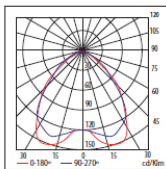
TRIMIUM S130 DN-1000-60-B9



The photograph may not match the reference exactly. Please read the product description to identify the finish.



n° 117
TRIMIUM S130 1x26W GX24q-3
 $\eta=34,56\%$



H (m)	Emed (lux)	D (m)
1	107	2.13
2	27	4.27
3	12	6.40
4	7	8.54
5	4	7.00

DESCRIPTION

Downlights suitable for recessed installation on ceilings. Body produced in 100% injected aluminium with a very high purity anodised aluminium reflector in a matt finish. For compact fluorescent lamps (95° beam) and discharge lamps (with 60° beam). Two models (round or square) and different finishes (white, grey and brushed aluminium). All units supplied with high protection glass preventing the infiltration of solid particles and liquids.

TECHNICAL CHARACTERISTICS

Type:	Downlight
IP Protection degrees:	IP54
Lampholder:	1 x GX24q3
Power (W):	GX24q3 26
Angle Óptiques:	95°
Voltage / Frequency:	220-240V/50-60Hz
Warranty (Years):	2
Units per box:	27
Net Weight (Kg):	0.605
EAN:	8435111060698,00



MATERIALS / FINISHES

Structure material: Injected aluminium

Diffuser material: Tempered glass

Structure finish: Epoxy finish

Diffuser finish: Tinted

GEAR

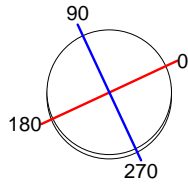
Gear included: Yes, electronic

Download photometric file .ldt / .ies

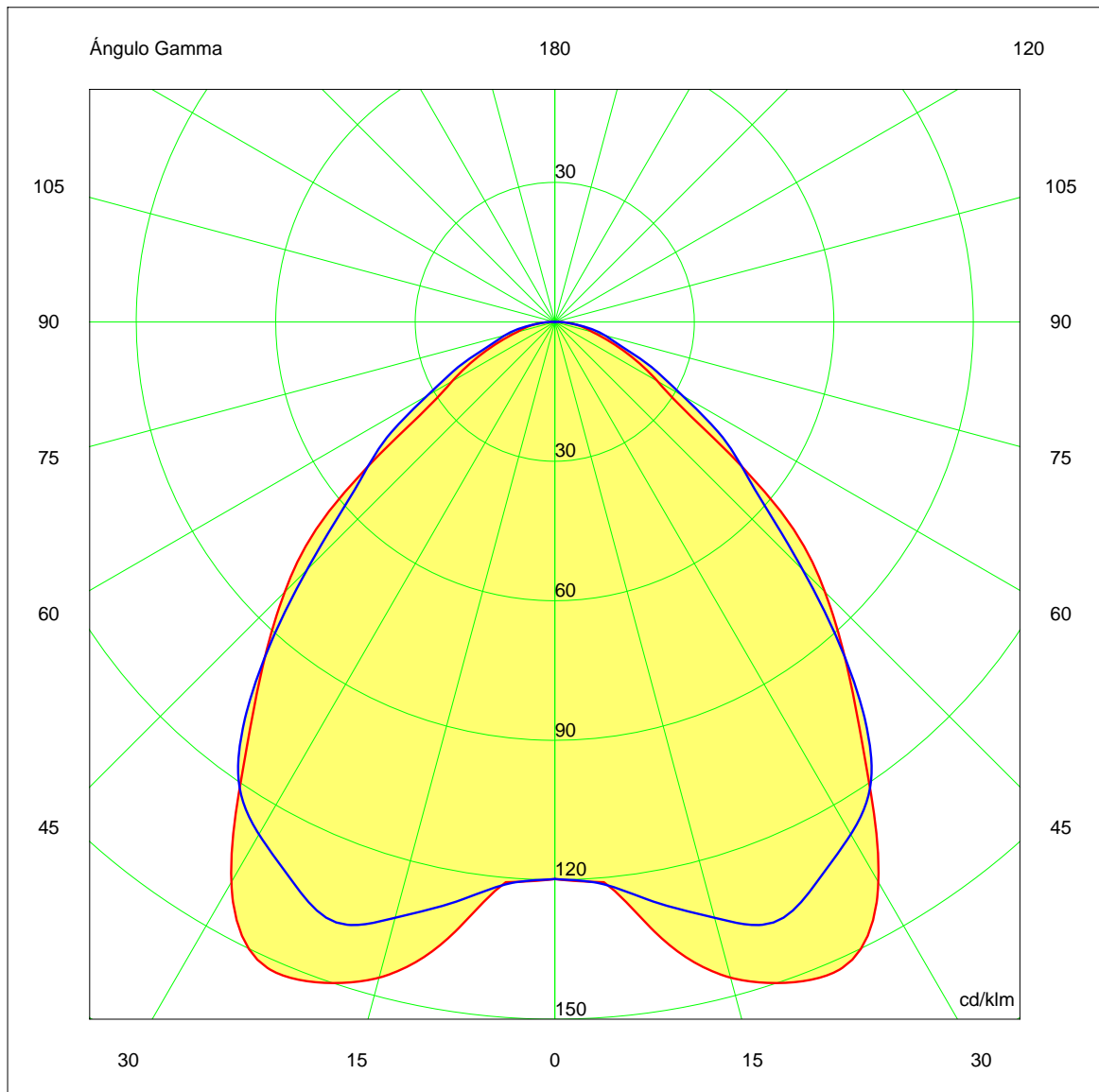
Luminaria		Ensayo		Lámpara	
Código	DN-1000-60-B9	Código	DN-1000-60-B9	Código	PLT26844P
Nombre	Downlight 1x26W GX24q-3	Nombre	Downlight 1x6W GX24q-3	Número	1
Familia	- LEDS-C4	Fecha	07-12-2008	Posición	UNIVERSAL
Eficiencia	34.56%	Sist. de Coorden.	C-G	Flujo Total	1800.00 lm
Valor Máximo	151.36 cd/klm	Posición	C=0.00 G=25.00		Bisimétrico

Diam=130mm Incasso

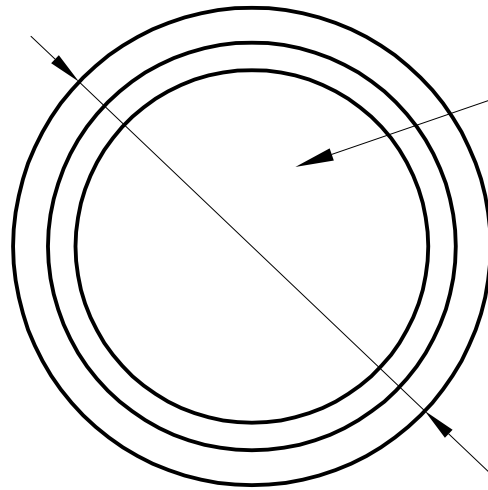
Semiplanos C



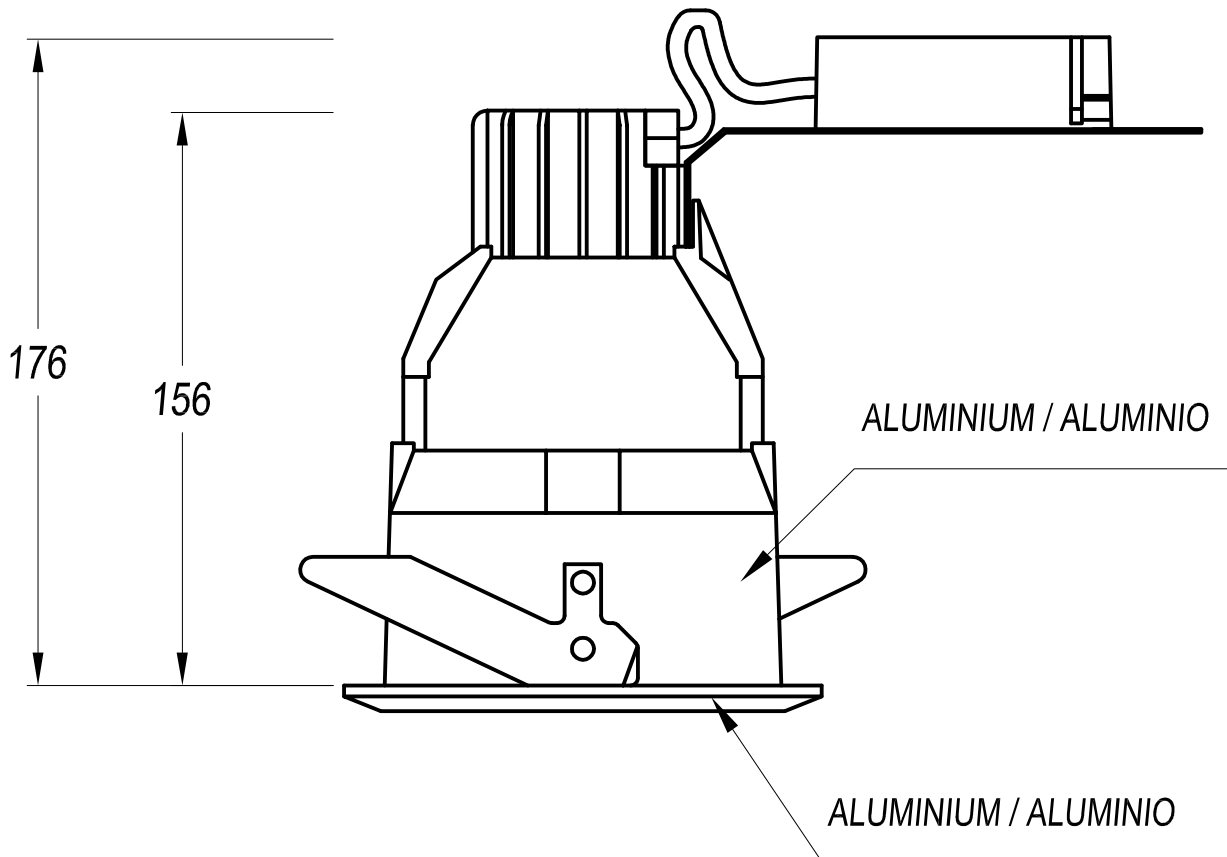
180.0 ——— 0.0
270.0 ——— 90.0



GLASS, FROSTED
IN THE CENTRE /
VIDRIO MATIZADO
EN EL CENTRO



Ø130

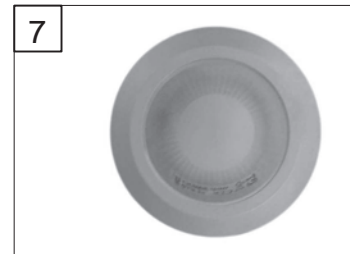
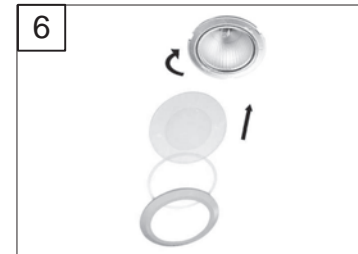
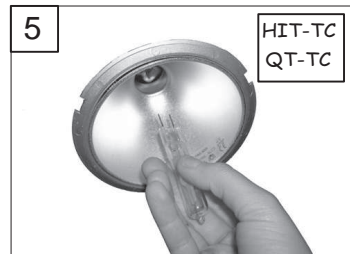
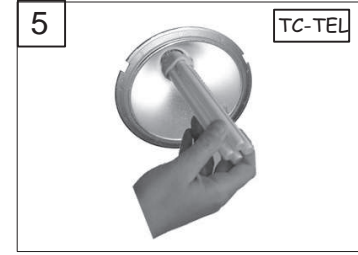
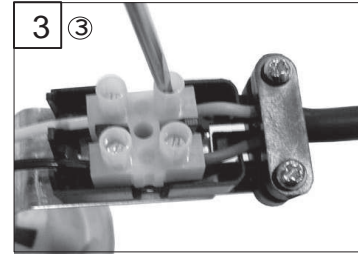
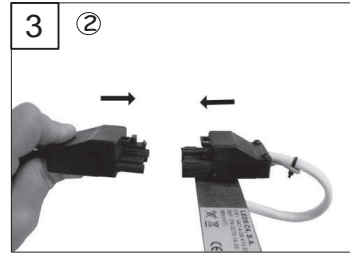
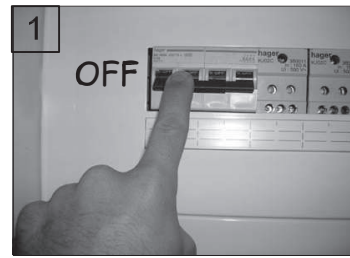


ALUMINIUM / ALUMINIO

ALUMINIUM / ALUMINIO



Ø115



REF.	\varnothing	LAMP	SOCKET		
① DN-1000-N3-B9	Ø115	TC-TEL max. 26W	GX24q-3		
① DN-1000-14-B9	Ø115	TC-TEL max. 26W	GX24q-3		
① DN-1000-60-B9	Ø115	TC-TEL max. 26W	GX24q-3		
① DN-1000-S2-B9	Ø115	TC-TEL max. 26W	GX24q-3		
① DN-1006-N3-B9	Ø115	TC-TEL max. 26W	GX24q-3		
① DN-1006-14-B9	Ø115	TC-TEL max. 26W	GX24q-3		
① DN-1006-60-B9	Ø115	TC-TEL max. 26W	GX24q-3		
① DN-1006-S2-B9	Ø115	TC-TEL max. 26W	GX24q-3		
② DN-1001-N3-B9	Ø115	HIT-TC max. 70W	G8.5		
② DN-1001-14-B9	Ø115	HIT-TC max. 70W	G8.5		
② DN-1001-60-B9	Ø115	HIT-TC max. 70W	G8.5		
② DN-1001-S2-B9	Ø115	HIT-TC max. 70W	G8.5		
② DN-1007-N3-B9	Ø115	HIT-TC max. 70W	G8.5		
② DN-1007-14-B9	Ø115	HIT-TC max. 70W	G8.5		
② DN-1007-60-B9	Ø115	HIT-TC max. 70W	G8.5		
② DN-1007-S2-B9	Ø115	HIT-TC max. 70W	G8.5		
③ DN-1002-N3-B9	Ø115	QT-TC max. 60W	G8.5		
③ DN-1002-14-B9	Ø115	QT-TC max. 60W	G8.5		
③ DN-1002-60-B9	Ø115	QT-TC max. 60W	G8.5		
③ DN-1002-S2-B9	Ø115	QT-TC max. 60W	G8.5		
③ DN-1008-N3-B9	Ø115	QT-TC max. 60W	G8.5		
③ DN-1008-14-B9	Ø115	QT-TC max. 60W	G8.5		
③ DN-1008-60-B9	Ø115	QT-TC max. 60W	G8.5		
③ DN-1008-S2-B9	Ø115	QT-TC max. 60W	G8.5		