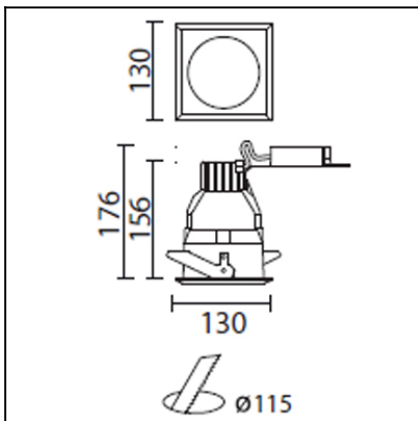


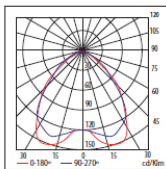
TRIMIUM S130 DN-1006-N3-B9



The photograph may not match the reference exactly. Please read the product description to identify the finish.



n° 117
TRIMIUM S130 1x26W GX24q-3
 $\eta=34,56\%$



H (m)	Emed (lux)	D (m)
1	107	2.13
2	27	4.27
3	12	6.40
4	7	8.54
5	4	7.00

DESCRIPTION

Downlights suitable for recessed installation on ceilings. Body produced in 100% injected aluminium with a very high purity anodised aluminium reflector in a matt finish. For compact fluorescent lamps (95° beam) and discharge lamps (with 60° beam). Two models (round or square) and different finishes (white, grey and brushed aluminium). All units supplied with high protection glass preventing the infiltration of solid particles and liquids.

TECHNICAL CHARACTERISTICS

Type:	Downlight
IP Protection degrees:	IP54
Lampholder:	1 x GX24q3
Power (W):	GX24q3 26
Angle Óptiques:	95°
Voltage / Frequency:	230V/50-60Hz
Warranty (Years):	2
Units per box:	20
Net Weight (Kg):	0.68
EAN:	8435111060780,00



MATERIALS / FINISHES

Structure material: Injected aluminium
Structure finish: Baked-on grey paint

Diffuser material: Tempered glass
Diffuser finish: Tinted

GEAR

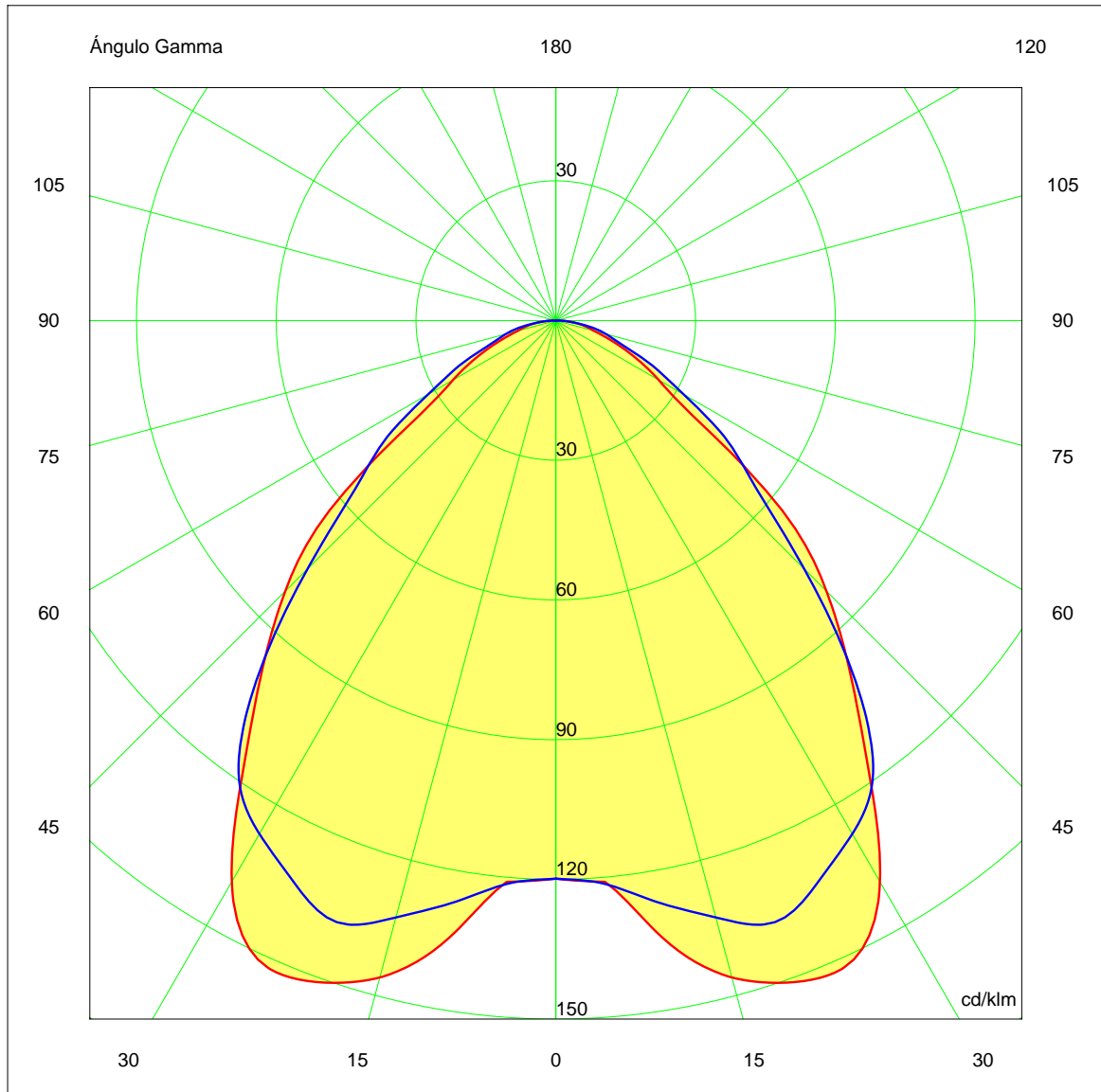
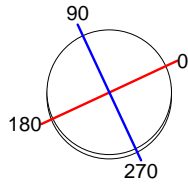
Gear included: Yes, electronic

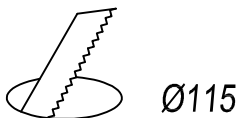
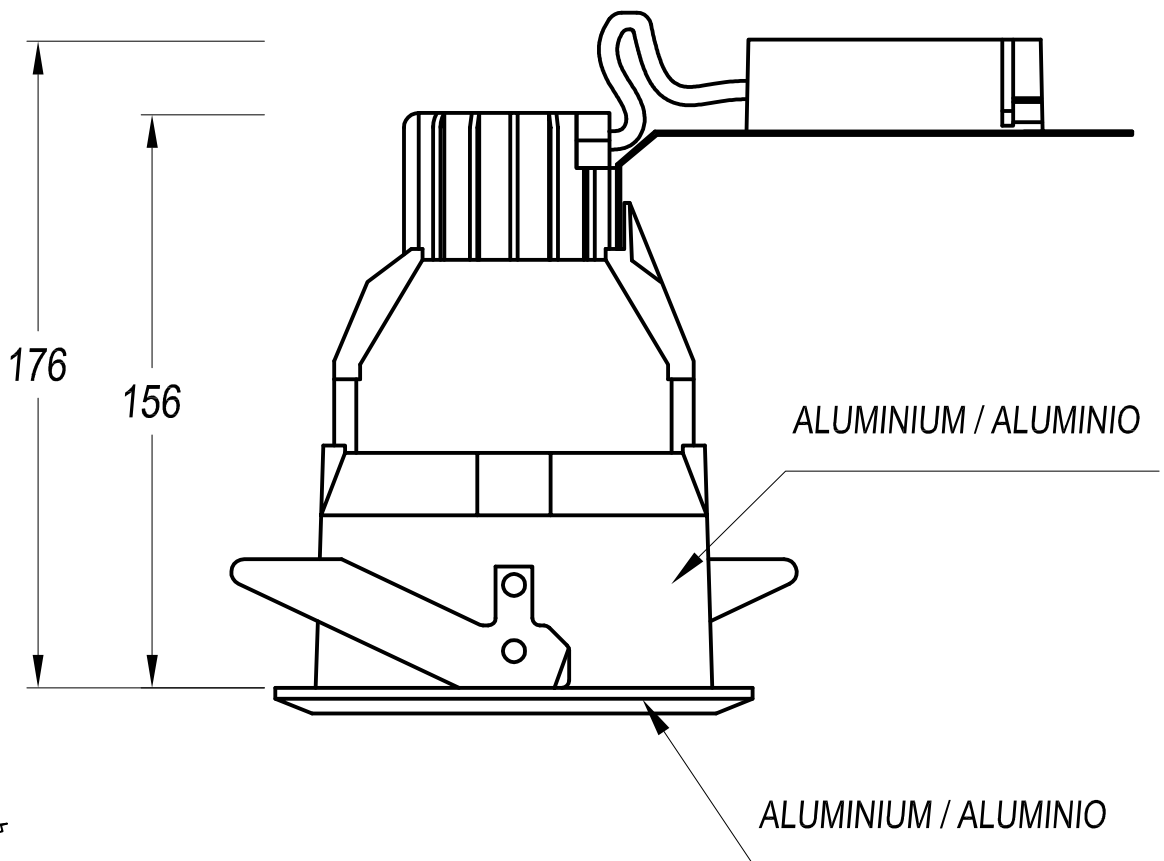
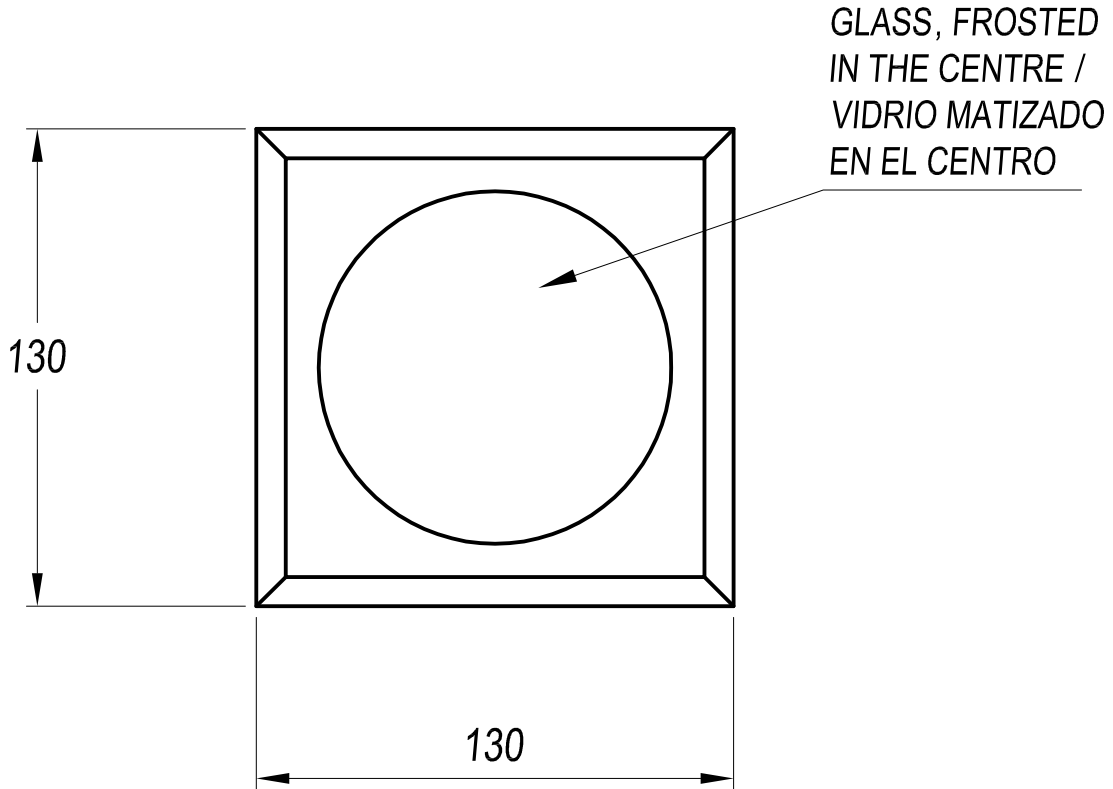
Download photometric file .ldt / .ies

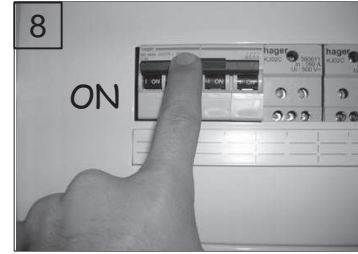
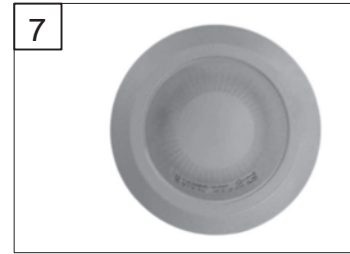
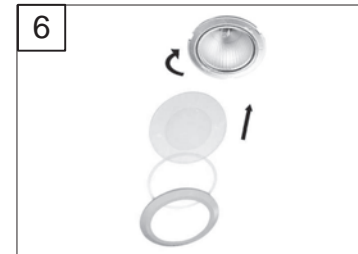
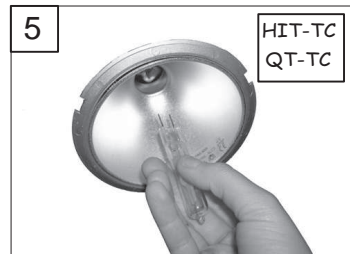
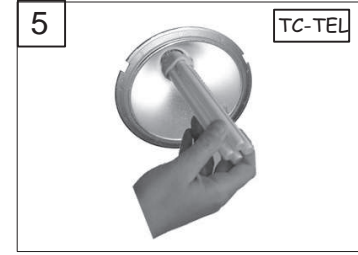
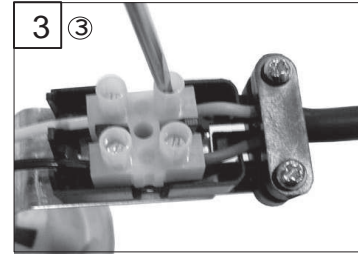
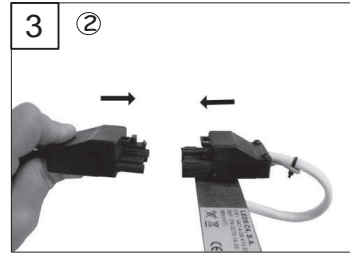
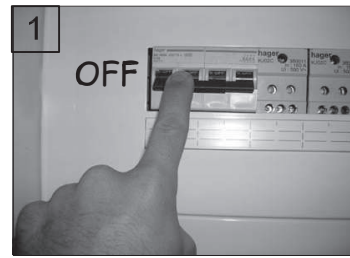
Luminaria		Ensayo		Lámpara	
Código	DN-1000-60-B9	Código	DN-1000-60-B9	Código	PLT26844P
Nombre	Downlight 1x26W GX24q-3	Nombre	Downlight 1x6W GX24q-3	Número	1
Familia	- LEDS-C4	Fecha	07-12-2008	Posición	UNIVERSAL
Eficiencia	34.56%	Sist. de Coorden.	C-G	Flujo Total	1800.00 lm
Valor Máximo	151.36 cd/klm	Posición	C=0.00 G=25.00		Bisimétrico

Diam=130mm Incasso

Semiplanos C







REF.	Ø	LAMP	SOCKET	IP
① DN-1000-N3-B9	Ø115	TC-TEL max. 26W	GX24q-3	IP54
① DN-1000-14-B9	Ø115	TC-TEL max. 26W	GX24q-3	IP54
① DN-1000-60-B9	Ø115	TC-TEL max. 26W	GX24q-3	IP54
① DN-1000-S2-B9	Ø115	TC-TEL max. 26W	GX24q-3	IP54
① DN-1006-N3-B9	Ø115	TC-TEL max. 26W	GX24q-3	IP54
① DN-1006-14-B9	Ø115	TC-TEL max. 26W	GX24q-3	IP54
① DN-1006-60-B9	Ø115	TC-TEL max. 26W	GX24q-3	IP54
① DN-1006-S2-B9	Ø115	TC-TEL max. 26W	GX24q-3	IP54
② DN-1001-N3-B9	Ø115	HIT-TC max. 70W	G8.5	IP54
② DN-1001-14-B9	Ø115	HIT-TC max. 70W	G8.5	IP54
② DN-1001-60-B9	Ø115	HIT-TC max. 70W	G8.5	IP54
② DN-1001-S2-B9	Ø115	HIT-TC max. 70W	G8.5	IP54
② DN-1007-N3-B9	Ø115	HIT-TC max. 70W	G8.5	IP54
② DN-1007-14-B9	Ø115	HIT-TC max. 70W	G8.5	IP54
② DN-1007-60-B9	Ø115	HIT-TC max. 70W	G8.5	IP54
② DN-1007-S2-B9	Ø115	HIT-TC max. 70W	G8.5	IP54
③ DN-1002-N3-B9	Ø115	QT-TC max. 60W	G8.5	IP54
③ DN-1002-14-B9	Ø115	QT-TC max. 60W	G8.5	IP54
③ DN-1002-60-B9	Ø115	QT-TC max. 60W	G8.5	IP54
③ DN-1002-S2-B9	Ø115	QT-TC max. 60W	G8.5	IP54
③ DN-1008-N3-B9	Ø115	QT-TC max. 60W	G8.5	IP54
③ DN-1008-14-B9	Ø115	QT-TC max. 60W	G8.5	IP54
③ DN-1008-60-B9	Ø115	QT-TC max. 60W	G8.5	IP54
③ DN-1008-S2-B9	Ø115	QT-TC max. 60W	G8.5	IP54