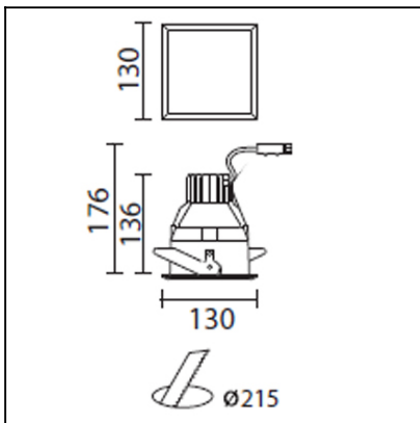


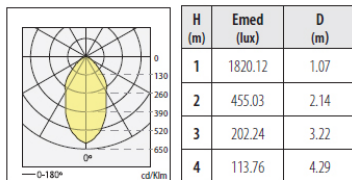
TRIMIUM S130 DN-1007-60-B9



The photograph may not match the reference exactly. Please read the product description to identify the finish.



n° 30
TRIMIUM S130 HIT-TC 70W
 $\eta=57.900\%$



DESCRIPTION

Downlights suitable for recessed installation on ceilings. Body produced in 100% injected aluminium with a very high purity anodised aluminium reflector in a matt finish. For compact fluorescent lamps (95° beam) and discharge lamps (with 60° beam). Two models (round or square) and different finishes (white, grey and brushed aluminium). All units supplied with high protection glass preventing the infiltration of solid particles and liquids.

TECHNICAL CHARACTERISTICS

Type:	Downlight
IP Protection degrees:	IP54
Lampholder:	1 x G8.5
Power (W):	G8.5 70
Angle Óptiques:	60°
Voltage / Frequency:	88V (HIT)
Warranty (Years):	2
Units per box:	1
Net Weight (Kg):	0.58
EAN:	8435111058305



MATERIALS / FINISHES

Structure material: Injected aluminium

Diffuser material: Tempered glass

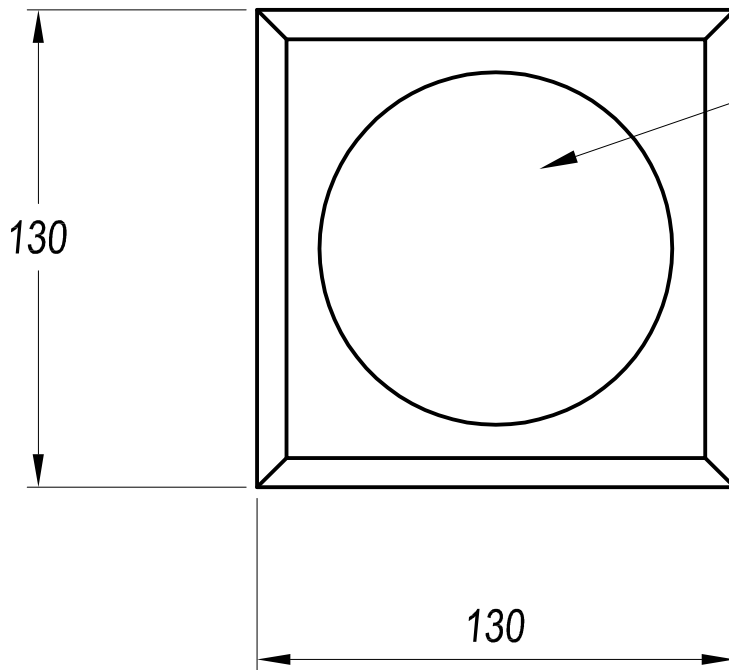
Structure finish: Epoxy finish

Diffuser finish: Tinted

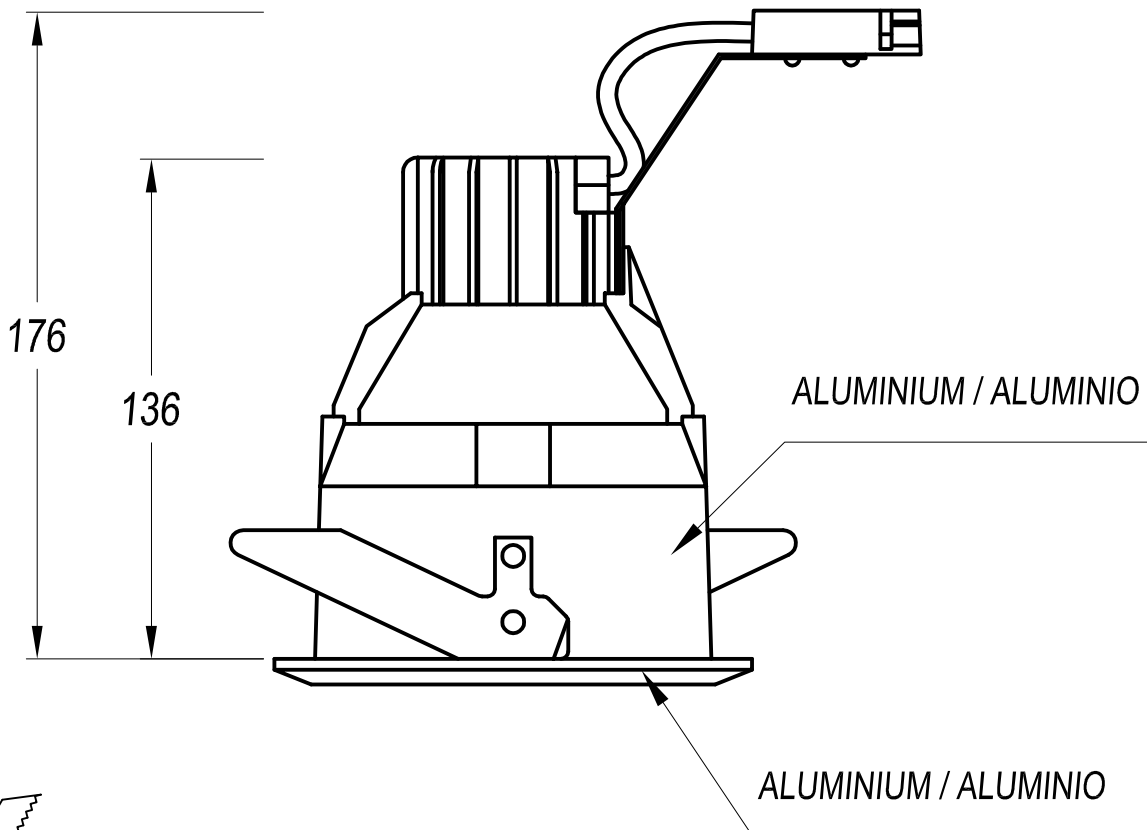
GEAR

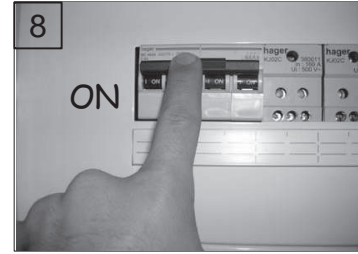
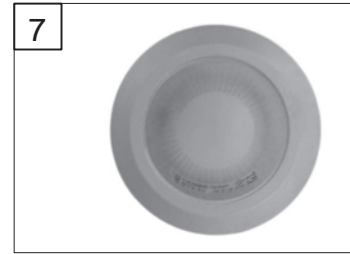
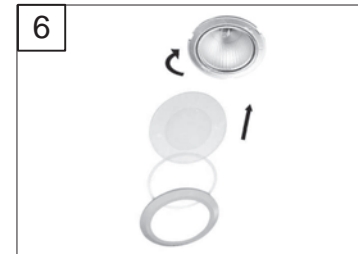
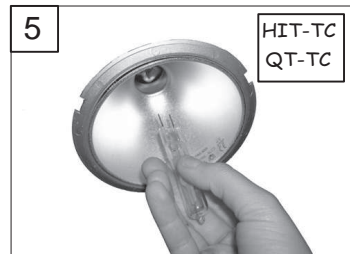
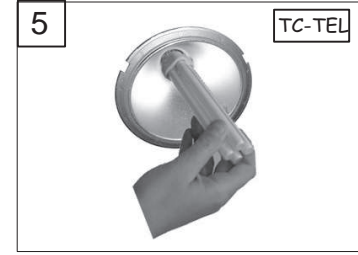
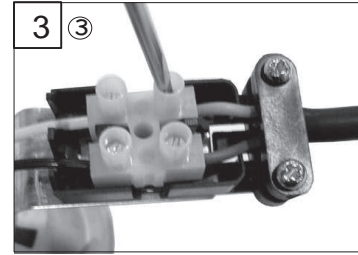
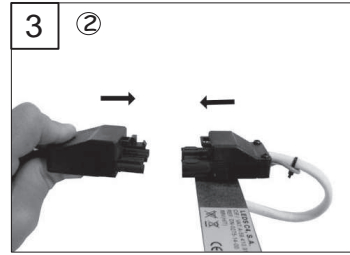
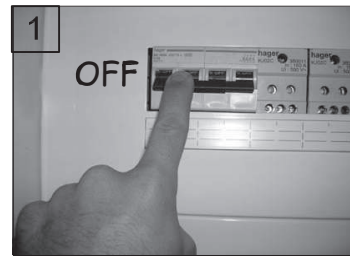
Necessary equipment not included. For more information check website / catalogs / sales organization.

Download photometric file .ldt / .ies



GLASS, FROSTED
IN THE CENTRE /
VIDRIO MATIZADO
EN EL CENTRO





REF.	Ø	LAMP	SOCKET	IP54	Ground
① DN-1000-N3-B9	Ø115	TC-TEL max. 26W	GX24q-3	IP54	Ground
① DN-1000-14-B9	Ø115	TC-TEL max. 26W	GX24q-3	IP54	Ground
① DN-1000-60-B9	Ø115	TC-TEL max. 26W	GX24q-3	IP54	Ground
① DN-1000-S2-B9	Ø115	TC-TEL max. 26W	GX24q-3	IP54	Ground
① DN-1006-N3-B9	Ø115	TC-TEL max. 26W	GX24q-3	IP54	Ground
① DN-1006-14-B9	Ø115	TC-TEL max. 26W	GX24q-3	IP54	Ground
① DN-1006-60-B9	Ø115	TC-TEL max. 26W	GX24q-3	IP54	Ground
① DN-1006-S2-B9	Ø115	TC-TEL max. 26W	GX24q-3	IP54	Ground
② DN-1001-N3-B9	Ø115	HIT-TC max. 70W	G8.5	IP54	Ground
② DN-1001-14-B9	Ø115	HIT-TC max. 70W	G8.5	IP54	Ground
② DN-1001-60-B9	Ø115	HIT-TC max. 70W	G8.5	IP54	Ground
② DN-1001-S2-B9	Ø115	HIT-TC max. 70W	G8.5	IP54	Ground
② DN-1007-N3-B9	Ø115	HIT-TC max. 70W	G8.5	IP54	Ground
② DN-1007-14-B9	Ø115	HIT-TC max. 70W	G8.5	IP54	Ground
② DN-1007-60-B9	Ø115	HIT-TC max. 70W	G8.5	IP54	Ground
② DN-1007-S2-B9	Ø115	HIT-TC max. 70W	G8.5	IP54	Ground
③ DN-1002-N3-B9	Ø115	QT-TC max. 60W	G8.5	IP54	Ground
③ DN-1002-14-B9	Ø115	QT-TC max. 60W	G8.5	IP54	Ground
③ DN-1002-60-B9	Ø115	QT-TC max. 60W	G8.5	IP54	Ground
③ DN-1002-S2-B9	Ø115	QT-TC max. 60W	G8.5	IP54	Ground
③ DN-1008-N3-B9	Ø115	QT-TC max. 60W	G8.5	IP54	Ground
③ DN-1008-14-B9	Ø115	QT-TC max. 60W	G8.5	IP54	Ground
③ DN-1008-60-B9	Ø115	QT-TC max. 60W	G8.5	IP54	Ground
③ DN-1008-S2-B9	Ø115	QT-TC max. 60W	G8.5	IP54	Ground