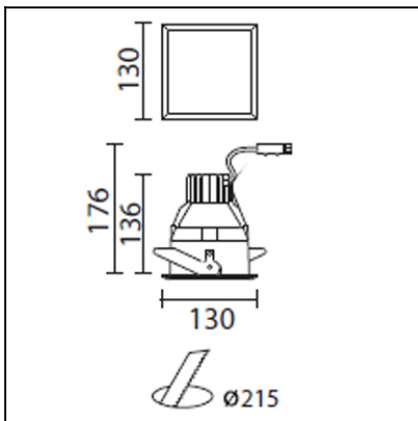


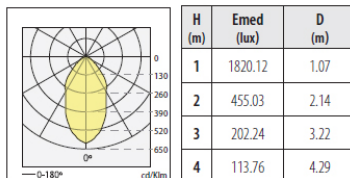
TRIMIUM S130 DN-1007-N3-B9



The photograph may not match the reference exactly. Please read the product description to identify the finish.



n° 30
TRIMIUM S130 HIT-TC 70W
 $\eta=57.900\%$



DESCRIPTION

Downlights suitable for recessed installation on ceilings. Body produced in 100% injected aluminium with a very high purity anodised aluminium reflector in a matt finish. For compact fluorescent lamps (95° beam) and discharge lamps (with 60° beam). Two models (round or square) and different finishes (white, grey and brushed aluminium). All units supplied with high protection glass preventing the infiltration of solid particles and liquids.

TECHNICAL CHARACTERISTICS

Type:	Downlight
IP Protection degrees:	IP54
Lampholder:	1 x G8.5
Power (W):	G8.5 70
Angle Optiques:	60°
Voltage / Frequency:	88V (HIT)
Warranty (Years):	2
Units per box:	1
Net Weight (Kg):	0.58
EAN:	8435111058312



MATERIALS / FINISHES

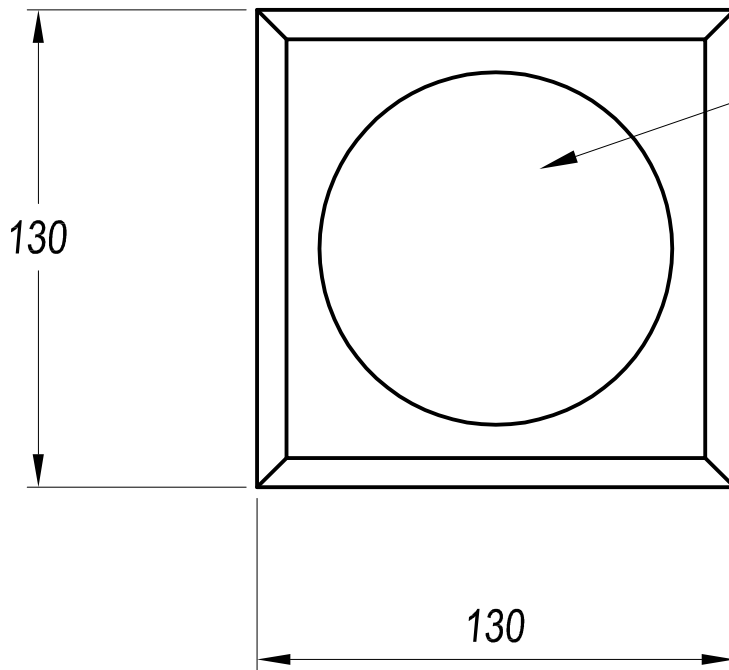
Structure material: Injected aluminium
Structure finish: Baked-on grey paint

Diffuser material: Tempered glass
Diffuser finish: Tinted

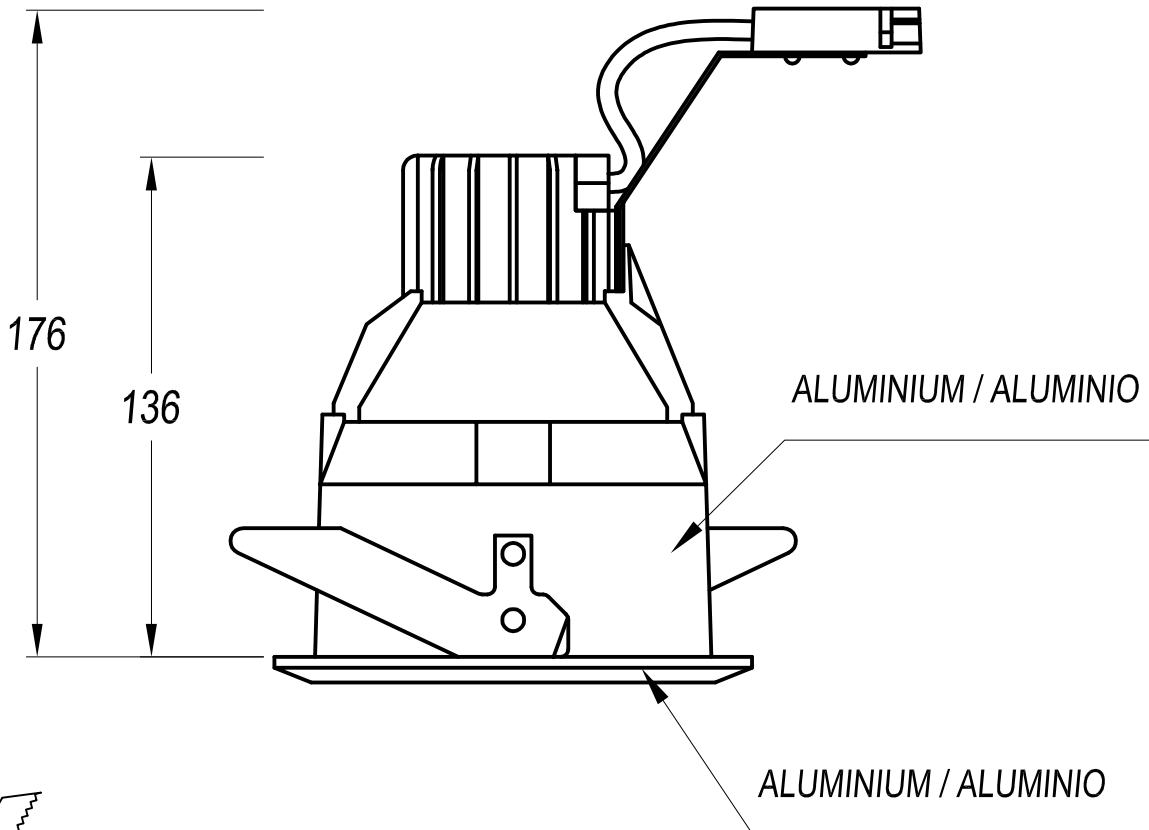
GEAR

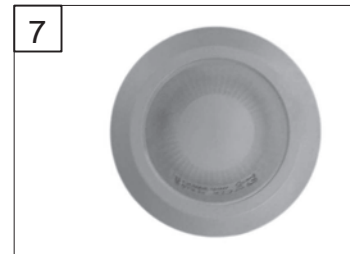
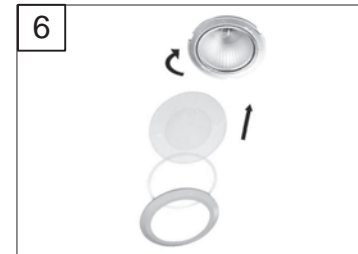
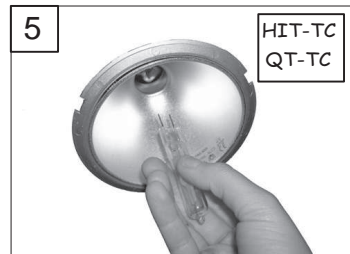
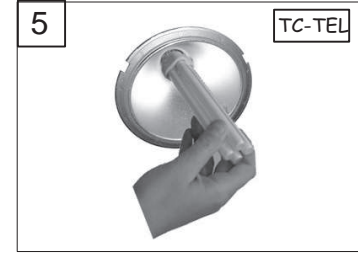
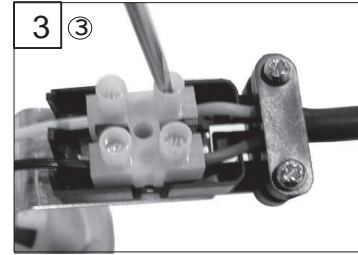
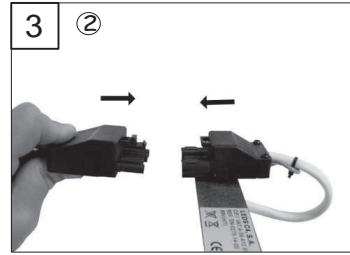
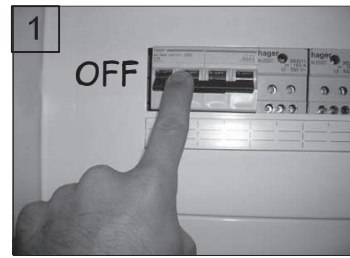
Necessary equipment not included. For more information check website / catalogs / sales organization.

Download photometric file .ldt / .ies



GLASS, FROSTED
IN THE CENTRE /
VIDRIO MATIZADO
EN EL CENTRO





REF.	\varnothing	LAMP	SOCKET		
① DN-1000-N3-B9	Ø115	TC-TEL max. 26W	GX24q-3		
① DN-1000-14-B9	Ø115	TC-TEL max. 26W	GX24q-3		
① DN-1000-60-B9	Ø115	TC-TEL max. 26W	GX24q-3		
① DN-1000-S2-B9	Ø115	TC-TEL max. 26W	GX24q-3		
① DN-1006-N3-B9	Ø115	TC-TEL max. 26W	GX24q-3		
① DN-1006-14-B9	Ø115	TC-TEL max. 26W	GX24q-3		
① DN-1006-60-B9	Ø115	TC-TEL max. 26W	GX24q-3		
① DN-1006-S2-B9	Ø115	TC-TEL max. 26W	GX24q-3		
② DN-1001-N3-B9	Ø115	HIT-TC max. 70W	G8.5		
② DN-1001-14-B9	Ø115	HIT-TC max. 70W	G8.5		
② DN-1001-60-B9	Ø115	HIT-TC max. 70W	G8.5		
② DN-1001-S2-B9	Ø115	HIT-TC max. 70W	G8.5		
② DN-1007-N3-B9	Ø115	HIT-TC max. 70W	G8.5		
② DN-1007-14-B9	Ø115	HIT-TC max. 70W	G8.5		
② DN-1007-60-B9	Ø115	HIT-TC max. 70W	G8.5		
② DN-1007-S2-B9	Ø115	HIT-TC max. 70W	G8.5		
③ DN-1002-N3-B9	Ø115	QT-TC max. 60W	G8.5		
③ DN-1002-14-B9	Ø115	QT-TC max. 60W	G8.5		
③ DN-1002-60-B9	Ø115	QT-TC max. 60W	G8.5		
③ DN-1002-S2-B9	Ø115	QT-TC max. 60W	G8.5		
③ DN-1008-N3-B9	Ø115	QT-TC max. 60W	G8.5		
③ DN-1008-14-B9	Ø115	QT-TC max. 60W	G8.5		
③ DN-1008-60-B9	Ø115	QT-TC max. 60W	G8.5		
③ DN-1008-S2-B9	Ø115	QT-TC max. 60W	G8.5		