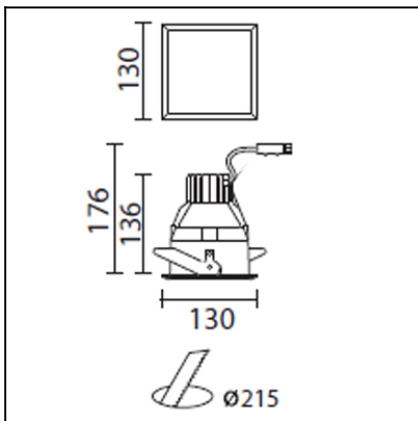


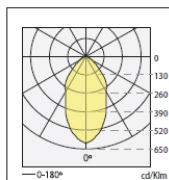
# TRIMIUM S130 DN-1007-S2-B9



The photograph may not match the reference exactly. Please read the product description to identify the finish.



n° 30  
TRIMIUM S130 HIT-TC 70W  
 $\eta=57.900\%$



H (m)	Emed (lux)	D (m)
1	1820.12	1.07
2	455.03	2.14
3	202.24	3.22
4	113.76	4.29

## DESCRIPTION

Downlights suitable for recessed installation on ceilings. Body produced in 100% injected aluminium with a very high purity anodised aluminium reflector in a matt finish. For compact fluorescent lamps (95° beam) and discharge lamps (with 60° beam). Two models (round or square) and different finishes (white, grey and brushed aluminium). All units supplied with high protection glass preventing the infiltration of solid particles and liquids.

## TECHNICAL CHARACTERISTICS

Type:	Downlight
IP Protection degrees:	IP54
Lampholder:	1 x G8.5
Power (W):	G8.5 70
Angle Óptiques:	60°
Voltage / Frequency:	88V (HIT)
Warranty (Years):	2
Units per box:	1
Net Weight (Kg):	0.58
EAN:	8435111058329



## MATERIALS / FINISHES

**Structure material:** Injected aluminium

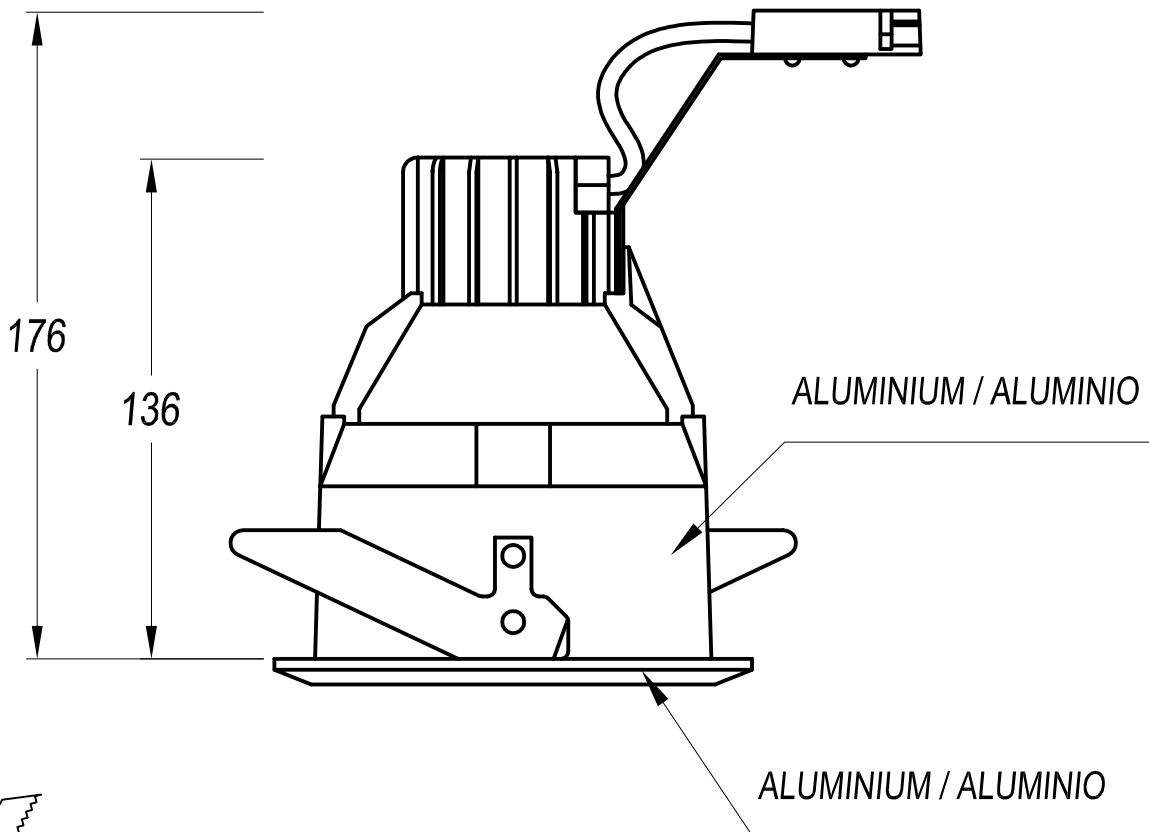
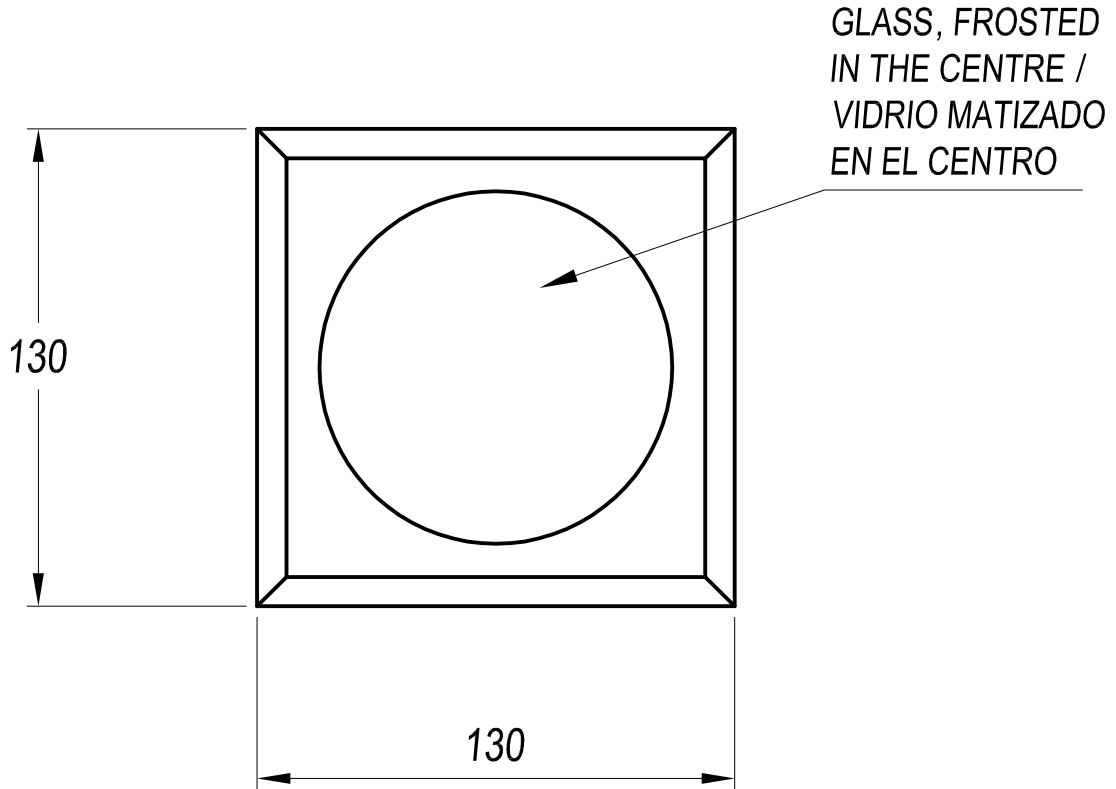
**Diffuser material:** Tempered glass

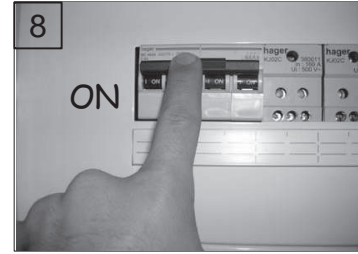
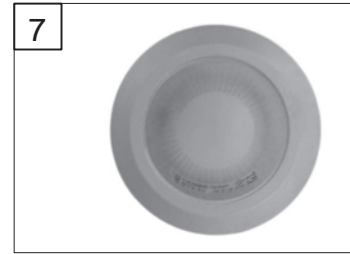
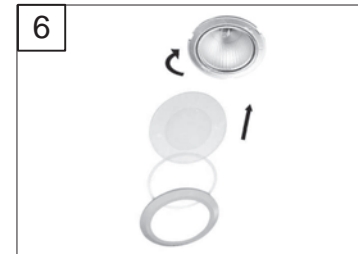
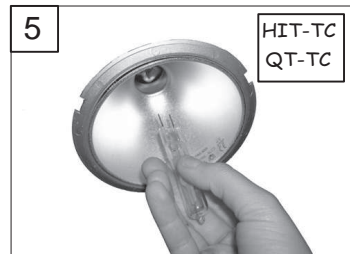
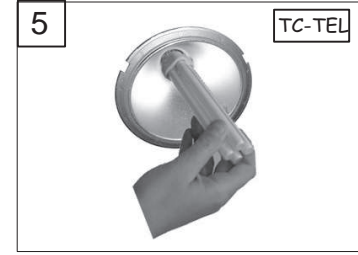
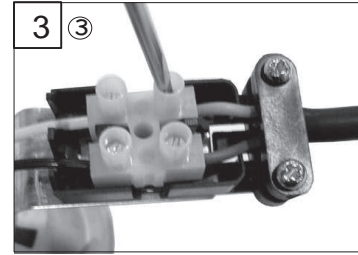
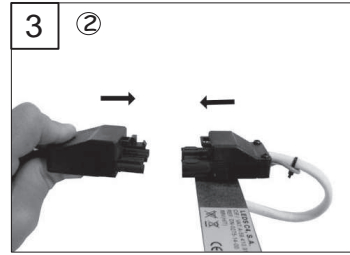
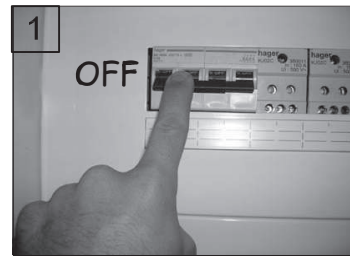
**Diffuser finish:** Tinted

## GEAR

Necessary equipment not included. For more information check website / catalogs / sales organization.

Download photometric file .ldt / .ies





REF.	Ø	LAMP	SOCKET	IP54	Ground
① DN-1000-N3-B9	Ø115	TC-TEL max. 26W	GX24q-3	IP54	Ground
① DN-1000-14-B9	Ø115	TC-TEL max. 26W	GX24q-3	IP54	Ground
① DN-1000-60-B9	Ø115	TC-TEL max. 26W	GX24q-3	IP54	Ground
① DN-1000-S2-B9	Ø115	TC-TEL max. 26W	GX24q-3	IP54	Ground
① DN-1006-N3-B9	Ø115	TC-TEL max. 26W	GX24q-3	IP54	Ground
① DN-1006-14-B9	Ø115	TC-TEL max. 26W	GX24q-3	IP54	Ground
① DN-1006-60-B9	Ø115	TC-TEL max. 26W	GX24q-3	IP54	Ground
① DN-1006-S2-B9	Ø115	TC-TEL max. 26W	GX24q-3	IP54	Ground
② DN-1001-N3-B9	Ø115	HIT-TC max. 70W	G8.5	IP54	Ground
② DN-1001-14-B9	Ø115	HIT-TC max. 70W	G8.5	IP54	Ground
② DN-1001-60-B9	Ø115	HIT-TC max. 70W	G8.5	IP54	Ground
② DN-1001-S2-B9	Ø115	HIT-TC max. 70W	G8.5	IP54	Ground
② DN-1007-N3-B9	Ø115	HIT-TC max. 70W	G8.5	IP54	Ground
② DN-1007-14-B9	Ø115	HIT-TC max. 70W	G8.5	IP54	Ground
② DN-1007-60-B9	Ø115	HIT-TC max. 70W	G8.5	IP54	Ground
② DN-1007-S2-B9	Ø115	HIT-TC max. 70W	G8.5	IP54	Ground
③ DN-1002-N3-B9	Ø115	QT-TC max. 60W	G8.5	IP54	Ground
③ DN-1002-14-B9	Ø115	QT-TC max. 60W	G8.5	IP54	Ground
③ DN-1002-60-B9	Ø115	QT-TC max. 60W	G8.5	IP54	Ground
③ DN-1002-S2-B9	Ø115	QT-TC max. 60W	G8.5	IP54	Ground
③ DN-1008-N3-B9	Ø115	QT-TC max. 60W	G8.5	IP54	Ground
③ DN-1008-14-B9	Ø115	QT-TC max. 60W	G8.5	IP54	Ground
③ DN-1008-60-B9	Ø115	QT-TC max. 60W	G8.5	IP54	Ground
③ DN-1008-S2-B9	Ø115	QT-TC max. 60W	G8.5	IP54	Ground