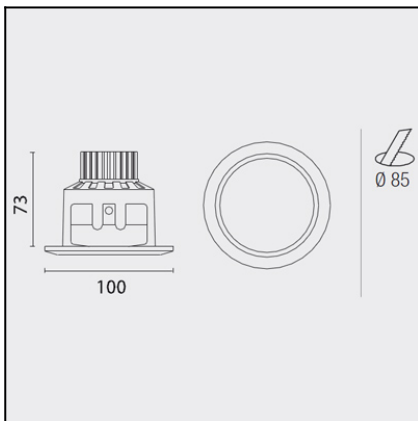


TRIMIUM S100 DN-1012-S2-B9



The photograph may not match the reference exactly. Please read the product description to identify the finish.



DESCRIPTION

Downlights suitable for flush mounted installation on ceilings. Body produced in 100% injected aluminium and very high purity anodised aluminium reflector in a shiny finish and a light beam of 55°. Suitable for halogen lamps and LED lamps. Two models (round and square) and different finishes (white, grey and brushed aluminium). All units supplied with high protection glass preventing the infiltration of solid particles and liquids. Option of incorporating a low-level light cross as an accessory.

TECHNICAL CHARACTERISTICS

Type:	Downlight
IP Protection degrees:	IP54
Lampholder:	1 x GU10
Power (W):	GU10 50
Total power consumption (W):	50
Voltage / Frequency:	220-240V/50-60Hz
Warranty (Years):	2
Units per box:	50
Net Weight (Kg):	0.31
EAN:	8435111080542,00



MATERIALS / FINISHES

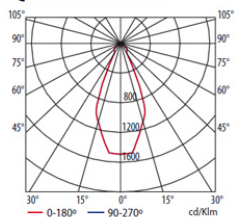
Structure material: Brushed aluminium

Diffuser material: Glass

Structure finish: Brushed

Diffuser finish: Transparent

QPAR-16 GU10

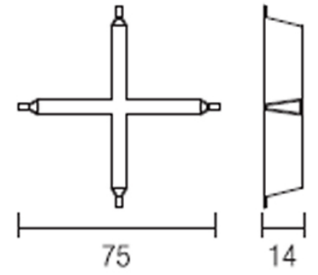


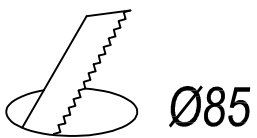
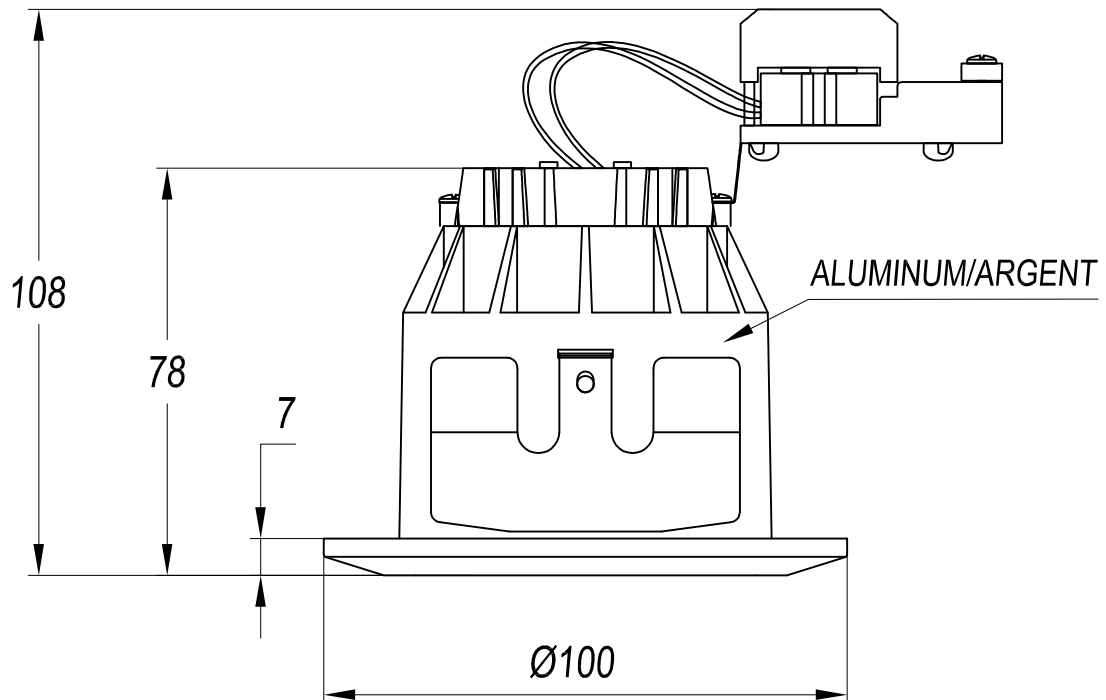
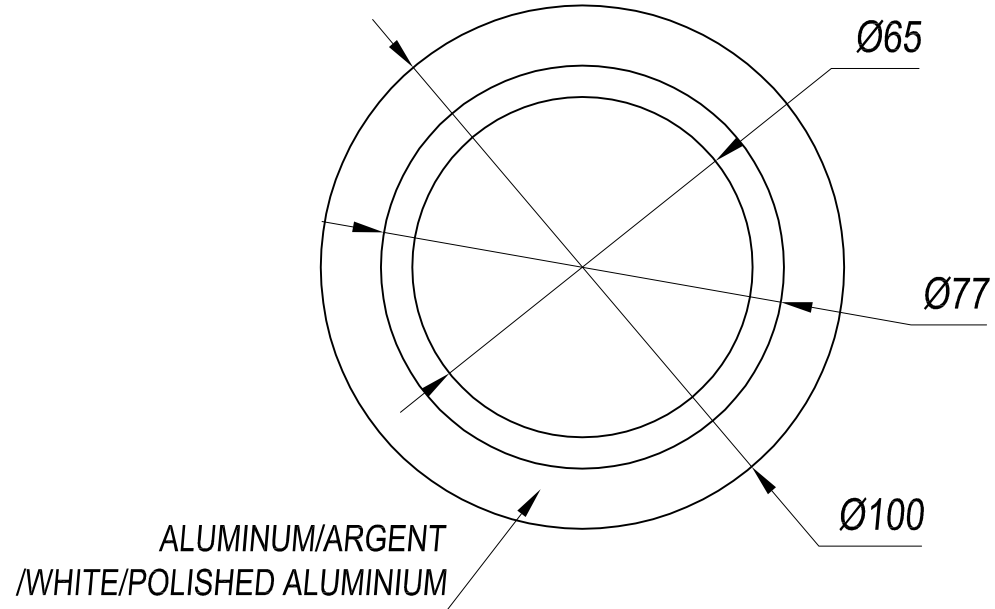
H (m)	Emed (lux)	D (m)
1	733	1.5
2	183	3
3	81	4.48
4	46	5.98

$\eta=100\%$

Download photometric file .ldt / .ies

ACT-0294-00-00

Low luminance cross louvre**Structure material:** Anodized aluminium



REF.	Ø	LAMP	SOCKET
DN-1012-14-B9	Ø85	GU10 max.50W	GU10
DN-1012-S2-B9	Ø85	GU10 max.50W	GU10
DN-1016-14-B9	Ø85	GU10 max.50W	GU10
DN-1016-S2-B9	Ø85	GU10 max.50W	GU10

