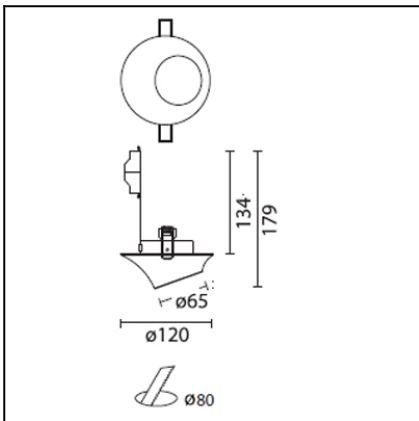


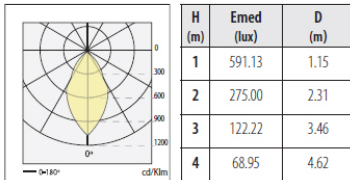
Design by Estudi Ribaudí



The photograph may not match the reference exactly. Please read the product description to identify the finish.



n° 08
QR-CBC51 50W 60°
η=100 %

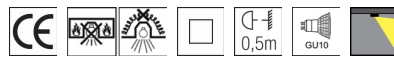


DESCRIPTION

Multifunction flush mounted wall lights with injected aluminium body. Available in different versions for halogen lamps, discharge lamps, compact fluorescent lamps (ballast included) and LED lamps. Finished in matt white or anodised silver. For the matt white option the unit may be completely flush fitted into the architecture with the use of thermoplastic paint. The two asymmetric models allow the lamp to be tilted up to an angle of 60° on the vertical axis and its double lower chassis allows the light to be focused up to an angle of up to 355° horizontally.

TECHNICAL CHARACTERISTICS

Type:	Downlight
Adjustable from 0° to 50° on the horizontal axis	
IP Protection degrees:	IP23
Voltage / Frequency:	12V/50Hz
Warranty (Years):	2
Units per box:	8
Net Weight (Kg):	0.2
EAN:	8435111059548,00



MATERIALS / FINISHES

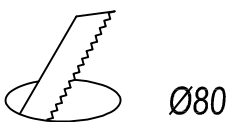
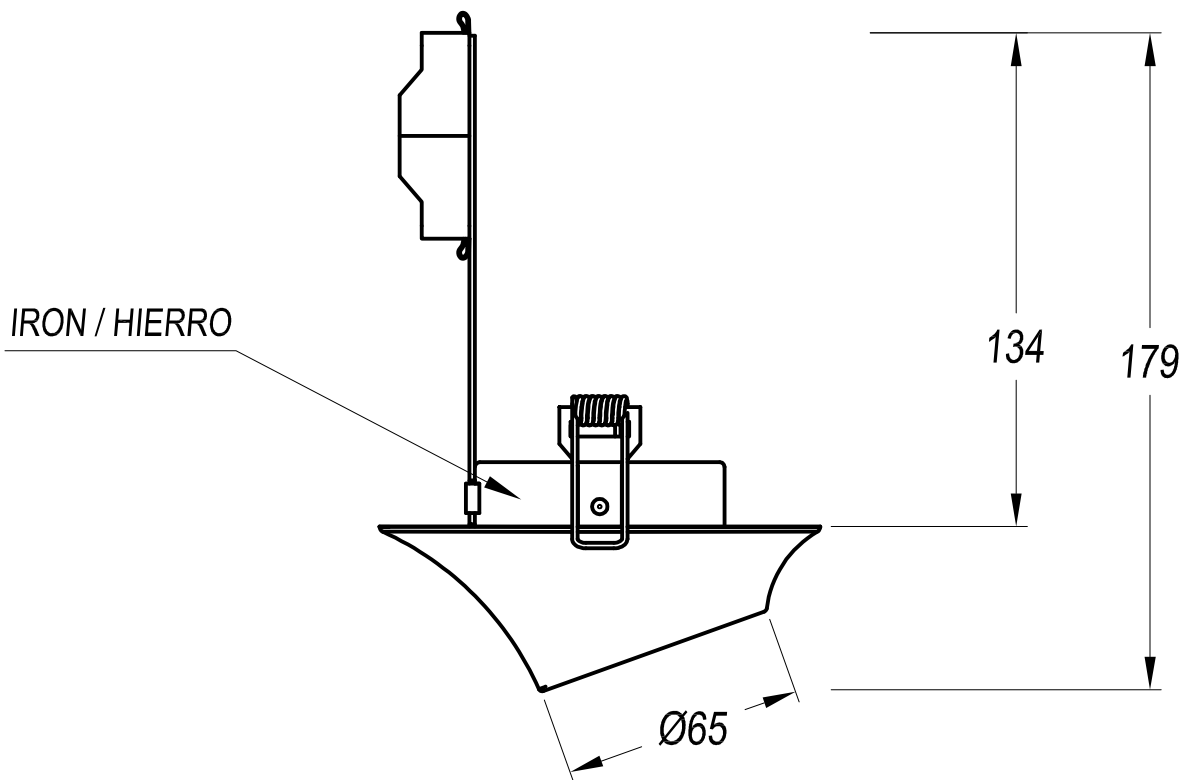
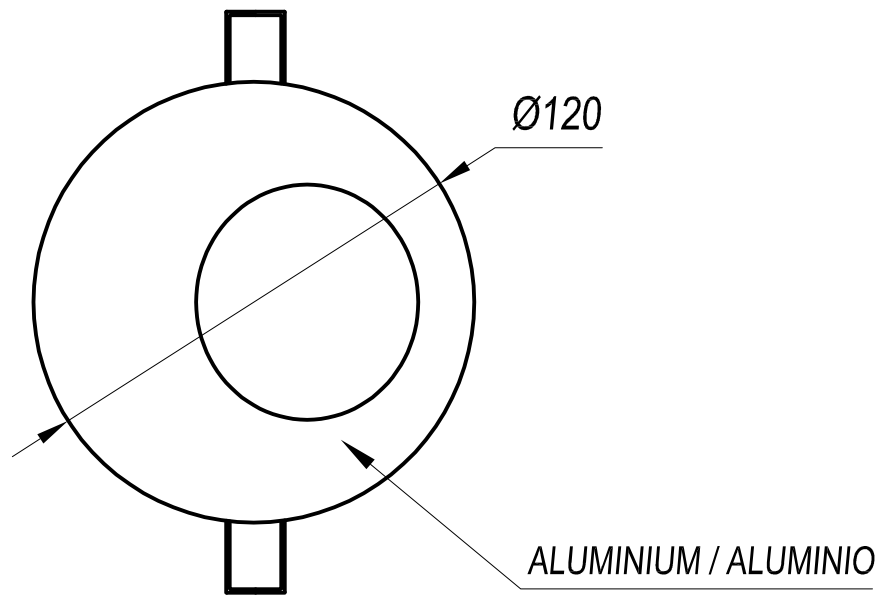
Structure material: Injected aluminium

Structure finish: White


GEAR








Necessary equipment not included. For more information check website / catalogs / sales organization.

Download photometric file .ldt /.ies



N° 83

REF.		LAMP	SOCKET
DN-1303-14-00	∅ 80	QR-CBC51 max. 50W	GU5.3
DN-1303-J2-00	∅ 80	QR-CBC51 max. 50W	GU5.3
DN-1304-14-00	∅ 80	QR-CBC51 max. 50W	GU5.3
DN-1304-J2-00	∅ 80	QR-CBC51 max. 50W	GU5.3

-  IP20 
-  IP20 
-  IP20 
-  IP20 